

Series L7 Motor Disconnect Switches up to 100A

Sprecher + Schuh's L7 line incorporates the latest modular design techniques to provide maximum functionality with the fewest number of parts. These rugged switches are compact, reliable and the ideal choice for all disconnect applications including motor disconnects per UL-508 Part III. A device under this UL listing meets the requirements as a motor controller or "at motor disconnect."



UL508 approved device "suitable as motor disconnect"

Just the right switch for your application

L7 Disconnect Switches are available in four frame sizes up to 100 amps. The smaller L7s come in six pole models, as well as three pole changeover switches. A full complement of switch handles and accessories including auxiliary contact blocks, ground and neutral terminals make the L7 line broad enough to tackle virtually any disconnect duty.

Modular, flexible and easy to assemble

The versatile L7 line is fully modular. All accessories snap-on and off without the use of tools, speeding assembly. The L7's modular design minimizes inventory with features such as universal auxiliary contact blocks... virtually every block fits all frame sizes. Both metal and plastic shaft extension systems are available to accommodate most panel depths.

TIP!



Meets the toughest safety standards

A generous 9mm gap between open contacts, combined with high short circuit withstand capabilities ensures a minimum probability of welding. All switches are touch safe to IP20, while most switch handles are rated for strong water jets to IP66. Excellent making and breaking characteristics provide a level of safety that, in many cases, exceeds international standards.

International standards and approvals

L7 Motor Disconnect Switches are UL Listed (UL508, Part III) and CSA approved (C22.2 No. 14). They also carry the CE Mark and meet IEC 947-1, 947-3, as well as IEC 207 requirements. They are approved in virtually every international market.



L7 Disconnect Switches

To learn the basic differences between control, load and fusible disconnect switches and how to apply them, see our white paper Tech-LMSD in the online library.



36mm
(≈1 13/32")

16A



45mm
(≈1 3/4")

25A
32A



54mm
(≈2 1/8")

40A
63A



72mm
(≈2 13/16")

80A
100A

Full range of enclosed disconnects for any job

From “do-it-yourself” to fully assembled, we offer a complete selection of three, four and six pole enclosed disconnects for any industrial application.

The most economical choice is to configure your own design (Figure 1) by selecting one of the non-UL/CSA Approved

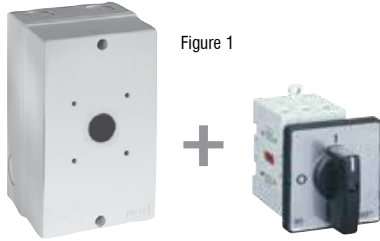


Figure 1

ABS or Noryl enclosures from page L17 and completing it with your choice of L7 switch from pages L4 ...L6. These enclosed disconnects are suitable for use in NEMA 4 type applications (not UL Listed).

An assembled version of this enclosed disconnect is available with LA7 three or six poles from page L6 (Figure 2).



Figure 2

A broad selection of assembled UL Enclosed disconnects are available on pages L14 and L15. Painted metal, stainless steel, polyester-fiberglass, and ABS (IP66) enclosures with three, four and six pole disconnect switches are available with all accessories (Figure 3).



Figure 3

How to order L7 motor disconnect switches

A complete L7 Motor Disconnect Switch is ordered with as little as two catalog numbers. The first number specifies the switch body and the second specifies the switch handle assembly. All L7 switch bodies come standard with

a shaft and mounting screws for the switch handle assembly. Accessories such as shaft extensions and auxiliary contact blocks are ordered separately.

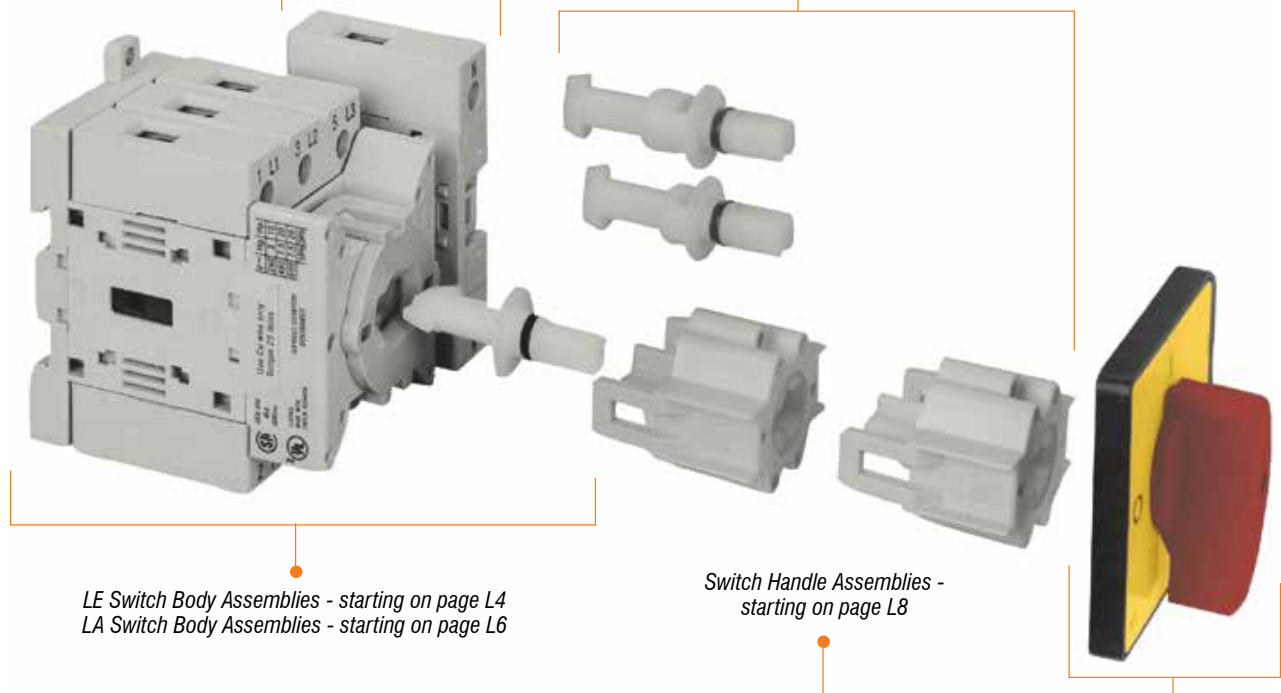
First determine the switch you need from pages L4...L6. Then turn to page L8 and L9 to choose a switch handle assembly.

If necessary, see page L12 and L13 to determine the type and length of shaft extension you require.

Auxiliary contact blocks, fourth poles, ground terminals and neutral terminals are found on page L10.

Side Mount Accessories - page L10
Miscellaneous Accessories - page L11

Modular Shaft Extensions (LA only) - page L12
Metal Shaft Extensions (LA only) - page L13



LE Switch Body Assemblies - starting on page L4
LA Switch Body Assemblies - starting on page L6

Switch Handle Assemblies - starting on page L8



L7 Disconnect Switches

Front Mounted 3 Pole Switches - 90° Throw ①③

<p>3 Pole</p>	<p>Plastic</p>		<p>Plastic</p>		<p>Metal</p>	
	Catalog Number	Price	Catalog Number	Price	Catalog Number	Price
3 Pole >	LE7-16-1753	59.80	LE7-25-1753	73.68	LE7-32-1753	77.95
Amp Rating (encl.)						
UL/CSA	16		25		32	
IEC/VDE/BS	16		25		32	
3Ø Horsepower						
240V	3		5		7.5	
480V	7.5		10		15	
600V	10		10		15	
1Ø Horsepower						
120V	1		1		1	
240V	2		2		3	
Dimension - mm (inches)	63 (2-31/64) - Height 36 (1-27/64) - Width 51 (2-1/64) - Depth ②		63 (2-31/64) - Height 45 (1-49/64) - Width 60 (2-23/64) - Depth ②		72 (2-55/64) - Height 54 (2-1/8) - Width 74 (2-29/32) - Depth ②	

L7 Disconnect Switches

<p>3 Pole</p>	<p>Metal</p>	
	Catalog Number	Price
3 Pole >	LE7-80-1753	175.12
Amp Rating (encl.)		
UL/CSA	80	100
IEC/VDE/BS	80	100
3Ø Horsepower		
240V	25	30
480V	40	50
600V	50	50
1Ø Horsepower		
120V	5	7.5
240V	10	15
Dimension - mm (inches)	90 (3-35/64) - Height 72 (2-27/32) - Width 90 (3-35/64) - Depth ②	

① Fourth pole side-mounted module available. See page L10.
② Dimension without shaft.

③ Switch Handle position

Front Mounted 3 Pole Changeover Switches and 6 Pole Switches - 90° Throw ①

<p><i>Changeover</i> (Center OFF)</p> <p>6 Pole</p>	<p>Metal</p>		<p>Metal</p>		<p>Metal</p>		<p>Metal</p>		<p>Metal</p>	
	Catalog Number	Price	Catalog Number	Price	Catalog Number	Price	Catalog Number	Price	Catalog Number	Price
Changeover >	LE7-16-3753	101.45	LE7-25-3753	133.48	LE7-32-3753	147.35	LE7-40-3753	184.74	LE7-63-3753	211.42
6 Pole >	LE7-16-1756	119.59	LE7-25-1756	148.43	LE7-32-1756	152.70	LE7-40-1756	194.34	LE7-63-1756	217.83
Amp Rating (encl.)										
UL/CSA	16		25		32		40		63	
IEC/VDE/BS	16		25		32		40		63	
3Ø Horsepower										
240V	3		5		7.5		10		15	
480V	7.5		10		15		20		25	
600V	10		10		15		20		25	
1Ø Horsepower										
120V	1		1		1		2		3	
240V	2		2		1		3		5	
Dimension - mm (inches)	63 (2-31/64) - Height 90 (3-35/64) - Width 76 (3) - Depth ②		63 (2-31/64) - Height 90 (3-35/64) - Width 85 (3-11/32) - Depth ②		72 (2-55/64) - Height 108 (4-1/4) - Width 99 (3-57/64) - Depth ②					

<p><i>Changeover</i> (Center OFF)</p> <p>6 Pole</p>	<p>Metal</p>		<p>Metal</p>	
	Catalog Number	Price	Catalog Number	Price
Changeover >	LE7-80-3753	317.15	LE7-100-3753	414.31
6 Pole >	LE7-80-1756	347.05	LE7-100-1756	454.89
Amp Rating (encl.)				
UL/CSA	80		100	
IEC/VDE/BS	80		100	
3Ø Horsepower				
240V	25		30	
480V	40		50	
600V	50		50	
1Ø Horsepower				
120V	5		7.5	
240V	10		15	
Dimension - mm (inches)	90 (3-35/64) - Height 144 (5-43/64) - Width 115 (4-17/32) - Depth ②			

① 3 Pole Changeover Switch has center OFF - 1. 2
 ② Dimension without shaft.

Base Mounted 3 Pole Switches - 90° Throw ①②

<p>3 Pole</p>	<p>Plastic</p>		<p>Plastic</p>		<p>Metal</p>					
	Catalog Number	Price	Catalog Num.	Price	Catalog Num.	Price	Catalog Num.	Price	Catalog Num.	Price
3 Pole >	LA7-16-1753	71.55	LA7-25-1753	85.42	LA7-32-1753	92.90	LA7-40-1753	109.99	LA7-63-1753	137.75
Amp Rating (encl.)										
UL/CSA	16		25		32		40		63	
IEC/VDE/BS	16		25		32		40		63	
3Ø Horsepower										
240V	3		5		7.5		10		15	
480V	7.5		10		15		20		25	
600V	10		10		15		20		25	
1Ø Horsepower										
120V	1		1		1		2		3	
240V	2		2		3		3		5	
Dimension - mm (inches)	63 (2-31/64) - Height 36 (1-27/64) - Width 51 (2-1/64) - Depth ②		63 (2-31/64) - Height 45 (1-49/64) - Width 60 (2-23/64) - Depth ②		72 (2-55/64) - Height 54 (2-1/8) - Width 74 (2-29/32) - Depth ②					

<p>3 Pole</p>	<p>Metal</p>			
	Catalog Num.	Price	Catalog Num.	Price
3 Pole >	LA7-80-1753	198.62	LA7-100-1753	242.39
Amp Rating (encl.)				
UL/CSA	80		100	
IEC/VDE/BS	80		100	
3Ø Horsepower				
240V	25		30	
480V	40		50	
600V	50		50	
1Ø Horsepower				
120V	5		7.5	
240V	10		15	
Dimension - mm (inches)	90 (3-35/64) - Height 72 (2-27/32) - Width 90 (3-35/64) - Depth ②			

L7 Disconnect Switches

① Fourth pole side-mounted module available. See page L10.
② Dimension without shaft.



Base Mounted 3 Pole Changeover and 6 Pole Switches - 90° Throw ①②

<p><i>Changeover</i> (Center OFF)</p>	<p>Metal</p>	<p>Metal</p>	<p>Metal</p>	Catalog Number	Price	Catalog Number	Price	Catalog Number	Price	Catalog Number	Price	Catalog Number	Price
				LA7-16-3753	115.32	LA7-25-3753	147.35	LA7-32-3753	168.71	LA7-40-3753	213.57	LA7-63-3753	268.03
<p><i>6 Pole</i></p>	LA7-16-1756	142.03	LA7-25-1756	170.85	LA7-32-1756	191.15	LA7-40-1756	222.10	LA7-63-1756	279.77			
<p>Changeover ></p>													
<p>6 Pole ></p>													
<p>Amp Rating (encl.)</p> <p>UL/CSA</p> <p>IEC/VDE/BS</p>	16	25	32	40	63								
<p>3Ø Horsepower</p> <p>240V</p> <p>480V</p> <p>600V</p>	3	5	7.5	10	15								
<p>1Ø Horsepower</p> <p>120V</p> <p>240V</p>	1	1	1	2	3								
<p>Dimension - mm (inches)</p>	63 (2-31/64) - Height 90 (3-35/64) - Width 85 (3-11/32) - Depth ②		63 (2-31/64) - Height 90 (3-35/64) - Width 89 (3-1/2) - Depth ②		72 (2-55/64) - Height 108 (4-1/4) - Width 103 (4-1/16) - Depth ②								

<p><i>Changeover</i> (Center OFF)</p>	<p>Metal</p>	Catalog Number	Price	Catalog Number	Price
		LA7-80-3753	356.65	LA7-100-3753	443.14
<p><i>6 Pole</i></p>	LA7-80-1756	396.17	LA7-100-1756	489.06	
<p>Changeover ></p>					
<p>6 Pole ></p>					
<p>Amp Rating (encl.)</p> <p>UL/CSA</p> <p>IEC/VDE/BS</p>	80	100			
<p>3Ø Horsepower</p> <p>240V</p> <p>480V</p> <p>600V</p>	25	30			
<p>1Ø Horsepower</p> <p>120V</p> <p>240V</p>	5	7.5			
<p>Dimension - mm (inches)</p>	90 (3-35/64) - Height 144 (5-43/64) - Width 119 (4-17/32) - Depth ②				

- ① 3 Pole Changeover Switch has center OFF — 2
- ② Dimension without shaft.
- ③ Insert LA2-G3399 is required for 3-position changeover switches when using LA2-G339_ metal shaft extensions.

L7 Disconnect Switches

Switch Handle Assemblies (LA and LE Switches)



Switch Handle Assembly ❶	Color	Mounting Method	Protection Rating	For use with...	Frame Size	Legend ❷	Catalog Number	Price
 Type A	Silver Legend ❷ Black Knob	Screw Fixing ❶	Type 12, IP66	LA/LE7-16...63A	48 X 48	0-I OFF-ON 1-0-2 ❸	LFS2-A-4-175 LFS2-A-4-175I LFS2-A-4-375	10.20
			Type 12, IP66	LA/LE7-25...100A ❹	64 X 64	0-I OFF-ON 1-0-2 ❸	LFS2-A-6-175 LFS2-A-6-175I LFS2-A-6-375	13.50
			Type 12, IP66	LA/LE7-40...100A	88 X 88	0-I OFF-ON 1-0-2 ❸	LFS2-A-8-175 ❺ LFS2-A-8-175I ❺ LFS2-A-8-375	39.40
		Central Nut	Type 12, IP66	LE7-16...63A	48 X 48	0-I OFF-ON	LFC2-A-4-175 LFC2-A-4-175I	14.20
 Type E	Silver Legend ❷ Black Knob ❸	Screw Fixing ❶	Type 12, IP66	LA/LE7-16...63A	48 X 48	0-I OFF-ON 1-0-2 ❸	LFS2-E-4-175 LFS2-E-4-175I LFS2-E-4-375	15.40
			Type 12, IP66	LA/LE7-25...100A ❹	64 X 64	0-I OFF-ON 1-0-2 ❸	LFS2-E-6-175 LFS2-E-6-175I LFS2-E-6-375	19.10
		Central Nut	Type 12, IP66	LE7-16...63A	48 X 48	0-I OFF-ON	LFC2-E-4-175 LFC2-E-4-175I	16.30
 Type I	Yellow Legend ❷ Red Knob	Screw Fixing ❶	Type 12, IP66	LA/LE7-16...63A	48 X 48	0-I OFF-ON 1-0-2 ❸	LFS2-I-4-175 LFS2-I-4-175I LFS2-I-4-375	10.20
			Type 12, IP66	LA/LE7-25...100A ❹	64 X 64	0-I OFF-ON 1-0-2 ❸	LFS2-I-6-175 LFS2-I-6-175I LFS2-I-6-375	13.50
			Type 12, IP66	LA/LE7-40...100A	88 X 88	0-I OFF-ON 1-0-2 ❸	LFS2-I-8-175 ❺ LFS2-I-8-175I ❺ LFS2-I-8-375	39.40
		Central Nut	Type 12, IP66	LE7-16...63A	48 X 48	0-I OFF-ON	LFC2-I-4-175 LFC2-I-4-175I	16.30
 Type L	Yellow Legend ❷ Red Knob ❸	Screw Fixing ❶	Type 12, IP66	LA/LE7-16...63A	48 X 48	0-I OFF-ON 1-0-2 ❸	LFS2-L-4-175 LFS2-L-4-175I LFS2-L-4-375	15.40
			Type 12, IP66	LA/LE7-25...100A ❹	64 X 64	0-I OFF-ON	LFS2-L-6-175 LFS2-L-6-175I	18.90
		Central Nut	Type 12, IP66	LE7-16...63A	48 X 48	0-I OFF-ON	LFC2-L-4-175 LFC2-L-4-175I	16.30

L
L7 Disconnect Switches



- ❶ Mounting screws included with Switch Body Assembly.
- ❷ For blank legend plate, substitute "000" for last three digits in catalog number.
Example: LFS2-A-4-000.
- ❸ Lockable in OFF position, ON position or both.
- ❹ Only for use with 3 Pole Changeover switch.

- ❺ Only for use with LA/LE7-25...63 three pole Changeover Switches. Use 88 x 88 Switch Handle for 80 and 100A Changeover Switch.
- ❻ This handle cannot be used on a mechanical coupling accessory L2-G3* when coupling any LE7 switches. Must select smaller 48x48 or 64x64 type handles for LE7 coupling applications.

Switch Handle Assemblies (LA and LE Switches) ②

Switch Handle Assembly	Color	Mounting Method	Protection Rating	For use with...	Frame Size	Legend	Catalog Number	Price
 <p>Type G</p>	Gray Frame Black Handle	Screw Fixing ①	Type 12, IP66	LA/LE7-16	54 x 54	0 — I OFF — ON	LFS7-G-4-175	15.00
			Type 12, IP66	LA7-16...100A LE7-25...100A	67 x 67	0 — I OFF — ON	LFS2-G-6-175	25.30
			Type 12, IP66	LA/LE7-40...100A	90 x 90	0 — I OFF — ON	LFS2-G-8-175 ③	46.30
		Central Nut	Type 12, IP66	LE7-16...63A	67 x 67	0 — I OFF — ON	LFC2-G-6-175	28.50
 <p>Type N</p>	Yellow Frame Red Handle	Screw Fixing ①	Type 12, IP66	LA/LE7-16	54 x 54	0 — I OFF — ON	LFS7-N-4-175	15.00
			Type 12, IP66	LA7-16...100A LE7-25...100A	67 x 67	0 — I OFF — ON	LFS2-N-6-175	25.30
			Type 12, IP66	LA/LE7-40...100A	90 x 90	0 — I OFF — ON	LFS2-N-8-175 ③	46.30
		Central Nut	Type 12, IP66	LE7-16...63A	67x67	0 — I OFF — ON	LFC2-N-6-175	28.50

Switch Handle Assemblies for LA7 Switches - Type 4/4X ①②③④⑤

Switch Handle Assembly	Mounting Method	Protection Rating	For use with...	Frame Size	Legend	Color	Catalog Number	Price
 <p>Type R</p>	Screw Fixing Configurable for defeatable or non-defeatable	Type 3R, 3, 12, 4, 4X IP66	LA7-16...100A	48.7 x 47	0 — I OFF — ON	Black Frame Black Handle	LA7-SB	47.40
		Type 3R, 3, 12, 4, 4X IP66		48.7 x 47	0 — I OFF — ON	Yellow Frame Red Handle	LA7-SY	47.40
 <p>Type R</p>	Screw Fixing Configurable for defeatable or non-defeatable	Type 3R, 3, 12, 4, 4X	LA7-16...100A	80 x 114	0 — I OFF — ON	Black Frame Black Handle	L11-PB	See page L30
		Type 3R, 3, 12, 4, 4X		80 x 114	0 — I OFF — ON	Yellow Frame Red Handle	L11-PY	See page L30

- ① Mounting screws included with Switch Body Assembly.
- ② Lockable in OFF position with up to 3 padlocks.
- ③ For LA7 base mount switches only.
- ④ Switch handle can be field modified to be defeatable or non-defeatable.

- ⑤ Handles LA7-S_ and L11-P_ require R-type Switch Handle Shaft Extension. See page L13.
- ⑥ This handle cannot be used on a mechanical coupling accessory L2-G3* when coupling any LE7 switches. Must select smaller 48x48 or 64x64 type handles for LE7 coupling applications.

Auxiliary Contact Blocks ②

Aux. Contact Block	Contact Configuration	For use with...	Catalog Number	Price
One NO (Early Break) ①				
		LE7-16 LE7-25...100	LE7-16-P-D10 LE7-P-D10	45.40 45.40
		LA7-16 LA7-25...100	LA7-16-P-D10 LA7-P-D10	45.40 45.40
One NO and One NC (Instantaneous)				
		LE7-16...100	LE7-P-11	45.40
		LA7-16...100	LA7-P-11	45.40
One NOEM and One NCLB (Make Before Break)				
		LE7-16...100	LE7-PL-11	45.40
		LA7-16...100	LA7-PL-11	45.40
Two NO and Two NC (Instantaneous)				
		LE7-16...100	LE7-P-22	90.80
		LA7-16...100	LA7-P-22	90.80

Fourth Pole ②

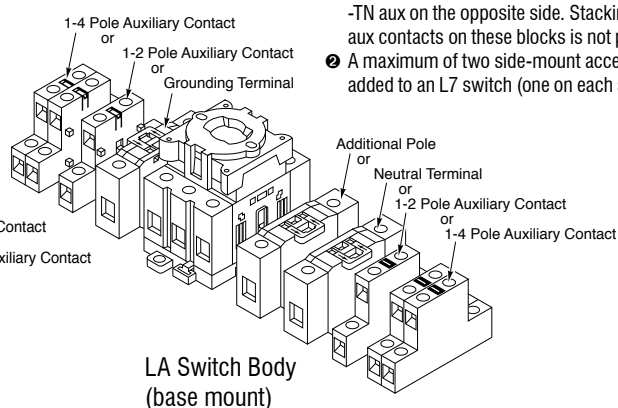
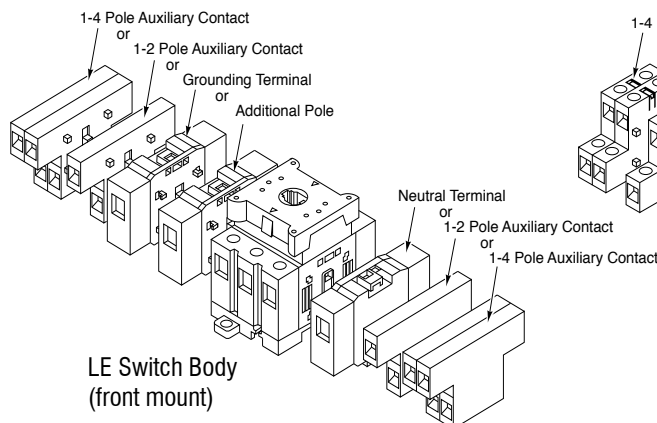
Fourth Pole	Contact Configuration	For use with...	Catalog Number	Price
Early Make-Late Break				
		LE7-16	LE7-16-NP	28.20
		LE7-25	LE7-25-NP	31.20
		LE7-32	LE7-32-NP	38.60
		LE7-40	LE7-40-NP	42.80
		LE7-63	LE7-63-NP	51.50
		LE7-80	LE7-80-NP	60.00
		LE7-100	LE7-100-NP	75.90
		LA7-16	LA7-16-NP	28.20
		LA7-25	LA7-25-NP	31.20
		LA7-32	LA7-32-NP	38.60
LA7-40	LA7-40-NP	42.80		
LA7-63	LA7-63-NP	51.50		
LA7-80	LA7-80-NP	60.00		
LA7-100	LA7-100-NP	75.90		

Ground & Neutral Terminals ②

Terminal	Contact Configuration	For use with...	Catalog Number	Price
Ground Terminal				
		LA7-16	LA7-16-PE	23.20
		LA7-25 & 32	LA7-32-PE	23.50
		LA7-40 & 63	LA7-63-PE	31.20
		LA7-80 & 100	LA7-100-PE	47.20
		LE7-16	LE7-16-PE	23.20
		LE7-25 & 32	LE7-32-PE	23.20
LE7-40 & 63	LE7-63-PE	31.00		
LE7-80 & 100	LE7-100-PE	45.40		
Neutral Terminal				
		LA7-16	LA7-16-TN	23.20
		LA7-25 & 32	LA7-32-TN	23.50
		LA7-40 & 63	LA7-63-TN	31.20
		LA7-80 & 100	LA7-100-TN	47.20
		LE7-16	LE7-16-TN	23.20
		LE7-20 & 32	LE7-32-TN	22.40
LE7-40 & 63	LE7-63-TN	31.00		
LE7-80 & 100	LE7-100-TN	45.40		

L Accessory Mounting Guide






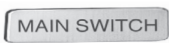

Various accessories can be mounted simultaneously on both the LA7 (base mount) and LE7 (front mount) switch bodies. The drawings below illustrate which combinations are possible.



- ① All N.O. Early Break Contact Blocks mount on the left and/or right side by themselves, or with -NP, -PE, -TN aux on the opposite side. Stacking additional aux contacts on these blocks is not possible.
- ② A maximum of two side-mount accessories may be added to an L7 switch (one on each side)


L7 Disconnect Switches

L7 Switch Accessories

Accessory	Description	Catalog Number	Price Each
 <p>(Reducer included)</p>	<p>End Shaft - for LE switch ②</p> <ul style="list-style-type: none"> Replacement 44mm shaft supplied standard with all switches Sold only in packages of 5. Order 5 pieces to receive 1 pkg of 5. 	<p>Plastic L2-G3380</p> <p>Metal L7-G3688 ①</p>	<p>5.47</p> <p>11.10</p>
	<p>Terminal cover - 3 pole</p> <p>LE/LA7-16 LE/LA7-25/32 LE/LA7-40/63 LE/LA7-80/100</p>	<p>L7-16-C3 L7-25-C3 L7-40-C3 L7-80-C3</p>	<p>8.05 9.18 11.10 15.20</p>
	<p>Terminal cover - 4 pole</p> <p>LE/LA7-25/32 LE/LA7-40/63 LE/LA7-80/100</p>	<p>L7-25-C4 L7-40-C4 L7-80-C4</p>	<p>11.10 14.40 19.70</p>
	<p>6 Pole Mechanical Coupling - ②③</p> <p>joins two L7 switches (front or base mount) to form a 6 pole switch (includes 44 mm metal End Shafts for both LE and LA switch)</p> <p>LE7-16 LE/LA7-25 & 32 LE/LA7-40 & 63 LE/LA7-80 & 100</p>	<p>L7-G3821 L7-G3660 L7-G3661 L7-G3662</p>	<p>34.40 43.10 50.40 53.10</p>
	<p>Snap-on Nameplate & Holder</p> <p>Snaps on to switch handle frames of the following sizes:</p> <p>For 48x48, 64x64 & 67x67</p>	<p>L2-G3667</p>	<p>6.00</p>
	<p>Nameplate for Snap-on Holder</p> <p>fits cat. # L2-G3667 & L2-G3515</p> <p>For L2-G3667 "Main Switch" "Emergency Off"</p> <p>For L2-G3515 "Main Switch" "Emergency Off"</p>	<p>L2-G3667A L2-G3667H L2-G3515A L2-G3515H</p>	<p>6.00 6.00 10.60 10.60</p>
	<p>Handle Assembly Wrench</p> <p>Used for tightening LA7-S- handles during assembly</p>	<p>LA7-N245</p>	<p>47.42</p>

① LE7-40...100 3-pole switches and LE7-16...100 6-pole/Changeover switches come standard with a 44mm **metal** End Shaft. LE7-16...32 3-pole switches come standard with a 44mm **plastic** End Shaft.

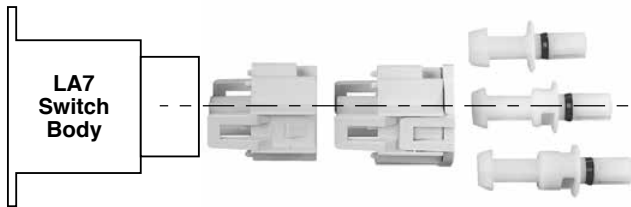
② When using mechanical coupler to join two LE7 or LA7 three pole switches, terminal markings will be:

To obtain terminal markings  order six pole switch from pages L5 and L7. Coupling for changeover switch is not available.

③ Mechanical couplings applied to all LE7 front mount switches must use LFS2- 48x48 or 64x64 type handles. 6-Pole Mechanical Couplings are not designed for use with LFS2- 88x88 or 90x90 type handles. Mechanical couplings applied to all LA7 base mount switches may use all types of LFS2 handles where applicable.

Modular shaft extension system

Shaft Extension Modules are ideal for lengthening the shaft of an LA7 switch up to 144mm (≈5.5"). These rugged polycarbonate modules are 24mm (≈15/16") long and snap on "piggyback" to one another without the use of tools. Strong center shafts interlock as each module is snapped together. The standard 44mm End Shaft supplied with every LA7 switch connects the last Extension Module with the Switch Handle Assembly. End Shafts of 52 and 57mm are also available, making this modular system versatile, fast and economical. Shaft Extension Modules are supplied two per package.

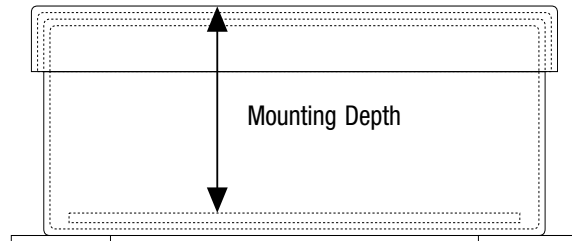


Modular Shaft Extension Components ③

Component	Description	Catalog Number	Price
	44mm End Shaft - one 44mm shaft supplied standard with all switches Plastic shaft Metal shaft	LA2-G2830	4.18
		L7-G3687 ②	8.34
	52mm End Shaft - Plastic shaft Metal shaft	LA2-G3194	4.81
		L7-G3707 ②	9.58
	57mm End Shaft - Plastic shaft	LA2-G3195	5.47
	Extension Modules - Two per package (priced per package)	LA2-G2853	8.70

Determining modular shaft extension components

- Determine Mounting Depth. This is the distance from the inside mounting surface of the enclosure to the **outside surface** of the enclosure cover. See diagram below for details. ①



- If necessary convert Mounting Depth inches to millimeters (inches x 25.4 = millimeters).
- NOTE:** Table is based on a standard 3 or 4 pole switch body. For 6 pole switches, deduct 25mm from the overall Mounting Depth before referring to table.
- In the Modular Shaft Extension Table to the right, find the Mounting Depth in the column under the appropriate LA7 Switch Body.
- Order the End Shaft and number of Extension Modules required for that Mounting Depth.

Modular Shaft Extension Table

Number of Extension Modules	Required End Shaft	Mounting Depth (mm) ①			
		Switch Body LA7-16	Switch Body LA7-25/32	Switch Body LA7-40/63	Switch Body LA7-80/100
0	44mm ②	57.5-63.5	66.5-72.5	79.5-84.5	96-102
0	52mm	65-73	74-82	81.5-94	98-111.5
0	57mm	70-78	79-87	86.5-99	103-116.5
1	44mm ②	81.5-87.5	90.5-96.5	103.5-109.5	120-126
1	52mm	83.5-97	92.5-106	105.5-119	122-135.5
1	57mm	88.5-102	97.5-111	110.5-124	127-140.5
2	44mm ②	105.5-111.5	114.5-120.5	127.5-133.5	144-150
2	52mm	107.5-121	116.5-130	129.5-143	146-159.5
2	57mm	112.5-126	121.5-135	134.5-148	151-164.5
3	44mm ②	129.5-135.5	138.5-144.5	151.5-157.5	168-174
3	52mm	131.5-145	140.5-154	153.5-167	170-183.5
3	57mm	136.5-150	145.5-159	158.5-172	175-188.5
4	44mm ②	153.5-159.5	162.5-168.5	175.5-181.5	192-198
4	52mm	155.5-169	164.5-178	177.5-191	194-207.5
4	57mm	160.5-174	169.5-183	182.5-196	199-212.5
5	44mm ②	177.5-183.5	186.5-192.5	199.5-205.5	216-222
5	52mm	179.5-193	188.5-202	201.5-215	218-231.5
5	57mm	184.5-198	193.5-207	206.5-220	223-236.5
6	44mm ②	201.5-207.5	210.5-216.5	223.5-229.5	240-246
6	52mm	203.5-217	212.5-226	225.5-239	242-255.5
6	57mm	208.5-222	217.5-231	230.5-244	247-260.5

① For DIN rail mounted devices, remember to deduct the offset distance provided by the rail. For example, deduct 2.5mm from the Mounting Depth for switch bodies mounted on DIN 46277 rail.
 ② LA7-40...100 3-pole switches and LA7-16...100 6-pole/Changeover switches come standard with a 44mm metal End Shaft. LA7-16...32 3-pole switches come standard with a 44mm plastic End Shaft.
 ③ Order replacement End Shafts for LE (front mount switches) from page L11.

L7 Disconnect Switches

Metal shaft extension system

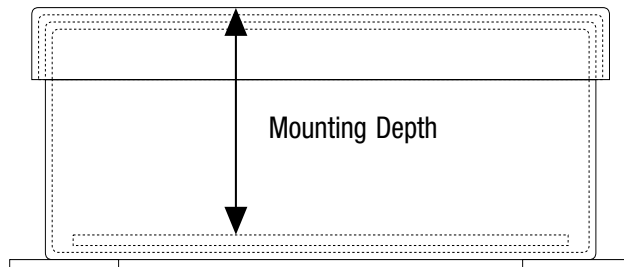
Adjustable metal shaft extensions snap on securely to LA7 switches via the same quick-connect design as shaft extension modules. Metal shafts are equipped with a door interlock and a padlock hasp for locking out the switch after the enclosure is opened (for outside lockout, select a Switch Handle Assembly with lockout capability).



Two standard lengths of these unique adjustable shafts are available. Metal shaft extensions mate with any of the standard Switch Handle Assemblies on pages L8 and L9. All necessary hardware is supplied with the shaft.

Determining metal shaft extension

- Determine Mounting Depth. This is the distance from the inside mounting surface of the enclosure to the **outside surface** of the enclosure cover. See diagram below for details. ❶






- If necessary convert Mounting Depth inches to millimeters (inches x 25.4 = millimeters).

NOTE: Tables are based on a standard 3 or 4 pole switch body. For 6 pole switches, deduct 25mm from overall Mounting Depth before referring to table.

- In the Metal Shaft Extension Table to the right, find the Mounting Depth in the column under the appropriate LA7 Switch Body.
- Order the Metal Shaft Extension required for that Mounting Depth.

- ❶ For DIN rail mounted devices, remember to deduct the offset distance provided by the rail. For example, deduct 2.5mm from the Mounting Depth for switch bodies mounted on DIN 46277 rail.
- ❷ This dimension can be reduced another 55mm by cutting the plastic sleeve and further cutting the metal shaft.
- ❸ If using Metal Shaft Extension System with LA7 3 Pole Changeover Switches, insert LA2-G3399 is required for three position switching. Lockout at the switch is not possible. See page L8 for Type E or Type L lockable handles for lockout on outside of enclosure.
- ❹ Shaft included in package is designed for LA7-S_ and L11-P_ only. Not for use with previous handles.

Metal Shaft Extension Components (LA7-16...100)

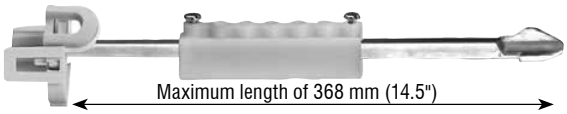
Component	Catalog Number	Price
 Length: 110...235mm For switching positions: 0	LA2-G3393 ❸	34.20
 Length: 230...350mm For switching positions: 0	LA2-G3394 ❸	44.38
 Insert - For modifying metal shaft for use with 3 Pole Changeover Switches (SEE IMPORTANT NOTE ❸)	LA2-G3399	4.73

Metal Shaft Extension Table

Metal Shaft Extension	Mounting Depth (mm) ❶			
	Switch Body LA7-16	Switch Body LA7-25/32	Switch Body LA7-40/63	Switch Body LA7-80/100
LA2-G3393	168❸ - 299	173❸ - 304	186❸ - 317	203❸ - 334
LA2-G3394	288 - 414	293 - 419	306 - 432	323 - 449

R-type Switch Handle Shaft Extensions (LA7-16...100) ❹





Only select shaft extension from this table if ordering the R-type (UL Type 4X) Switch Handle (page L9). Select shaft after figuring overall Mounting Depth.

R-type Switch Handle Shaft Extension (typical)					
Mounting Depth (mm) ❶				Catalog Number	Price
LA7-16	LA7-25/32	LA7-40/63	LA7-80/100		
84.5-108.5	93.5-117.5	117.5-131.5	123.5-147.5	LA7-S-67	34.75
107.5-131.5	116.5-140.5	130.5-154.5	146.5-170.5	LA7-S-90	
114.5-138.5	123.5-147.5	137.5-161.5	153.5-177.5	LA7-S-97	
132.5-156.5	141.5-165.5	155.5 - 179.5	171.5-195.5	LA7-S-115	
Adjustable R-type Switch Handle Shaft Extension (LA7-S1-P shown)					
					
130-385	144-399	157-412	174-429	LA7-S1-P	42.00
Includes all parts except L11-S1 shaft, order separately				LA7-NS-P	26.30



L7 Disconnect Switches

L7 Enclosed Motor Disconnects (UL and CSA Approved Enclosures) ①⑤

Amp/Horsepower Rating		Painted Steel - UL Type 1/3/12/4 LFS2 Operator - Type 12/IP66 ②			Nonmetallic - UL Type 1/3/12/4 LFS2 Operator - Type 12/IP66 ②			Nonmetallic - UL Type 4/4X Operator - UL Type 4/4X			Stainless Steel - UL Type 4/4X Operator - UL Type 4/4X						
																	
UL/CSA Amps	Horsepower					Catalog Number	Price	Dimension ③	Catalog Number	Price	Dimension ③	Catalog Number	Price	Dimension ③			
	1Ø	2Ø	3Ø	4Ø	600V												
3 Pole - ON/OFF																	
16	1	2	3	7.5	10	LA7-16-1753-WN	227.00	A	LA7-16-1753-CN	258.09	C	LA7-16-1753-CR	267.42	C	LA7-16-1753-SR	860.31	A
25	1	2	5	10	10	LA7-25-1753-WN	254.98	A	LA7-25-1753-CN	273.64	C	LA7-25-1753-CR	297.48	C	LA7-25-1753-SR	915.24	A
32	1	3	7.5	15	15	LA7-32-1753-WN	273.64	A	LA7-32-1753-CN	290.22	C	LA7-32-1753-CR	325.47	C	LA7-32-1753-SR	947.37	A
40	2	3	10	20	20	LA7-40-1753-WN	290.22	A	LA7-40-1753-CN	317.17	C	LA7-40-1753-CR	408.39	C	LA7-40-1753-SR	984.69	A
63	3	5	15	25	25	LA7-63-1753-WN	322.35	A	LA7-63-1753-CN	345.16	C	LA7-63-1753-CR	440.52	C	LA7-63-1753-SR	1,004.38	A
80	5	10	25	40	50	LA7-80-1753-WN	357.60	B	LA7-80-1753-CN	499.59	D	LA7-80-1753-CR	483.01	D	LA7-80-1753-SR	1,039.63	B
100	7.5	15	30	50	50	LA7-100-1753-WN	406.31	B	LA7-100-1753-CN	545.20	D	LA7-100-1753-CR	522.40	D	LA7-100-1753-SR	1,091.45	B
4 Pole - ON/OFF ④																	
16	1	2	3	7.5	10	LA7-16-1754-WN	248.76	A	LA7-16-1754-CN	281.93	C	LA7-16-1754-CR	336.87	C	LA7-16-1754-SR	899.70	A
25	1	2	5	10	10	LA7-25-1754-WN	273.64	A	LA7-25-1754-CN	304.74	C	LA7-25-1754-CR	359.67	C	LA7-25-1754-SR	921.46	A
32	1	3	7.5	15	15	LA7-32-1754-WN	292.29	A	LA7-32-1754-CN	326.50	C	LA7-32-1754-CR	380.40	C	LA7-32-1754-SR	943.23	A
40	2	3	10	20	20	LA7-40-1754-WN	334.80	A	LA7-40-1754-CN	359.67	C	LA7-40-1754-CR	415.64	C	LA7-40-1754-SR	976.39	A
63	3	5	15	25	25	LA7-63-1754-WN	362.78	A	LA7-63-1754-CN	394.91	C	LA7-63-1754-CR	451.92	C	LA7-63-1754-SR	1,013.71	A
80	5	10	25	40	50	LA7-80-1754-WN	407.35	B	LA7-80-1754-CN	554.53	D	LA7-80-1754-CR	643.67	D	LA7-80-1754-SR	1,442.82	B
100	7.5	15	30	50	50	LA7-100-1754-WN	469.54	B	LA7-100-1754-CN	616.72	D	LA7-100-1754-CR	682.03	D	LA7-100-1754-SR	1,506.06	B
6 Pole - ON/OFF																	
16	1	2	3	7.5	10	LA7-16-1756-WN	280.89	B	LA7-16-1756-CN	438.45	D	LA7-16-1756-CR	458.13	D	LA7-16-1756-SR	1,383.74	B
25	1	2	5	10	10	LA7-25-1756-WN	317.17	B	LA7-25-1756-CN	469.54	D	LA7-25-1756-CR	622.94	D	LA7-25-1756-SR	1,424.17	B
32	1	3	7.5	15	15	LA7-32-1756-WN	352.41	B	LA7-32-1756-CN	501.67	D	LA7-32-1756-CR	783.60	D	LA7-32-1756-SR	1,471.85	B
40	2	3	10	20	20	LA7-40-1756-WN	411.49	B	LA7-40-1756-CN	558.68	D	LA7-40-1756-CR	613.61	D	LA7-40-1756-SR	1,517.46	B
63	3	5	15	25	25	LA7-63-1756-WN	461.25	B	LA7-63-1756-CN	608.43	D	LA7-63-1756-CR	994.02	D	LA7-63-1756-SR	1,581.72	B

Modifications (Factory Assembled) ②

Description	Catalog Number Suffix	Adder
Ground Terminal		
For LA7-16	-PE	23.20
For LA7-25 & 32	-PE	23.50
For LA7-40 & 63	-PE	31.20
For LA7-80 & 100	-PE	47.20
Neutral Terminal		
For LA7-16	-TN ③	23.20
For LA7-25 & 32	-TN ③	23.50
For LA7-40 & 63	-TN ③	31.20
For LA7-80 & 100	-TN ③	47.20





NOTE: All -WN and -CN Enclosed Disconnects come standard with a round, yellow and red, screw fixing handle (Type N) with ON/OFF marking. For a round gray and black handle, change "N" to "G". Example: change LA7-25-1753-WN to LA7-25-1753-WG. For a gray and black square handle (LFS2-A), change "N" to "A". For example, change LA7-25-1753-WN to LA7-25-1753-WA.

All -CR and -SR Enclosed Disconnects come standard with a round yellow and red handle set to defeatable door interlocking mode (Type R) and ON/OFF marking. For a black handle change "R" to "B". For example, change LA7-25-1753-CR to LA7-25-1753-CB. Note: L11-S*/P* Handles can be field converted to non-defeatable mode by inserting a plastic tab which ships in a packet with the enclosed assemblies. See pages L8...L9 for descriptions of all Switch Handle Assemblies.

- ① UL/CSA Approved enclosures do not provide for knockouts. Wire opening must be drilled by user.
- ② Up to two modifications available per Enclosed Disconnect (one modification possible on 4 pole switches).
- ③ Not available on four pole switches.
- ④ One additional factory modification possible.
- ⑤ Non-metallic enclosures are fiberglass reinforced polyester type.

- ⑥ LA7-...-CR and -SR Enclosures with dim codes A and C include LA7-S Handles, and dim codes B and D include L11-P handles. Transition to LA7-S* handles will be a gradual change.
- ⑦ To substitute L11 4X handle add -PY for yellow/red or -PB for black handle; For example: LA7-25-1753-WN changes to LA7-25-1753-WN-PY. Add \$33.43 to list price.

L7 Enclosed Motor Disconnects (UL and CSA Approved Enclosures) ①

Amp/Horsepower Rating		Painted Steel - UL Type 1/3/12/4 LFS2 Operator - Type 12/IP66 ②			Nonmetallic - UL Type 1/3/12/4 LFS2 Operator - Type 12/IP66 ②			Nonmetallic - UL Type 4/4X Operator - UL Type 4/4X			Stainless Steel - UL Type 4/4X Operator - UL Type 4/4X						
																	
UL/CSA Amps	Horsepower					Catalog Number	Price	Dimension ③	Catalog Number	Price	Dimension ③	Catalog Number	Price	Dimension ③			
	1Ø	3Ø	120V	240V	480V										600V		
3 Pole - ON/OFF (with 1 NOEM and 1 NCLB - Make Before Break)																	
16	1	2	3	7.5	10	LA7-16-1753-WN-PL11	268.46	A	LA7-16-1753-CN-PL11	300.59	C	LA7-16-1753-CR-PL11	316.14	C	LA7-16-1753-SR-PL11	909.02	A
25	1	2	5	10	10	LA7-25-1753-WN-PL11	284.01	A	LA7-25-1753-CN-PL11	317.17	C	LA7-25-1753-CR-PL11	349.30	C	LA7-25-1753-SR-PL11	932.86	A
32	1	3	7.5	15	15	LA7-32-1753-WN-PL11	300.59	A	LA7-32-1753-CN-PL11	332.72	C	LA7-32-1753-CR-PL11	378.33	C	LA7-32-1753-SR-PL11	1,000.23	A
40	2	3	10	20	20	LA7-40-1753-WN-PL11	330.65	A	LA7-40-1753-CN-PL11	364.85	C	LA7-40-1753-CR-PL11	418.75	C	LA7-40-1753-SR-PL11	1,028.74	A
63	3	5	15	25	25	LA7-63-1753-WN-PL11	359.67	A	LA7-63-1753-CN-PL11	392.84	C	LA7-63-1753-CR-PL11	493.38	C	LA7-63-1753-SR-PL11	1,057.24	A
80	5	10	25	40	50	LA7-80-1753-WN-PL11	405.27	B	LA7-80-1753-CN-PL11	552.47	D	LA7-80-1753-CR-PL11	535.87	D	LA7-80-1753-SR-PL11	1,439.72	B
100	7.5	15	30	50	50	LA7-100-1753-WN-PL11	448.81	B	LA7-100-1753-CN-PL11	595.99	D	LA7-100-1753-CR-PL11	659.22	D	LA7-100-1753-SR-PL11	1,144.31	B
4 Pole - ON/OFF (with 1 NOEM and 1 NCLB - Make Before Break) ③																	
16	1	2	3	7.5	10	LA7-16-1754-WN-PL11	290.22	A	LA7-16-1754-CN-PL11	240.47	C	LA7-16-1754-CR-PL11	294.37	C	LA7-16-1754-SR-PL11	857.19	A
25	1	2	5	10	10	LA7-25-1754-WN-PL11	311.99	A	LA7-25-1754-CN-PL11	304.74	C	LA7-25-1754-CR-PL11	359.67	C	LA7-25-1754-SR-PL11	921.46	A
32	1	3	7.5	15	15	LA7-32-1754-WN-PL11	334.80	A	LA7-32-1754-CN-PL11	369.00	C	LA7-32-1754-CR-PL11	423.94	C	LA7-32-1754-SR-PL11	985.72	A
40	2	3	10	20	20	LA7-40-1754-WN-PL11	383.51	A	LA7-40-1754-CN-PL11	407.35	C	LA7-40-1754-CR-PL11	461.25	C	LA7-40-1754-SR-PL11	1,024.08	A
63	3	5	15	25	25	LA7-63-1754-WN-PL11	411.49	A	LA7-63-1754-CN-PL11	443.63	C	LA7-63-1754-CR-PL11	497.53	C	LA7-63-1754-SR-PL11	1,060.36	A
80	5	10	25	40	50	LA7-80-1754-WN-PL11	459.18	B	LA7-80-1754-CN-PL11	606.36	D	LA7-80-1754-CR-PL11	669.58	D	LA7-80-1754-SR-PL11	1,493.61	B
100	7.5	15	30	50	50	LA7-100-1754-WN-PL11	522.40	B	LA7-100-1754-CN-PL11	669.58	D	LA7-100-1754-CR-PL11	731.78	D	LA7-100-1754-SR-PL11	1,556.84	B
6 Pole - ON/OFF (with 1 NOEM and 1 NCLB - Make Before Break)																	
16	1	2	3	7.5	10	LA7-16-1756-WN-PL11	330.65	B	LA7-16-1756-CN-PL11	477.83	D	LA7-16-1756-CR-PL11	534.84	D	LA7-16-1756-SR-PL11	1,358.87	B
25	1	2	5	10	10	LA7-25-1756-WN-PL11	362.78	B	LA7-25-1756-CN-PL11	509.96	D	LA7-25-1756-CR-PL11	565.93	D	LA7-25-1756-SR-PL11	1,392.04	B
32	1	3	7.5	15	15	LA7-32-1756-WN-PL11	394.91	B	LA7-32-1756-CN-PL11	542.10	D	LA7-32-1756-CR-PL11	599.11	D	LA7-32-1756-SR-PL11	1,423.14	B
40	2	3	10	20	20	LA7-40-1756-WN-PL11	459.18	B	LA7-40-1756-CN-PL11	606.36	D	LA7-40-1756-CR-PL11	661.30	D	LA7-40-1756-SR-PL11	1,486.36	B
63	3	5	15	25	25	LA7-63-1756-WN-PL11	507.89	B	LA7-63-1756-CN-PL11	655.07	D	LA7-63-1756-CR-PL11	712.08	D	LA7-63-1756-SR-PL11	1,536.11	B

Modifications (Factory Assembled) ④

Description	Catalog Number Suffix	Adder
Ground Terminal		
For LA7-16	-PE	23.20
For LA7-25 & 32	-PE	23.50
For LA7-40 & 63	-PE	31.20
For LA7-80 & 100	-PE	47.20
Neutral Terminal		
For LA7-16	-TN	23.20
For LA7-25 & 32	-TN	23.50
For LA7-40 & 63	-TN	31.20
For LA7-80 & 100	-TN	47.20




NOTE: All -WN and -CN Enclosed Disconnects come standard with a round, yellow and red, screw fixing handle (Type N) with ON/OFF marking. For a round gray and black handle, change "N" to "G". Example: change LA7-25-1753-WN to LA7-25-1753-WG. For a gray and black square handle (Type A), change "N" to "A". Example: change LA7-25-1753-WN to LA7-25-1753-WA.

All -CR and -SR Enclosed Disconnects come standard with a round yellow and red handle set to defeatable door interlocking mode (Type R) and ON/OFF marking. For a black handle change "R" to "B". For example, change LA7-25-1754-CR-PL11 to LA7-25-1754-CB-PL11. Note: L11-S*/P* Handles can be field converted to non-defeatable mode by inserting a plastic tab which ships in a packet with the enclosed assemblies. See pages L8...L9 for descriptions of all Switch Handle Assemblies.

- ① UL/CSA Approved enclosures do not provide for knockouts. Wire opening must be drilled by user.
- ② One modification available per Enclosed Disconnect (no modifications available on 4 pole).
- ③ Factory modifications not available.
- ④ Nonmetallic enclosures are fiberglass reinforced polyester type.


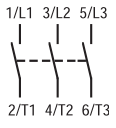

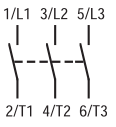
- ⑤ LA7-...-CR and -SR Enclosures with dim codes A & C include LA7-S_ Handles, and dim codes B & D include L11-P_ handles. Transition to LA7-S* handles will be a gradual change.
- ⑥ To substitute L11 4X handle add -PY for yellow/red or -PB for black handle. For example: LA7-25-1753-WN-PL11 changes to LA7-25-1753-WN-PY-PL11. Add \$33.43 to list price.

LY7 Enclosed Load Disconnect Switches (IP Rated Enclosures) ①

Amp/Horsepower Rating						Plastic - IP66 ABS Enclosure Operator - IP66, Red/Yellow (Type N)		Plastic - IP66 ABS Enclosure Operator - IP66, Gray/Black (Type G)		Plastic - IP66 ABS Enclosure Operator - IP66, Silver/Black (Type A)	
											
UL/CSA Amps	Horsepower					Catalog Number	Price	Catalog Number	Price	Catalog Number	Price
	1Ø		3Ø								
	120V	240V	240V	480V	600V						
3 Pole - ON/OFF											
16	1	2	3	7.5	10	LY7-16M-1753-N4	103.28	LY7-16M-1753-G4	103.28	LY7-16M-1753-A4	102.21
25	1	2	5	10	10	LY7-25-1753-N6	163.97	LY7-25-1753-G6	163.97	LY7-25-1753-A6	151.19
32	1	3	7.5	15	15	LY7-32-1753-N6	169.29	LY7-32-1753-G6	169.29	LY7-32-1753-A6	155.45
40	2	3	10	20	20	LY7-40-1753-N6	215.06	LY7-40-1753-G6	215.06	LY7-40-1753-A6	204.42
63	3	5	15	25	25	LY7-63-1753-N6	227.85	LY7-63-1753-G6	227.85	LY7-63-1753-A6	215.06
80	5	10	25	40	50	LY7-80-1753-N6	317.27	LY7-80-1753-G6	317.27	LY7-80-1753-A6	303.44
100	7.5	15	30	50	50	LY7-100-1753-N6	357.73	LY7-100-1753-G6	357.73	LY7-100-1753-A6	344.96
6 Pole - ON/OFF											
16	1	2	3	7.5	10	LY7-16M-1756-N6	207.63	LY7-16M-1756-G6	207.63	LY7-16M-1756-A6	204.42
25	1	2	5	10	10	LY7-25-1756-N6	327.92	LY7-25-1756-G6	327.92	LY7-25-1756-A6	302.37
32	1	3	7.5	15	15	LY7-32-1756-N6	337.51	LY7-32-1756-G6	337.51	LY7-32-1756-A6	314.09
40	2	3	10	20	20	LY7-40-1756-N6	432.26	LY7-40-1756-G6	432.26	LY7-40-1756-A6	418.75
63	3	5	15	25	25	LY7-63-1756-N6	456.76	LY7-63-1756-G6	456.76	LY7-63-1756-A6	430.13



Assembled L7 Disconnect Switches

L7 Disconnect Switches


Switch	Description	Function	Color	Circuit	Poles	UL/CSA Amps	Catalog Number	Price
	Type Q Load Switch - This pre-assembled switch is designed for panels with standard 45mm cutouts. The specially designed switch handle also makes it ideal for mounting <i>within</i> a distribution panel when ready access to the operator is not desired. Finger-proof to IP20.	ON-OFF 90° Switching	Gray face/ Black Handle		3	25	LA7-25-1753-Q	112.86
						32	LA7-32-1753-Q	122.44
	Emergency Off Switch - This yellow and red pre-assembled switch is designed as an Emergency Off for panels with standard 45mm cutouts. The specially designed switch handle also makes it ideal for mounting <i>within</i> a distribution panel when a color coded OFF switch is desired. Finger-proof to IP20 with provision for locking with one padlock.	ON-OFF 90° Switching	Yellow face/ Red handle		3	25	LA7-25-1753-R	112.86
						32	LA7-32-1753-R	122.44

① Suitable for use in NEMA 4 type applications (not UL listed).

Thermoplastic Enclosures (IP Rated)

Accessory	Description	Enclosure Size	For use with...	Poles	Shaft Required...	Catalog Number	Price
	ABS Enclosure – For High Impact Applications IP66, UL94 Flame Resistance - HB Includes 1 Grounding/Neutral terminal. With pre-drilled holes for 64 x 64 operator or larger	95 (W) x 150 (H) x 86 (D)	LA7-25...32	3 / 4	LA2-G3194	LA2-G3572	72.86
		95 (W) x 150 (H) x 111 (D)				LA2-G3573	80.03
		125 (W) x 180 (H) x 105 (D)	LA7-25...32	6	With switch Supplied with enclosure	L7-G3663	98.15
			LA7-40...63	3 / 4			
		175 (W) x 230 (H) x 120 (D)	LA7-40...63	6	With switch Supplied with enclosure	L7-G3665	132.68
			LA7-80...100	3 / 4			
Without holes	95 (W) x 150 (H) x 86 (D)				LA2-G3574	71.92	
	95 (W) x 150 (H) x 111 (D)				LA2-G3575	79.20	
	Noryl Enclosure – For Corrosion Prone Applications IP66, UL94 Flame Resistance - VO Includes 1 Grounding/Neutral terminal. With pre-drilled holes for 64 x 64 operator or larger	95 (W) x 150 (H) x 86 (D)	LA7-25...32	3 / 4	LA2-G3194	LA2-G3576	102.07
		95 (W) x 150 (H) x 111 (D)				LA2-G3577	112.26
		125 (W) x 180 (H) x 105 (D)	LA7-25...32	6	With switch Supplied with enclosure	L7-G3664	138.89
			LA7-40...63	3 / 4			
		175 (W) x 230 (H) x 120 (D)	LA7-40...63	6	With switch Supplied with enclosure	L7-G3666	186.57
			LA7-80...100	3 / 4			
Without holes	95 (W) x 150 (H) x 86 (D)				LA2-G3578	100.71	
	95 (W) x 150 (H) x 111 (D)				LA2-G3579	112.26	

Enclosure Accessories

Accessory	Description	For use with...	Pkg Qty	Catalog Number	Price Each
 <p>L7-G3653</p> <p>L7-G3673</p>	Additional Ground & Neutral Terminals - <ul style="list-style-type: none"> Provision for two One included with enclosures above Sold only in quantities of 5. Order 5 pieces to receive one package of 5. 	LA2-G357... L7-G366...	5	L7-G3653 L7-G3673	5.18 15.03



Technical Information

			16A	25A	32A	40A	63A	80A	100A	Aux. Cont.		
Performance Data												
Rated operational voltage U_e	UL/CSA	[V]	600	600	600	600	600	600	600	600		
	IEC ①	[V]	690	690	690	690	690	690	690	690		
Rated insulation voltage U_i	UL/CSA	[V]	600	600	600	600	600	600	600	600		
	IEC	[V]	690	690	690	690	690	690	690	690		
Rated impulse voltage U_{imp}	UL/CSA	[kV]	8	8	8	8	8	8	8	8		
Test voltage U_t	1 minute	[kV]	2.5	2.5	2.5	2.5	2.5	2.5	2.5	2.5		
Lost power, per pole		[W]	0.58	1.0	1.5	1.6	2.4	3.6	5.5	0.4		
Rated Frequency		[Hz]	50/60	50/60	50/60	50/60	50/60	50/60	50/60	50/60		
Conventional free air thermal current I_{th} ①		[A]	25	40	50	63	75	100	120	12		
Conventional enclosed thermal current I_{th} ①		[A]	20	32	40	50	63	80	100	10		
Rated Current I_e ①												
AC-1	Non-inductive or only slightly inductive loads	690V	[A]	16	25	32	40	63	80	100	10	
AC-21A	Switching of resistive loads with slight overload											
Rated Power P_e												
AC-23A	Occasional switching of 3Ø motors and other highly inductive loads (criterion for selecting main switches)	230V	[kW]	5.5	7.5	7.5	15	18.5	22	30	-	
		400V	[kW]	7.5	11	15	22	30	37	55	-	
		690V	[kW]	7.5	11	15	18.5	22	37	45	-	
AC-3	Squirrel cage motors; starting and stopping of running motors	230V	[kW]	4	5.5	7.5	11	15	18.5	22	-	
		400V	[kW]	5.5	7.5	11	15	18.5	30	37	-	
		690V	[kW]	5.5	7.5	11	15	18.5	30	22	-	
Short circuit current (Type 2 coordination)												
	Rated conditional short circuit current	400/415V	[kA]	20	20	15	20	15	30	25	-	
	Maximum fuse rating of circuit (type g, G)		[A]	20	25	35	50	63	80	100	-	
	Rated short-time current 1cw, 1s		[A]	800	900	900	1300	1300	2500	2500	-	
Rated breaking capacity AC23A ($\cos\phi$ 0.45)		230V	[A]	156	296	296	484	484	780	780	-	
		400V	[A]	120	256	256	504	504	800	800	-	
		690V	[A]	70	136	136	196	196	376	376	-	
DC switching capacity												
DC-21A	For resistive loads, $T < 1$ ms U_e max = 660V	1 pole	24/48V	[A]	20	25	32	40	63	80	100	-
			110V	[A]	5	5	6	8	10	16	20	-
			220V	[A]	1	1	1	1.5	1.5	3	3	-
		2 poles in series	440V	[A]	0.5	0.5	0.5	0.6	0.6	0.7	0.7	-
			96V	[A]	20	25	32	40	63	80	100	-
			110V	[A]	20	23	25	32	50	70	80	-
		3 poles in series	220V	[A]	5	5	6	8	10	16	20	-
			440V	[A]	1	1	1	1.5	1.5	3	3	-
			600V	[A]	0.6	0.6	0.6	0.8	0.8	1	1	-
		3 poles in series	110V	[A]	20	25	32	40	63	80	100	-
			220V	[A]	13	13	15	20	28	50	63	-
			440V	[A]	2.2	2.2	2.2	3.6	3.6	6.5	6.5	-
600V	[A]	1.3	1.5	1.5	2	2	3	3	-			
Rated power P_e												
DC-23A, DC-3, DC-5	3 poles For inductive loads, $T < 15$ ms	90V	[kW]	1	1.3	1.5	2.9	4.1	5.1	7.2	-	
		110V	[kW]	1	1.1	1.3	2.2	3.3	5.5	7	-	
		220V	[kW]	0.8	0.9	1.1	1.7	2	3.5	4.4	-	
		440V	[kW]	0.6	0.6	0.6	0.9	0.9	1.1	1.1	-	
600V	[kW]	0.4	0.4	0.4	0.5	0.5	0.9	0.9	-			

① See Conformity to Standards on next page.

Technical Information (continued)

			16A	25A	32A	40A	63A	80A	100A	Aux. Cont.	
UL/CSA Data											
Continuous current		[A]	16	25	32	40	63	80	100	–	
Heavy Pilot Duty		[AC]	A600	A600	A600	–	–	–	–	A600	
Standard Duty		[DC]	–	–	–	–	–	–	–	Q600	
Motor Rating 60Hz	Single phase, 2 poles	120V	[FLA]	16	16	16	24	34	56	80	–
			[HP]	1	1	1	2	3	5	7.5	–
		240V	[FLA]	12	12	17	17	28	50	68	–
			[HP]	2	2	3	3	5	10	15	–
		480V	[FLA]	8.5	8.5	14	21	26	34	68	–
			[HP]	3	3	5	7.5	10	15	30	–
	600V	[FLA]	11.2	11.2	11.2	16	20	27	44	–	
		[HP]	5	5	5	7.5	10	15	25	–	
	Three phase	120V	[FLA]	13.6	13.6	19.2	30.4	40	56	84	–
			[HP]	2	2	3	5	7.5	10	15	–
		240V	[FLA]	9.6	15.2	22	28	42	68	80	–
			[HP]	3	5	7.5	10	15	25	30	–
480V		[FLA]	11	14	21	27	34	52	65	–	
		[HP]	7.5	10	15	20	25	40	50	–	
600V	[FLA]	11	11	17	22	27	52	52	–		
	[HP]	10	10	15	20	25	50	50	–		
Short Circuit Ratings											
Maximum short circuit prospective fault current, RMS symmetrical, 600 VAC max.											
When protected by Class K5 fuses, maximum amperes of rated fuse		[KA]	5	5	5	5	5	5	5	–	
		[A]	25	35	35	80	80	125	125	–	
When protected by J Class fuses, maximum amperes of rated fuse		[KA]	~	65	65	65	65	65	65	–	
		[A]	~	30	30	60	60	100	100	–	

Mechanical Data

			16A	25A...32A	40A...63A	80A...100A	Aux. Cont.
Protection class according to IEC 529							
Motor rating 60 Hz							
Actuators	Type 12 / IP66						
Switch bodies	IP20						
Mechanical life	[millions of operations]	0.2					
Maximum wire gauges							
Terminal size per IEC 947-1		A4	A6	A7	A9	2xA2	
Fine strands	1/2 conductor	[AWG] (1)16...10/(2)16...12	(1)14...8/(2)14...10	(1)12...4/(2)12...8	(1)10...1/(2)10...4	18...14	
		[mm²] (1)1...10/(2)1...4	(1)1.5...16/(2)1.5...6	(1)2.5...25/(2)2.5...16	(1)4...50/(2)4...25	0.75...2.5	
Rigid wire	1/2 conductor	[AWG] (1)16...8/(2)16...12	(1)14...8/(2)14...10	(1)12...4/(2)12...8	(1)10...1/(2)10...6	18...14	
		[mm²] (1)1.5...6/(2)1.5...4	(1)1.5...10/(2)1...6	(1)2.5...16/(2)2.5...10	(1)4...35/(2)4...16	0.5...2.5	
Tightening Torque	max.	[lb-in]	12	12	25	50	8
		[Nm]	1.4	1.4	2.8	5.6	1.0
Ambient Temperature	Operation	[°C]	-25...+60 °C (-13...+140 °F)				
	Storage	[°C]	-40...+80 °C (-40...+176 °F)				

Conformity to Standards: ①

IEC 947-1, IEC 947-3 Low voltage switchgear and control gear part 3: Switches, disconnectors, switch-disconnectors and fuse-combination units.
 CE
 UL 508: Industrial Control Equipment
 CSA: C22.2 No. 14: Industrial Control Equipment

Approvals: ①

UL Listed (File No. E54612 NLRV)
 CSA Certified (LR 13002)
 CCC Certified
 Meets IEC, VDE and BS standard requirements
 IEC/CE Marked (Per EN60947-3)

① LA(E)-16 switches are cUL approved.

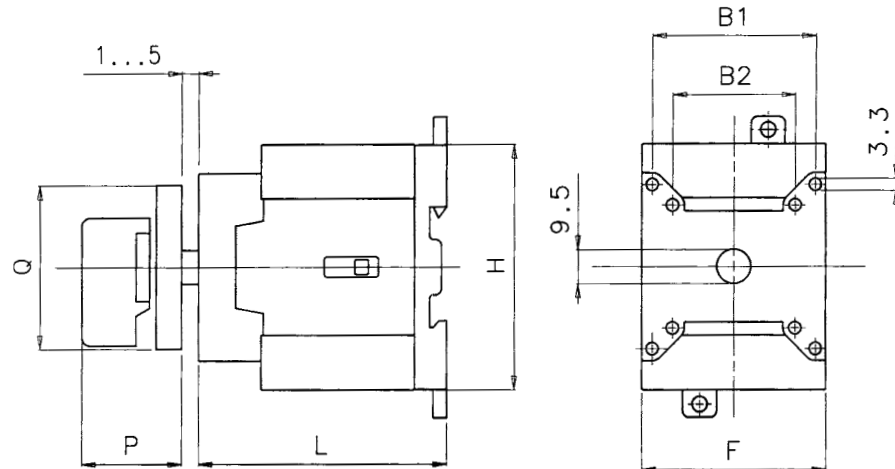


LE7 Front Mount (3 Pole) with Screw Fixing Handle

Dimensions are in millimeters (inches). Dimensions not intended for manufacturing purposes.

Switch Handle		
Type	P	Q
LFS2-A-4	28	48 x 48
LFS2-E-4	28	48 x 48
LFS2-I-4	28	48 x 48
LFS2-L-4	28	48 x 48
LFS2-S-4	28	48 x 62
LFS2-A-6	28	64 x 64
LFS2-E-6	28	64 x 64
LFS2-I-6	28	64 x 64
LFS2-L-6	28	64 x 64
LFS2-S-6	28	64 x 78
LFS7-G-4	34	54 x 54
LFS7-N-4	34	54 x 54
LFS2-G-6	34	67 x 67
LFS2-N-6	34	67 x 67
LFS2-A-8	45	88 x 88
LFS2-I-8	45	88 x 88
LFS2-G-8	49	88 x 88
LFS2-N-8	49	88 x 88

Switch Body					
Type	B1	B2	F	H	L
LE7-16	-	28	36	63	51
LE7-25/32	-	36	45	63	60
LE7-40/63	48	36	54	72	74
LE7-80/100	48	36	72	90	90



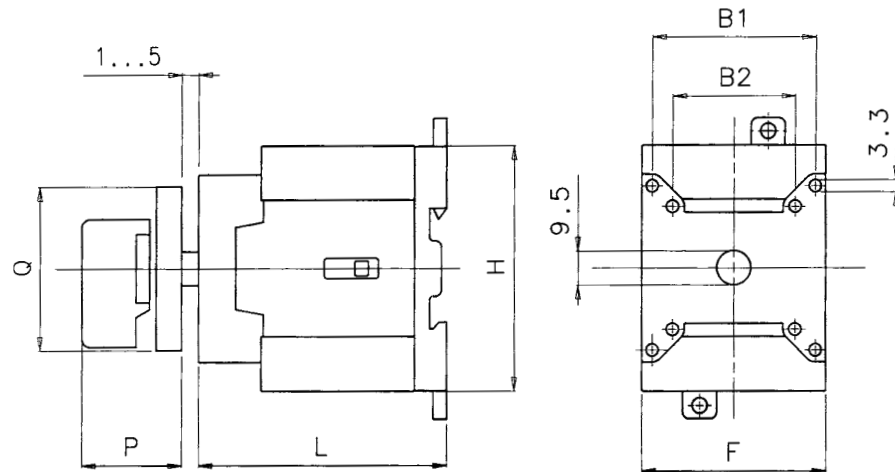
LE7 Front Mount (6 Pole) with Screw Fixing Handle



L7 Disconnect Switches

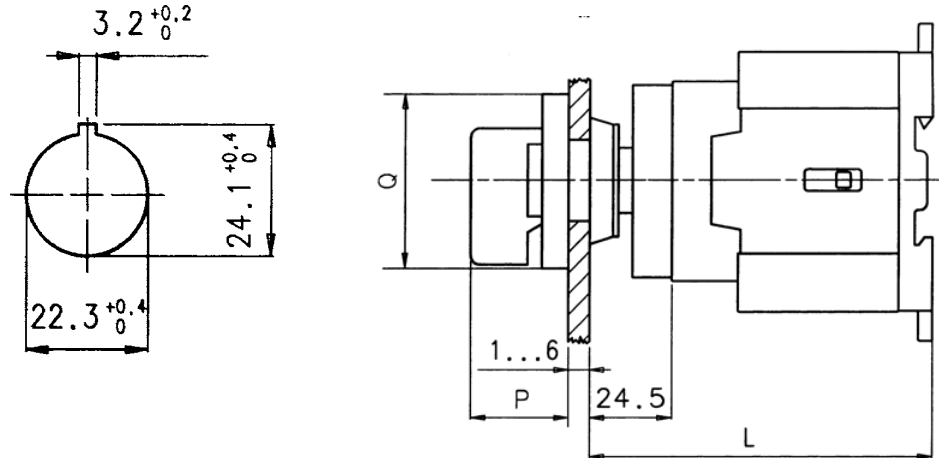
Switch Handle		
Type	P	Q
LFS2-A-4	28	48 x 48
LFS2-E-4	28	48 x 48
LFS2-I-4	28	48 x 48
LFS2-L-4	28	48 x 48
LFS2-S-4	28	48 x 62
LFS2-A-6	28	64 x 64
LFS2-E-6	28	64 x 64
LFS2-I-6	28	64 x 64
LFS2-L-6	28	64 x 64
LFS2-S-6	28	64 x 78
LFS7-G-4	34	54 x 54
LFS7-N-4	34	54 x 54
LFS2-G-6	34	67 x 67
LFS2-N-6	34	67 x 67
LFS2-A-8	45	88 x 88
LFS2-I-8	45	88 x 88
LFS2-G-8	49	88 x 88
LFS2-N-8	49	88 x 88

Switch Body					
Type	B1	B2	F	H	L
LE7-16	-	28	36	63	51
LE7-25/32	-	36	45	63	60
LE7-40/63	48	36	54	72	74
LE7-80/100	48	36	72	90	90



LE7 Front Mount (3 Pole) with Central Nut Fixing Handle

Dimensions are in millimeters (inches). Dimensions not intended for manufacturing purposes.



Switch Handle		
Type	P	Q
LFC2-A-4	29	48 x 48
LFC2-E-4	29	48 x 48
LFC2-I-4	29	48 x 48
LFC2-L-4	29	48 x 48
LFC2-G-6	34	67 x 67
LFC2-N-6	34	67 x 67

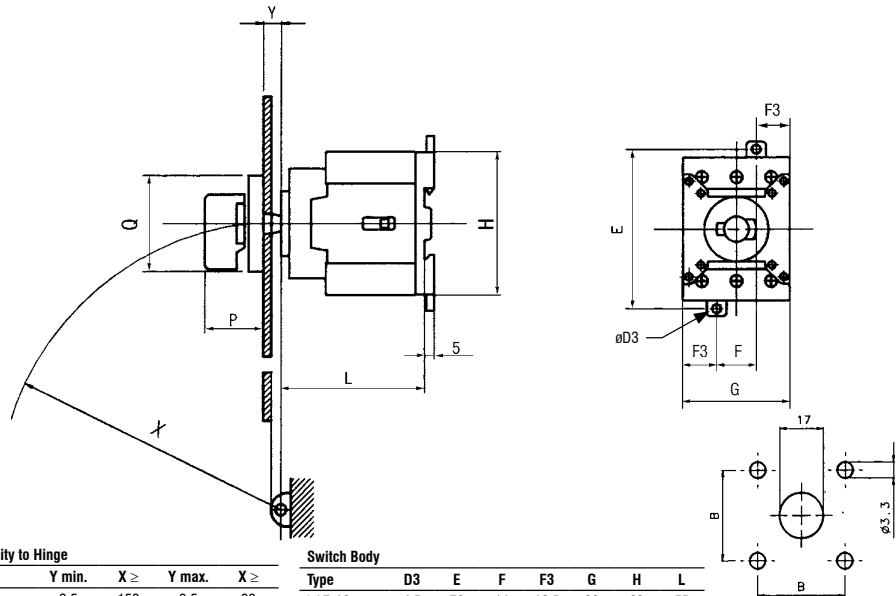
Switch Body	
Type	L
LE7-16	75.5
LE7-25/32	84.5
LE7-40/63	98.5

LA7 Base Mount (3 Pole) with Screw Fixing Handle

Switch Handle			
Type	P	Q	B
LFS2-A-4	28	48 x 48	36
LFS2-E-4	28	48 x 48	36
LFS2-I-4	28	48 x 48	36
LFS2-L-4	28	48 x 48	36
LFS2-S-4	28	48 x 62	36
LFS2-A-6	28	64 x 64	48 (36)
LFS2-E-6	28	64 x 64	48 (36)
LFS2-I-6	28	64 x 64	48 (36)
LFS2-L-6	28	64 x 64	48 (36)
LFS2-S-6	28	64 x 78	48 (36)
LFS7-G-4	34	54 x 54	36
LFS7-N-4	34	54 x 54	36
LFS2-G-6	34	67 x 67	48 (36)
LFS2-N-6	34	67 x 67	48 (36)
LFS2-A-8	45	88 x 88	48
LFS2-I-8	45	88 x 88	48
LFS2-G-8	49	88 x 88	48
LFS2-N-8	49	88 x 88	48

Proximity to Hinge				
Type	Y min.	X ≥	Y max.	X ≥
LE7-16	2.5	150	9.5	90
LE7-25/32	2.5	150	9.5	90
LE7-40/63	2.5	150	9.5	90
LE7-80/100	2.5	150	9.5	90

Switch Body							
Type	D3	E	F	F3	G	H	L
LA7-16	4.5	70	11	12.5	36	63	55
LA7-25/32	4.5	70	15	15	45	63	59
LA7-40/63	4.5	80	20	17	54	72	73
LA7-80/100	5.6	95	25	23.5	72	90	89



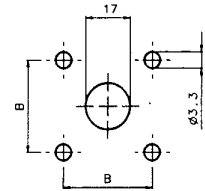
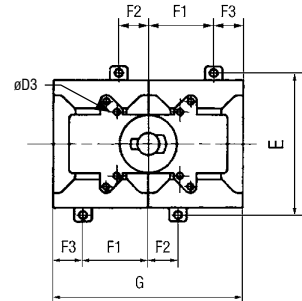
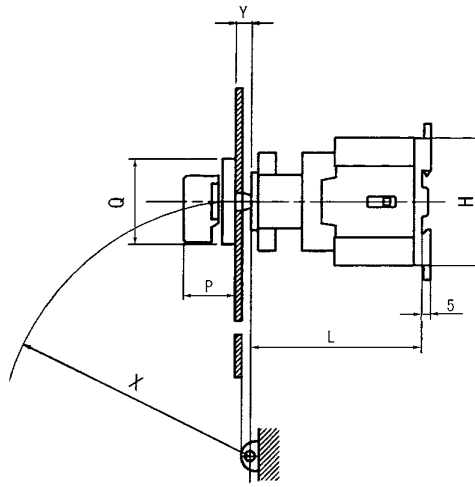
L7 Disconnect Switches

LA7 Base Mount (6 Pole) with Screw Fixing Handle

Dimensions are in millimeters (inches). Dimensions not intended for manufacturing purposes.

Switch Handle

Type	P	Q	B
LFS2-A-4	28	48 x 48	36
LFS2-E-4	28	48 x 48	36
LFS2-I-4	28	48 x 48	36
LFS2-L-4	28	48 x 48	36
LFS2-S-4	28	48 x 62	36
LFS2-A-6	28	64 x 64	48 (36)
LFS2-E-6	28	64 x 64	48 (36)
LFS2-I-6	28	64 x 64	48 (36)
LFS2-L-6	28	64 x 64	48 (36)
LFS2-S-6	28	64 x 78	48 (36)
LFS7-G-4	34	54 x 54	36
LFS7-N-4	34	54 x 54	36
LFS2-G-6	34	67 x 67	48 (36)
LFS2-N-6	34	67 x 67	48 (36)
LFS2-A-8	45	88 x 88	48
LFS2-I-8	45	88 x 88	48
LFS2-G-8	49	88 x 88	48
LFS2-N-8	49	88 x 88	48



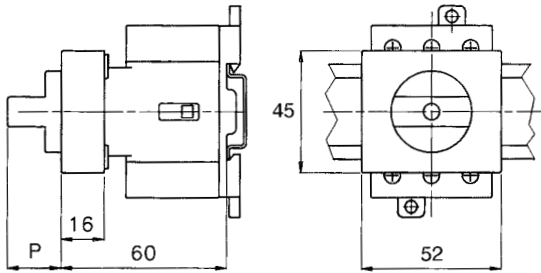
Proximity to Hinge

Type	Y min.	X ≥	Y max.	X ≥
LE7-16	2.5	150	9.5	90
LE7-25/32	2.5	150	9.5	90
LE7-40/63	2.5	150	9.5	90
LE7-80/100	2.5	150	9.5	90

Switch Body

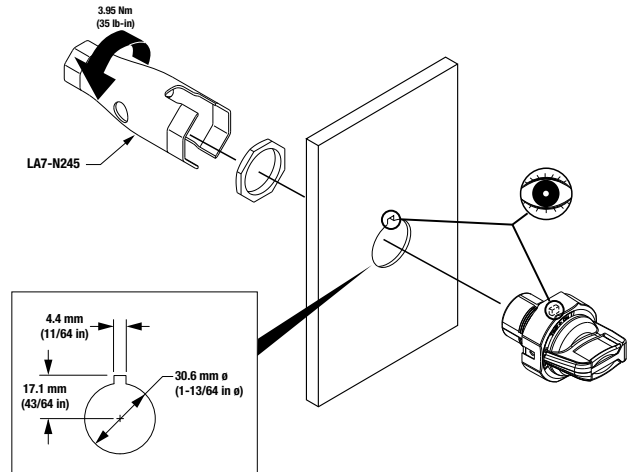
Type	D3	E	F1	F2	F3	G	H	L
LA7-16	4.5	70	xx	12.5	12.5	90	63	55
LA7-25/32	4.5	70	30	15	15	90	63	84
LA7-40/63	4.5	80	37	17	17	108	72	98
LA7-80/100	5.6	95	48.5	23.5	23.5	144	90	114

Type Q and Emergency Off Switch

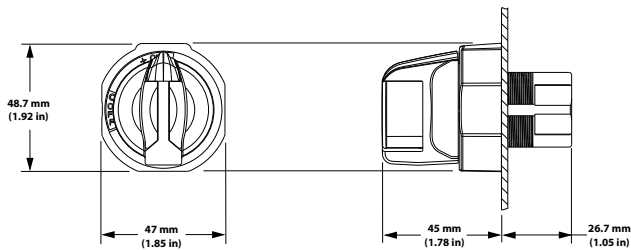


Type	P
LA7-25(32)-1753-Q	20
LA7-25(32)-1753-R	23

LA7-SY/SB Assembly



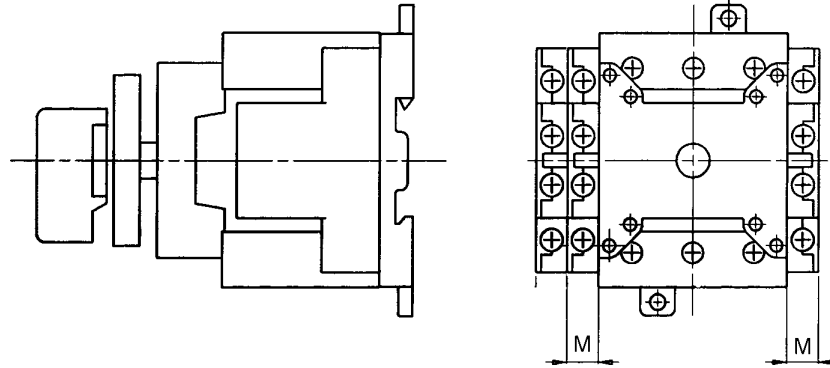
LA7-SY/SB (Type R) Switch Handle



L7 Disconnect Switches

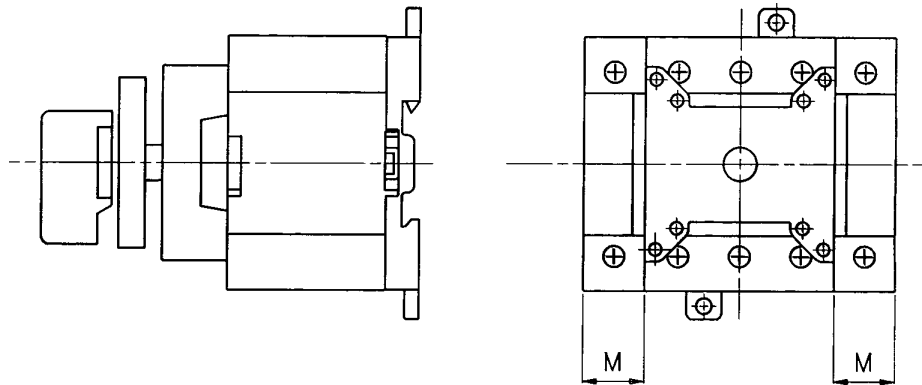
L7 with Auxiliary Contact Blocks

Dimensions are in millimeters (inches). Dimensions not intended for manufacturing purposes.



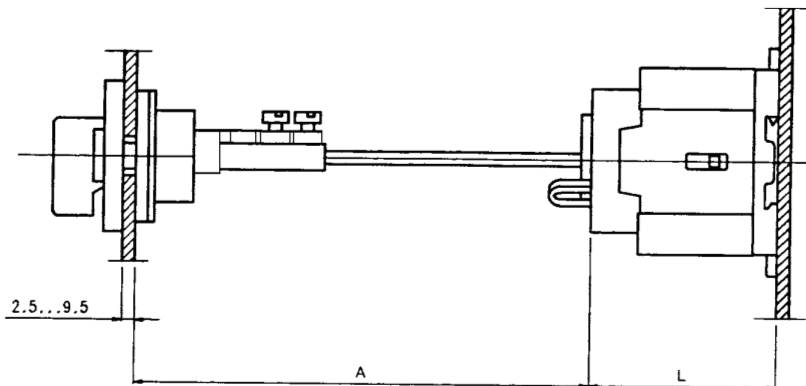
Contacts	M
1 N.O. + 1 N.C.	9
2 N.O. + 2 N.C.	18

L7 with Ground, Neutral and Fourth Pole



Type	M
L7-16	12.5
L7-20/32	14
L7-40/63	17.5
L7-80/100	22

Metal Shaft Extension (LA2-G3393[4])



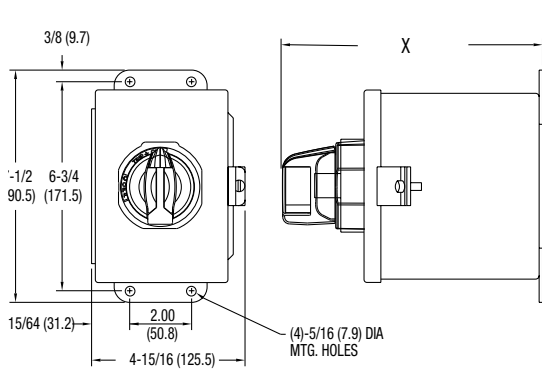
Switch Body	
Type	L
LA7-16	55
LA7-20/32	59
LA7-40/63	73
LA7-80/100	89

Shaft	
Type	A
LA2-G3393	110...235
LA2-G3394	230...350

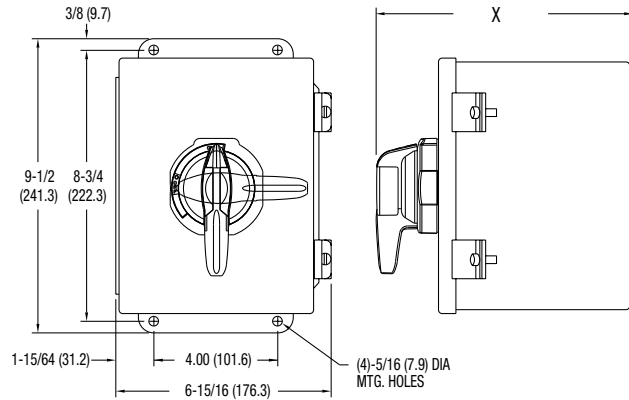


L7 Enclosed Motor Disconnect

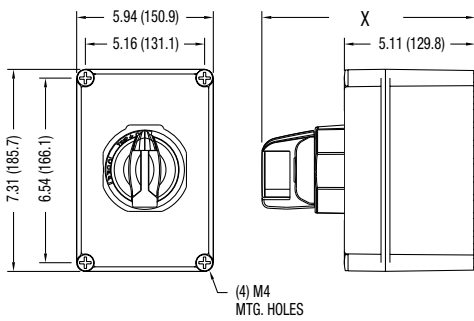
Dimensions are in inches (millimeters). Dimensions not intended for manufacturing purposes.



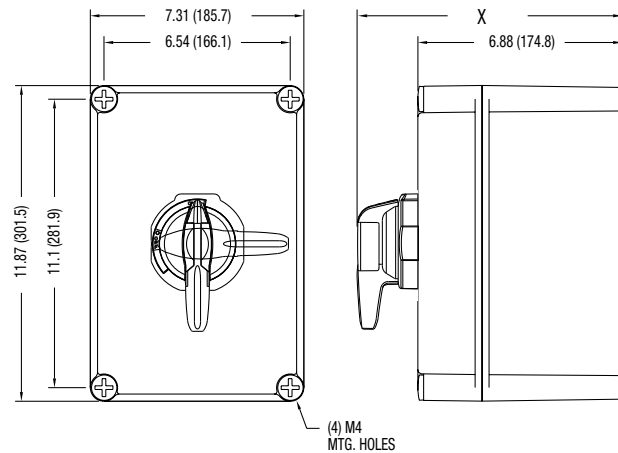
DIMENSION CODE A



DIMENSION CODE B



DIMENSION CODE C



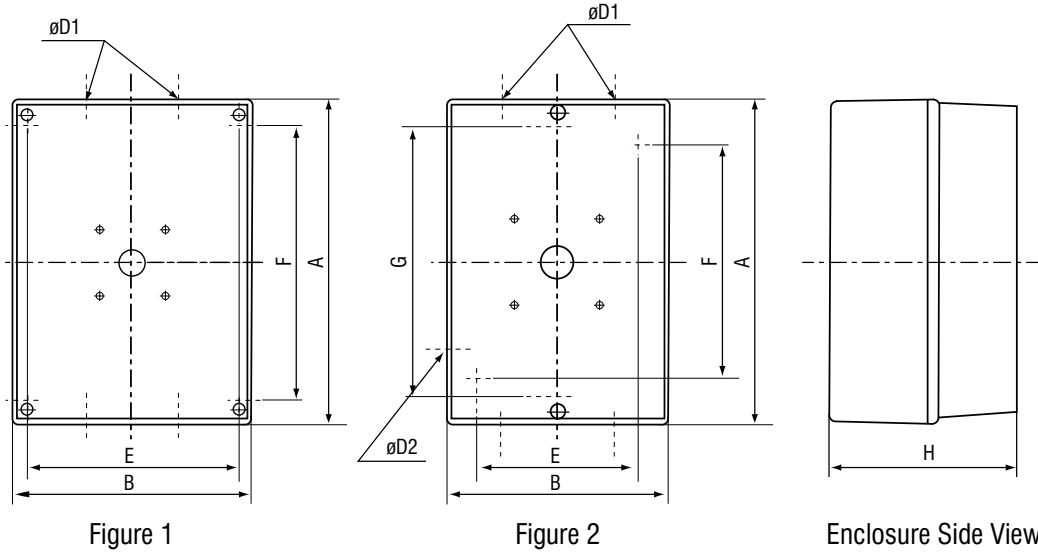
DIMENSION CODE D

Dimension Code	Handle	Dim X	
		inches	mm
A	LA7-SY/SB	6-9/16	166.8
	LFS2- -6*	6-1/8	155.8
B	L11-PB/PY	7-1/16	180.1
	LFS2- -6*	6-11/16	169.1
C	LA7-SY/SB	6-1/4	158.7
	LFS2- -6*	5-13/16	147.7
D	L11-PB/PY	8	203.7
	LFS2- -6*	7-9/16	192.7

L L7 Disconnect Switches

LY7 Enclosed Load Disconnect Switch (and Thermoplastic Enclosures)

Dimensions are in millimeters (inches). Dimensions not intended for manufacturing purposes.



Type	Figure	Poles	Enclosure		Height A	Width B	Knock Outs		Mounting Holes			Depth H
			ABS	Noryl			øD1	øD2	E	F	G	
LY7-16M	2	3	①	①	118	70	16/20	~	50	105	~	70
	2	6	L7-G3663	L7-G3664	180	125	25/30	~	~	~	145	105
LY7-25/32	2	3/4	LA2-G3572	LA2-G3576	150	95	22.5/28.5	22.5	60	115	~	86
	2	6	L7-G3663	L7-G3664	180	125	28.5/37.5	~	~	~	145	105
LY7-40/63	2	3/4	L7-G3663	L7-G3664	180	125	28.5/37.5	~	~	~	145	105
	1	6	L7-G3665	L7-G3666	230	175	37.5/47.5	~	155	195	~	120
LY7-80/100	1	3/4	L7-G3665	L7-G3666	230	175	37.5/47.5	~	155	195	~	120

① Empty enclosures not available for purchase
 ② LA7-16 units have one knock-out on each end. All others have two knock-outs on each end.



