

CZ and MZ IL-BRID standard version

inserts		page:
CD	25 poles + ⊕	69
CDD	38 poles + ⊕	77
CDA	16 poles + ⊕	100
CSAH	16 poles + ⊕	101
CDC	16 poles + ⊕	105

hoods with single lever



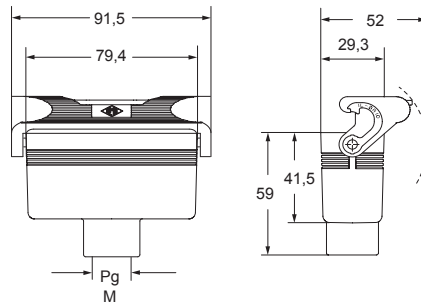
covers



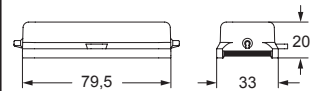
description	part No.	entry Pg	part No	entry M	part No. (with eyelet)	part No. (with loop)
with single lever, top entry	CZV 25 LG	16	MZV 25 LG20	20		
with pegs and gasket (for 1 lever enclosures)					CZC 25 L	CZC 25 SL
with lever (for enclosures with pegs)						CZC 25 LG

Cover versions L and LG cannot be used together with coding pins. If this application is required, please contact ILME SpA.

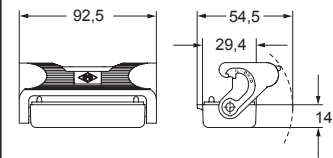
CZV LG and MZV LG ▲



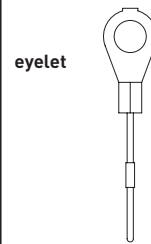
CZC L (SL) ●



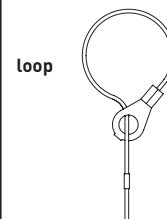
CZC LG ▲



For fixing on housings



For fixing on hoods



CALUS Type 4/4X/12

- ▲ insulating cable gland or fittings without gasket
- ▲ cable gland with O-Ring gasket
- IP67 if coupled with CZ7 - MZ7 housings (see page 385)