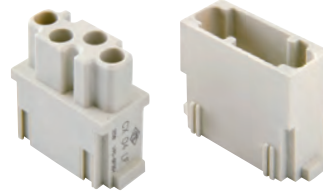


The modular inserts must be installed in suitable frames which are then mounted in traditional enclosures or in COB panel support.
Single-sized modular units may be directly mounted inside MIXO ONE enclosures.

frames for modular units page: 316 - 317
MIXO ONE enclosures 369

modular units,
crimp connections



POF / MOST crimp contacts

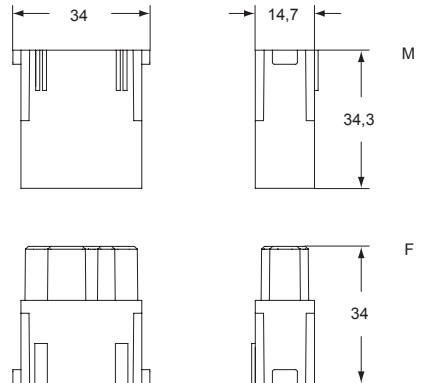


description	part No.	part No.
without contacts (to be ordered separately)		
female inserts for female contacts ¹⁾	CX 04 LF	
male inserts for male contacts ¹⁾	CX 04 LM	
female contacts POF ²⁾ 1,0 mm		CX PLF
male contacts POF ²⁾ 1,0 mm		CX PLM
female contacts MOST [®] ³⁾ 1/1,5 mm		CX MLF
male contacts MOST [®] ³⁾ 1/1,5 mm		CX MLM

²⁾ POF = POLYMER OPTICAL FIBRE
³⁾ MOST[®] = MEDIA ORIENTED SYSTEM TRANSPORT
MOST[®] is a registered trade mark of Microchip Technology Inc.

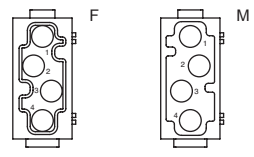
- cULus (UL for USA and Canada), certified ¹⁾
- insulation resistance: ≥ 1 GΩ
- ambient temperature limit: -40 °C ... +85 °C
- inserts made of self-extinguishing thermoplastic resin UL 94V-0
- mechanical life: ≥ 500 cycles
- contact resistance: ≤ 30 mΩ
- for crimp contacts CI series use:
CIPZ D crimping tool
CITP D turret head
- max external diameter: 2,2 mm (POF)
2,3 mm (MOST)
- polymer fibre diameter: 1,0 mm (POF)
1/1,5 mm (MOST)
- attenuation: < 2.5 dB
- to crimp contacts CX PLF / PLM and CX MLF / MLM please use tool CLPZ R (see the crimping tool section on page 730)

CX 04 LF / LM

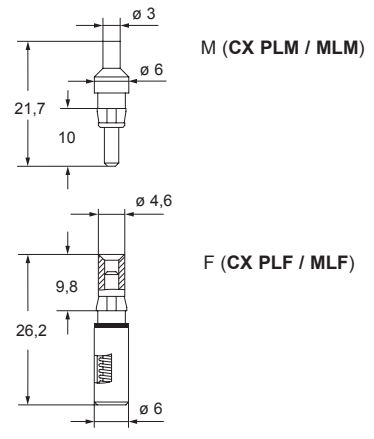


contacts side (front view)

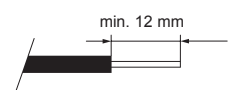
side with reference arrow ▲



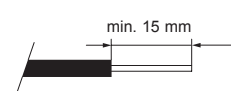
- 1 frame slot



cable stripping for fibre optic



male contact



female contact

MIXO DATA