

REVISIONS			
REV.	DESCRIPTION	DATE	APPROVED
A	REDRAWN IN SW	7/31/2006	

D

D

C

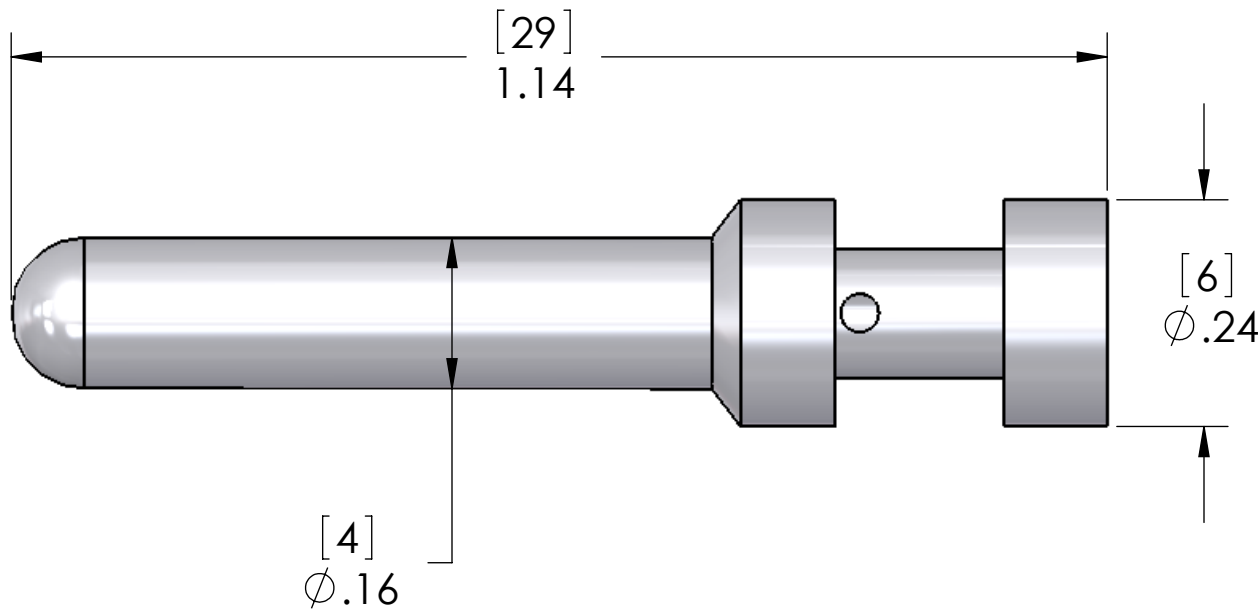
C

B

B

A

A



SUGGESTED WIRE STRIP: 0.37 [9.4]  
 SUGGESTED CRIMP TOOL:  
 CXPZ-D w/ CXTP-40 LOCATOR  
 SUGGESTED REMOVAL TOOL:  
 CXES

PART NUMBER	WIRE AWG	WIRE HOLE DIAM	SQ. MM
CXMA-1.5	16	0.071 [1.8]	1.5
CXMA-2.5	14	0.087 [2.2]	2.5
CXMA-4.0	12	0.112 [2.85]	4.0
CXMA-6.0	10	0.138 [3.5]	6.0

MATERIALS	
<b>BODY:</b>	<b>SILVER PLATED COPPER ALLOY</b>

**PROPRIETARY AND CONFIDENTIAL**  
 THE INFORMATION CONTAINED IN THIS DRAWING IS THE SOLE PROPERTY OF MENCOM CORPORATION. ANY REPRODUCTION IN PART OR AS A WHOLE WITHOUT THE WRITTEN PERMISSION OF MENCOM CORPORATION IS PROHIBITED.

UNLESS OTHERWISE SPECIFIED:  
 DIMENSIONS ARE IN INCHES AND [MM]  
 MATERIAL  
 FINISH  
 DO NOT SCALE DRAWING

NAME	DWM
DRAWN	
CHECKED	
ENG APPR.	
MFG APPR.	
Q.A.	
COMMENTS:	

MENCOM CORPORATION		
TITLE: <b>40 AMP MALE CRIMP CONTACTS</b>		
SIZE <b>B</b>	DWG. NO. CXMA-X.X	REV <b>A</b>
SCALE: 5:1	WEIGHT:	SHEET 1 OF 1

8 7 6 5 4 3 2 1

8 7 6 5 4 3 2 1