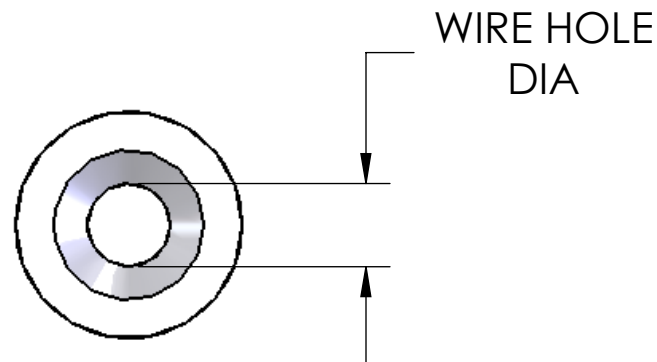
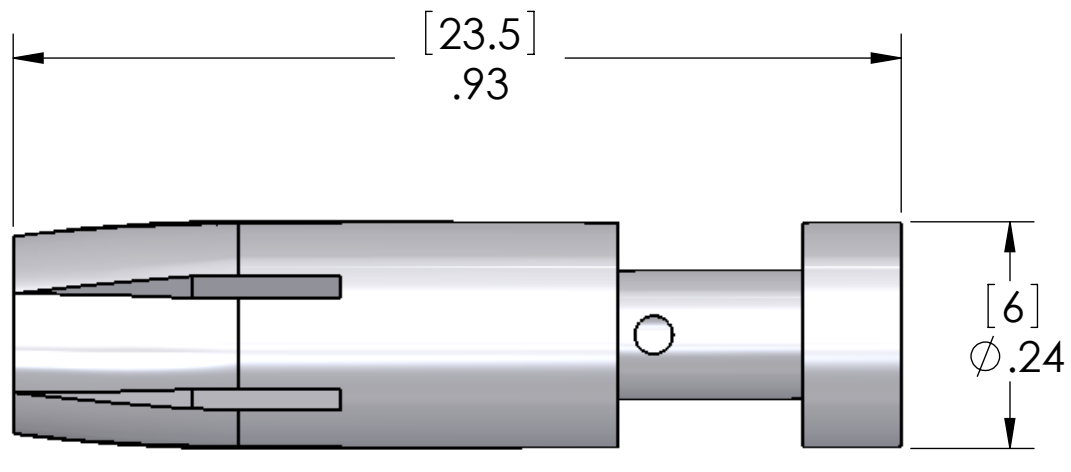


REVISIONS			
REV.	DESCRIPTION	DATE	APPROVED
A	REDRAWN IN SW	7/31/2006	



SUGGESTED WIRE STRIP: 0.37 [9.4]

SUGGESTED CRIMP TOOL:
CXPZ-D w/ CXTP-40 LOCATOR

SUGGESTED REMOVAL TOOL:
CXES

PART NUMBER	WIRE AWG	WIRE HOLE DIAM	SQ. MM
CXFA-1.5	16	0.071 [1.8]	1.5
CXFA-2.5	14	0.087 [2.2]	2.5
CXFA-4.0	12	0.112 [2.85]	4.0
CXFA-6.0	10	0.138 [3.5]	6.0

MATERIALS	
BODY:	SILVER PLATED COPPER ALLOY

PROPRIETARY AND CONFIDENTIAL
THE INFORMATION CONTAINED IN THIS DRAWING IS THE SOLE PROPERTY OF MENCOM CORPORATION. ANY REPRODUCTION IN PART OR AS A WHOLE WITHOUT THE WRITTEN PERMISSION OF MENCOM CORPORATION IS PROHIBITED.

UNLESS OTHERWISE SPECIFIED:
DIMENSIONS ARE IN INCHES AND [MM]
MATERIAL
FINISH
DO NOT SCALE DRAWING

NAME
DRAWN DWM
CHECKED
ENG APPR.
MFG APPR.
Q.A.
COMMENTS:

MENCOM CORPORATION
TITLE:
40 AMP FEMALE CRIMP CONTACTS
SIZE **B** DWG. NO. CXFA-X.X REV **A**
SCALE: 5:1 WEIGHT: SHEET 1 OF 1