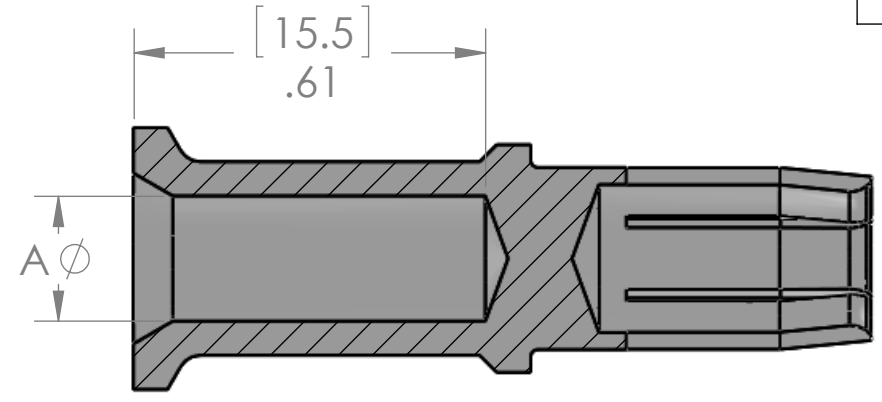
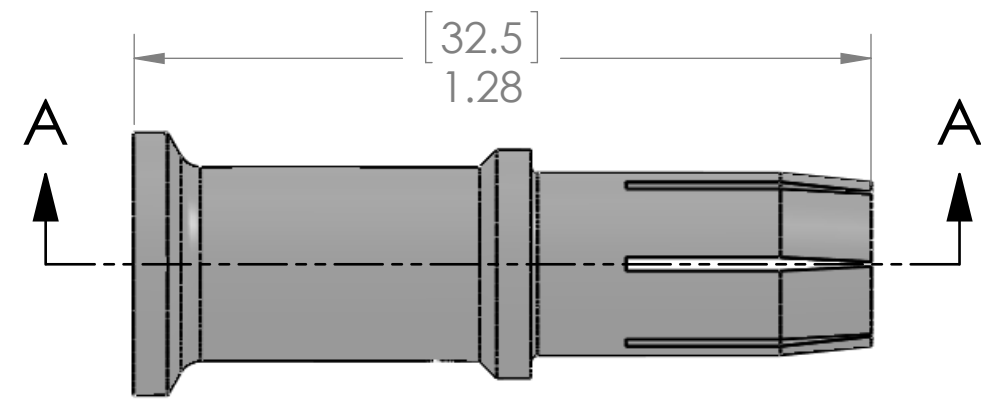
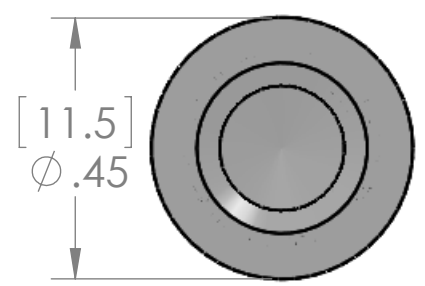


REVISIONS			
REV.	DESCRIPTION	DATE	APPROVED
A	REDRAWN	5/1/2014	JJH



SECTION A-A



MATERIAL: SILVER PLATED COPPER ALLOY  
 FOR USE IN: CX-02-7F  
 CRIMPING TOOL: CGPZ  
 REMOVAL TOOL: C7ES  
 WIRE STRIP LENGTH: 0.59 [15]

TABLE A				
P/N	A	mm <sup>2</sup>	AWG	CRIMP DIE
CXFA-10	0.17 [4.3]	10	7 - 8	CGD-10C
CXFA-16	0.22 [5.5]	16	5 - 6	CGD-16C
CXFA-25	0.28 [7.0]	25	3 - 4	CGD-25C

<b>APPROVALS:</b>	
<b>US</b>	<b>UL RECOGNIZED</b>
<b>CANADA</b>	<b>C-UL RECOGNIZED</b>

**PROPRIETARY AND CONFIDENTIAL**  
 THE INFORMATION CONTAINED IN THIS DRAWING IS THE SOLE PROPERTY OF MENCOM CORPORATION. ANY REPRODUCTION IN PART OR AS A WHOLE WITHOUT THE WRITTEN PERMISSION OF MENCOM CORPORATION IS PROHIBITED.

UNLESS OTHERWISE SPECIFIED:	NAME
DIMENSIONS ARE IN INCHES AND [MM]	DRAWN CAM
	CHECKED
	ENG APPR.
	MFG APPR.
	Q.A.
	COMMENTS:
MATERIAL	
FINISH	
DO NOT SCALE DRAWING	

MENCOM CORPORATION		
TITLE:		
FEM 70A CONTACT		
SIZE	DWG. NO.	REV
<b>B</b>	<b>CX7FA-ZZ</b>	<b>A</b>
SCALE: 3:1	WEIGHT:	SHEET 1 OF 1