

CX 08 CF/CM 8 poles 16A - 400V

The modular inserts must be installed in suitable frames which are then mounted in traditional enclosures or in COB panel support.
Single-sized modular units may be directly mounted inside MIXO ONE enclosures.

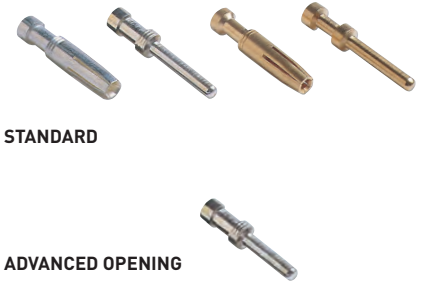
frames for modular units page: 316 - 317
MIXO ONE enclosures 369

- it is recommended to crimp the contacts with crimping tools homologated by ILME (please see the crimping tool section 16A contacts, CCF, CCM and CC...AN series) on pages 708 - 741

modular units, crimp connections



16A crimp contacts standard or for advanced opening silver and gold plated



STANDARD

ADVANCED OPENING

description	part No.	part No.
without contacts (to be ordered separately)		
female inserts for female contacts	CX 08 CF	
male inserts for male contacts	CX 08 CM	
16A female crimp contacts		
0,14-0,37 mm ² AWG 26-22 one groove		CCFA 0.3
0,5 mm ² AWG 20 with no grooves		CCFA 0.5
0,75 mm ² AWG 18 one groove (back side)		CCFA 0.7
1 mm ² AWG 18 one groove		CCFA 1.0
1,5 mm ² AWG 16 two grooves		CCFA 1.5
2,5 mm ² AWG 14 three grooves		CCFA 2.5
3 mm ² AWG 12 one wide groove		CCFA 3.0
4 mm ² AWG 12 with no grooves		CCFA 4.0
16A male crimp contacts		
0,14-0,37 mm ² AWG 26-22 one groove		CCMA 0.3
0,5 mm ² AWG 20 with no grooves		CCMA 0.5
0,75 mm ² AWG 18 one groove (back side)		CCMA 0.7
1 mm ² AWG 18 one groove		CCMA 1.0
1,5 mm ² AWG 16 two grooves		CCMA 1.5
2,5 mm ² AWG 14 three grooves		CCMA 2.5
3 mm ² AWG 12 one wide groove		CCMA 3.0
4 mm ² AWG 12 with no grooves		CCMA 4.0
16A male crimp contacts for advanced opening		
0,5 mm ² AWG 20 with no grooves		CC 0.5 AN
0,75 mm ² AWG 18 one groove (back side)		CC 0.7 AN
1 mm ² AWG 18 one groove		CC 1.0 AN
1,5 mm ² AWG 16 two grooves		CC 1.5 AN
2,5 mm ² AWG 14 three grooves		CC 2.5 AN

silver plated

gold plated+

+ for basic or high thickness gold plating, please refer to page 675

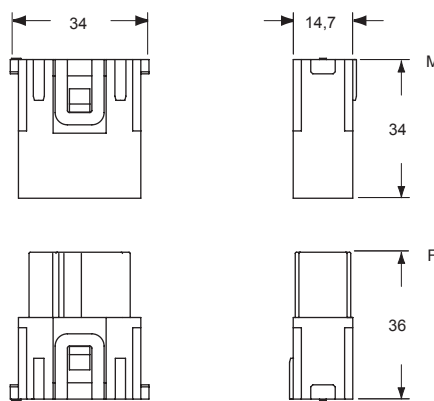
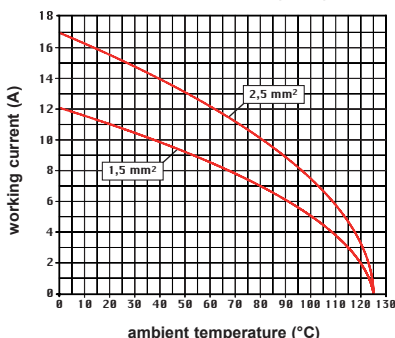
- characteristics according to EN 61984:

16A 400V 6kV 3
16A 400/690V 6kV 2

- certified

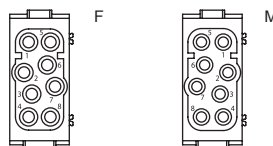
- rated voltage according to UL/CSA: 600V
- insulation resistance: ≥ 10 GΩ
- ambient temperature limit: -40 °C ... +125 °C
- made of self-extinguishing thermoplastic resin UL 94V-0
- mechanical life: ≥ 500 cycles
- contact resistance: ≤ 1 mΩ
- for max. current load see the connector inserts derating diagram below; for more information see page 28

CX 08 C, 8 poles connector inserts
Maximum current load derating diagram



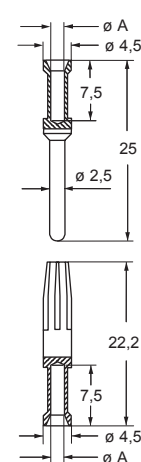
contacts side (front view)

side with reference arrow ▲

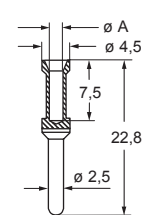


- 1 frame slot

CCF and CCM



CC...AN



CCF, CCM and CC...AN contacts

conductor section (mm ²)	conductor slot ø A (mm)	conductors stripping length (mm)
0,14-0,37	0,9	7,5
0,5	1,1	7,5
0,75	1,3	7,5
1,0	1,45	7,5
1,5	1,8	7,5
2,5	2,2	7,5
3	2,55	7,5
4	2,85	7,5