

# CX 01 BF/BM - CX 04 BF/BM 1 or 4 poles + shield (each connector) 10A - 50V

- characteristics according to EN 61984: CX 04 B / CX 01 B shielded connector **10A 50V 0,8kV 3**
- certified
- rated voltage according to UL/CSA: 50V
- insulation resistance:  $\geq 10 \text{ G}\Omega$
- ambient temperature limit:  $-40 \text{ }^\circ\text{C} \dots +85 \text{ }^\circ\text{C}$
- mechanical life:  $\geq 500$  cycles
- contact resistance: shielded connector CX 04 B:  $\leq 3 \text{ m}\Omega$   
coaxial connector CX 01 B:  $\leq 3 \text{ m}\Omega$
- for contact crimping instructions, refer to the crimping tool section (10A contacts, CDF and CDM series) on pages 708 - 741
- coaxial connector CX 01 B cables with a typical impedance of  $75 \Omega$  (attenuation see below)
- CX 04 B multi-axial connector for STP cables with 2 pairs and terminations compliant with EN 50173-1 Cat. 5 (100 MHz), compatible with 4-wire field bus protocols
- suitable for CX 02 B (MIXO 2-seat holder) or CX 1/2 BD ("21.21" 1-seat adapter insert)
- female and male shielded connectors fit both in female and in male holder / adapter insert

shielded connectors



10A crimp contacts, silver and gold plated



description	part No.	part No.
-------------	----------	----------

shielded BUS coaxial connectors, 1 pole + shield female insert, one contact seat 10A (CDF) + shield male insert, one contact seat 10A (CDM) + shield	<b>CX 01 BF</b> <b>CX 01 BM</b>	
--	------------------------------------	--

shielded BUS multi axial connectors, 4 poles + shield female insert, four contact seats 10A (CDF) + shield male insert, four contact seats 10A (CDM) + shield	<b>CX 04 BF</b> <b>CX 04 BM</b>	
---	------------------------------------	--

10A female crimp contacts

0,14-0,37 mm <sup>2</sup>	AWG 26-22	identification No. 1
0,5 mm <sup>2</sup>	AWG 20	identification No. 2
0,75 mm <sup>2</sup>	AWG 18	identification No. ②
1 mm <sup>2</sup>	AWG 18	identification No. 3
1,5 mm <sup>2</sup>	AWG 16	identification No. 4
2,5 mm <sup>2</sup>	AWG 14	identification No. 5

CDFA 0.3
CDFA 0.5
CDFA 0.7
CDFA 1.0
CDFA 1.5
CDFA 2.5

silver plated

CDFD 0.3
CDFD 0.5
CDFD 0.7
CDFD 1.0
CDFD 1.5
CDFD 2.5

gold plated+

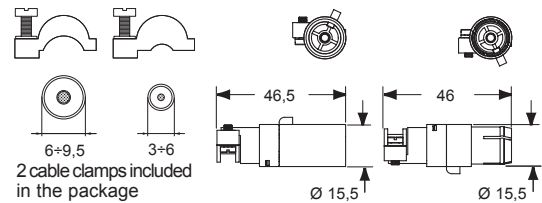
10A male crimp contacts

0,14-0,37 mm <sup>2</sup>	AWG 26-22	identification No. 1
0,5 mm <sup>2</sup>	AWG 20	identification No. 2
0,75 mm <sup>2</sup>	AWG 18	identification No. ②
1 mm <sup>2</sup>	AWG 18	identification No. 3
1,5 mm <sup>2</sup>	AWG 16	identification No. 4
2,5 mm <sup>2</sup>	AWG 14	identification No. 5

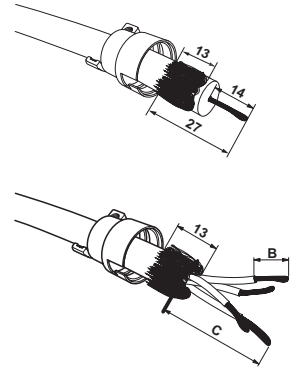
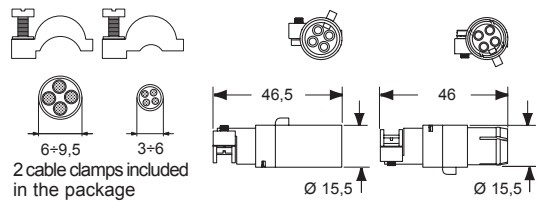
CDMA 0.3
CDMA 0.5
CDMA 0.7
CDMA 1.0
CDMA 1.5
CDMA 2.5

CDMD 0.3
CDMD 0.5
CDMD 0.7
CDMD 1.0
CDMD 1.5
CDMD 2.5

CX 01 BF, CX 01 BM

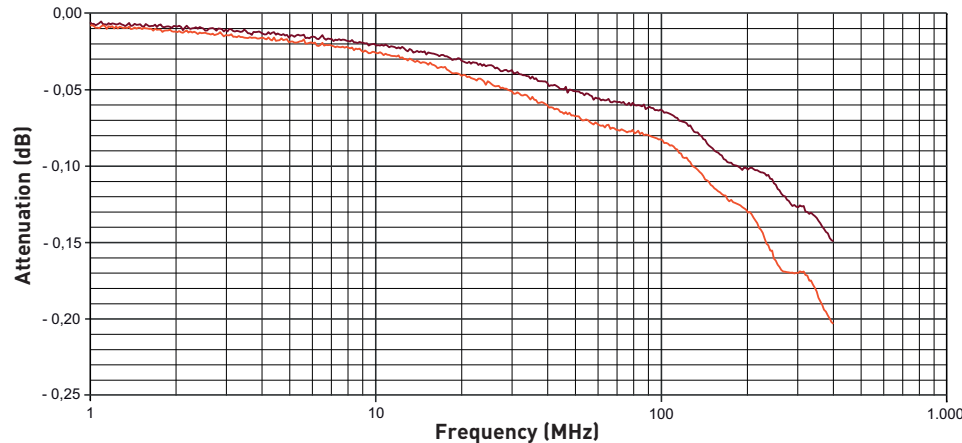


CX 04 BF, CX 04 BM



Test performed in accordance with IEC/EN 60512-25-2 (2002), 4.1.3.2 (coaxial cable only) and 4.2.2.2 (coaxial cable and connector).

Attenuation (insertion loss) 75 ohm coaxial connector (CX 01 BF / BM)



- RG 11 A/U cable and CX 01 B connector (75 ohm)
- RG 11 A/U cable (75 ohm)

cable clamp	C (mm)
3-6	20
6-9,5	25

CDF and CDM contacts		
conductor section	conductor slot	conductors stripping length
(mm <sup>2</sup> )	ø A (mm)	B (mm)
0,14-0,37	0,9	8
0,5	1,1	8
0,75	1,3	8
1,0	1,45	8
1,5	1,8	8
2,5	2,2	6

+ for basic or high thickness gold plating, please refer to page 674