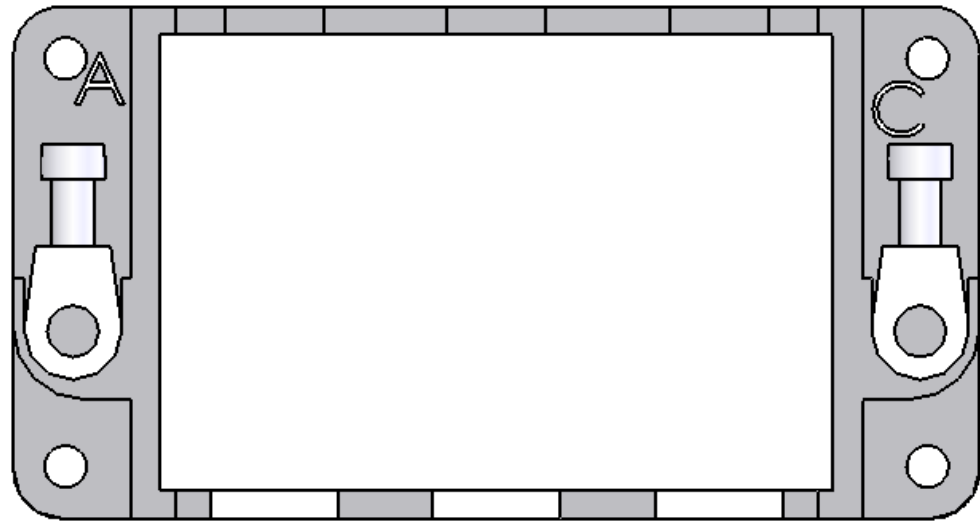
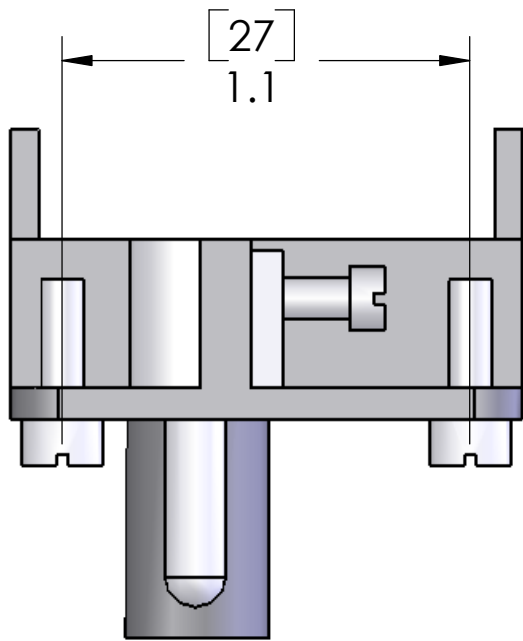
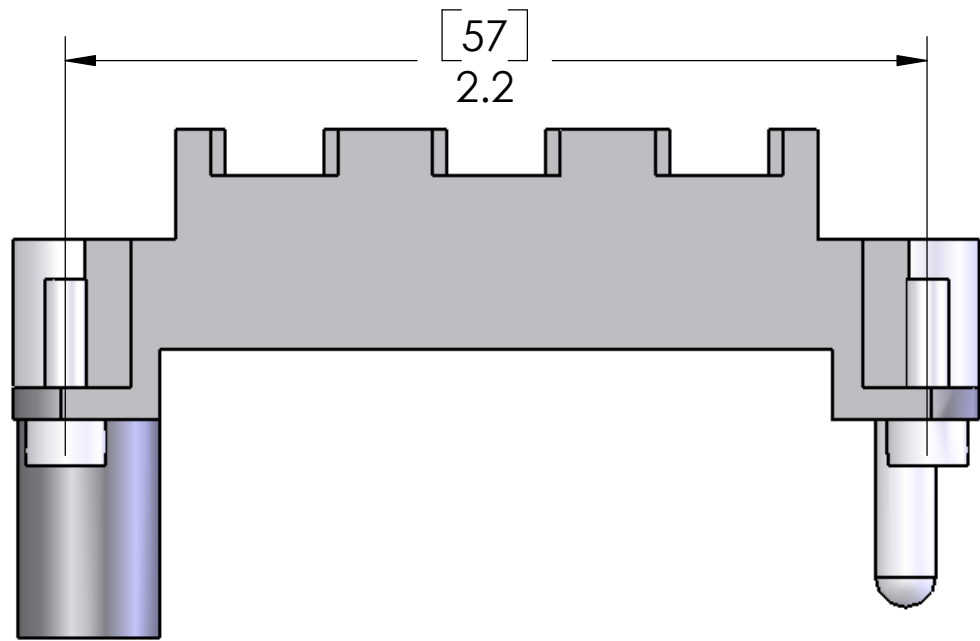


8 7 6 5 4 3 2 1

REVISIONS			
REV.	DESCRIPTION	DATE	APPROVED
A	REDRAWN IN SW	4/18/2006	BEM



FRAMES CAN BE USED IN EITHER HOODS OR HOUSINGS, FOR CORRECT COUPLING PLEASE USE BOTH FRAME TYPES (ONE WITH UPPER-CASE LETTERS AND THE OTHER WITH LOWER-CASE LETTERS)



D
C
B
A

D
C
B
A

MATERIALS	
FRAME:	DIE-CAST ZINC ALLOY
APPROVALS:	UL & CSA

PROPRIETARY AND CONFIDENTIAL
 THE INFORMATION CONTAINED IN THIS DRAWING IS THE SOLE PROPERTY OF MENCOM CORPORATION. ANY REPRODUCTION IN PART OR AS A WHOLE WITHOUT THE WRITTEN PERMISSION OF MENCOM CORPORATION IS PROHIBITED.

		UNLESS OTHERWISE SPECIFIED:		NAME
		DIMENSIONS ARE IN INCHES AND [MM]	DRAWN	CAM
			CHECKED	
			ENG APPR.	
			MFG APPR.	
			Q.A.	
			COMMENTS:	
		MATERIAL		
		FINISH		
		DO NOT SCALE DRAWING		

MENCOM CORPORATION		
TITLE: Mixo Frame for 3 modular units		
SIZE B	DWG. NO. CX-03TM	REV A
SCALE: 2:1	WEIGHT:	SHEET 1 OF 1

8 7 6 5 4 3 2 1