

8 7 6 5 4 3 2 1

REVISIONS			
REV.	DESCRIPTION	DATE	APPROVED
A	REDRAWN IN SW	7/31/2006	

D

D

C

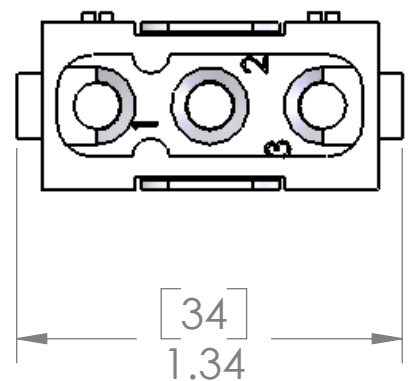
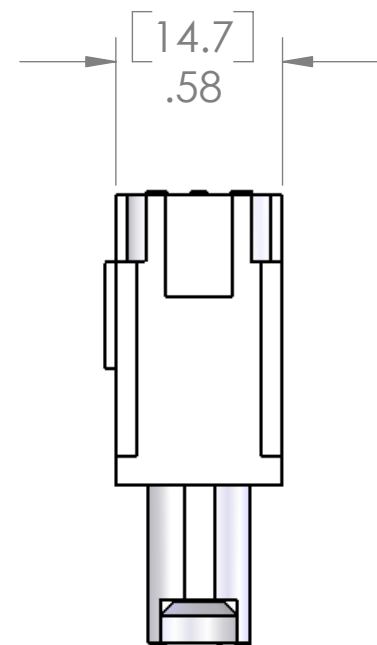
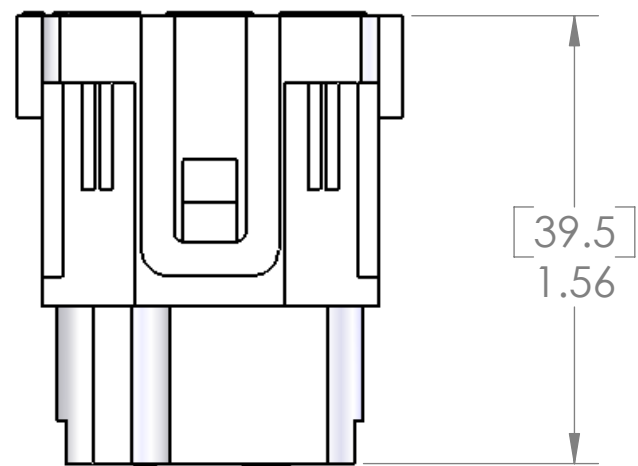
C

B

B

A

A



MATERIALS	
HOUSING:	GLASS REINFORCED THERMOPLASTIC
RATINGS:	UL - 600V, 40A. EN 400/690V/6kV/3, 40A
APPROVALS:	UL & CSA

PROPRIETARY AND CONFIDENTIAL
 THE INFORMATION CONTAINED IN THIS DRAWING IS THE SOLE PROPERTY OF MENCOM CORPORATION. ANY REPRODUCTION IN PART OR AS A WHOLE WITHOUT THE WRITTEN PERMISSION OF MENCOM CORPORATION IS PROHIBITED.

		UNLESS OTHERWISE SPECIFIED:		NAME
		DIMENSIONS ARE IN INCHES AND [MM]	DRAWN	DWM
			CHECKED	
			ENG APPR.	
			MFG APPR.	
			Q.A.	
			COMMENTS:	
		MATERIAL		
		FINISH		
		DO NOT SCALE DRAWING		

MENCOM CORPORATION		
TITLE:		
SIZE	DWG. NO.	REV
B	CX-03-4F	A
SCALE: 3:2	WEIGHT:	SHEET 1 OF 1

8 7 6 5 4 3 2 1