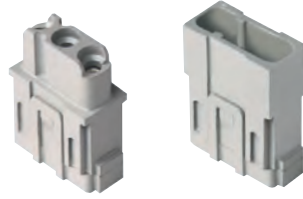


CX 03 4F/4M 3 poles 40A - 400/690V

The modular inserts must be installed in suitable frames which are then mounted in traditional enclosures or in COB panel support.
Single-sized modular units may be directly mounted inside MIXO ONE enclosures.

frames for modular units page: 316 - 317
MIXO ONE enclosures 369

modular units, crimp connections



40A silver plated crimp contacts



description	part No.	part No.
-------------	----------	----------

without contacts (to be ordered separately)
female inserts for female contacts ¹⁾ **CX 03 4F**
male inserts for male contacts ¹⁾ **CX 03 4M**

40A female crimp contacts
1,5 mm² AWG 16
2,5 mm² AWG 14
4 mm² AWG 12
6 mm² AWG 10

CXFA 1.5
CXFA 2.5
CXFA 4.0
CXFA 6.0

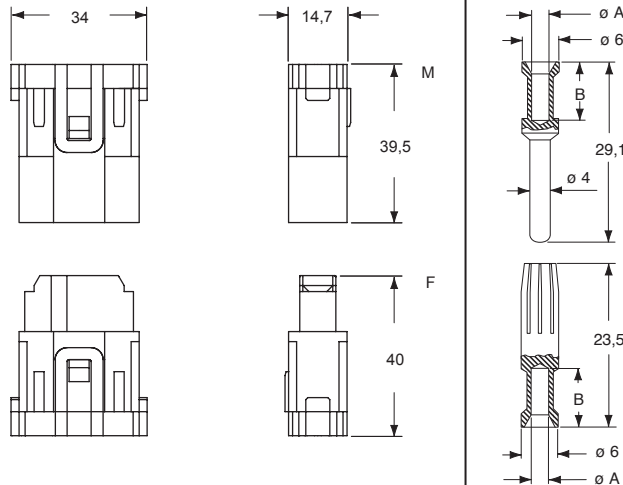
silver plated

40A male crimp contacts
1,5 mm² AWG 16
2,5 mm² AWG 14
4 mm² AWG 12
6 mm² AWG 10

CXMA 1.5
CXMA 2.5
CXMA 4.0
CXMA 6.0

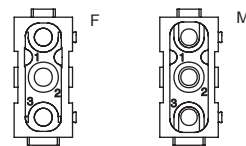
¹⁾ cable diameter up to 5 mm

- characteristics according to EN 61984:
- 40A 400/690V 6kV 3**
- cULus (UL for USA and Canada), certified
- rated voltage according to UL/CSA: 600V
- insulation resistance: ≥ 10 GΩ
- ambient temperature limit: -40 °C ... +125 °C
- made of self-extinguishing thermoplastic resin UL 94V-0
- mechanical life: ≥ 500 cycles
- contact resistance: ≤ 0,3 mΩ
- **it is recommended to crimp the contacts with crimping tools homologated by ILME** (please see the crimping tool section 40A contacts, CXF and CXM series) on pages 708 - 741
- for max. current load see the connector inserts derating diagram below; for more information see page 28



contacts side (front view)

side with reference arrow ▲



- 1 frame slot

CXF and CXM contacts

conductor section (mm ²)	conductor slot ø A (mm)	conductor stripping length B (mm)
1,5	1,8	9
2,5	2,2	9
4	2,85	9,6
6	3,5	9,6

CX 03 4, 3 poles connector inserts
Maximum current load derating diagram

