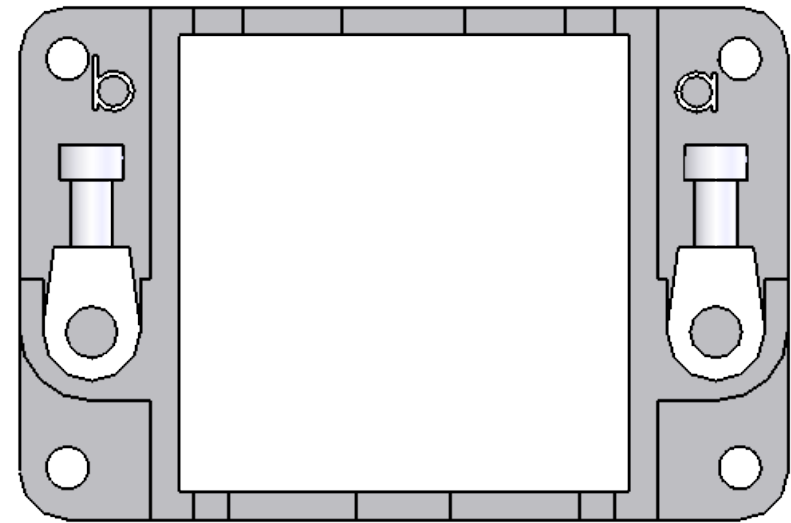
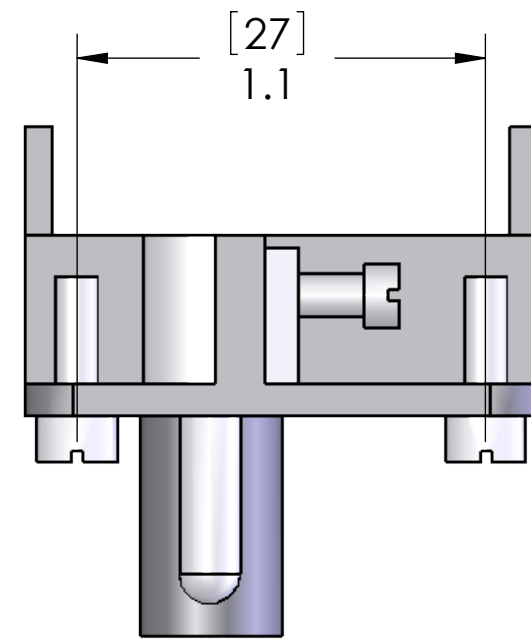
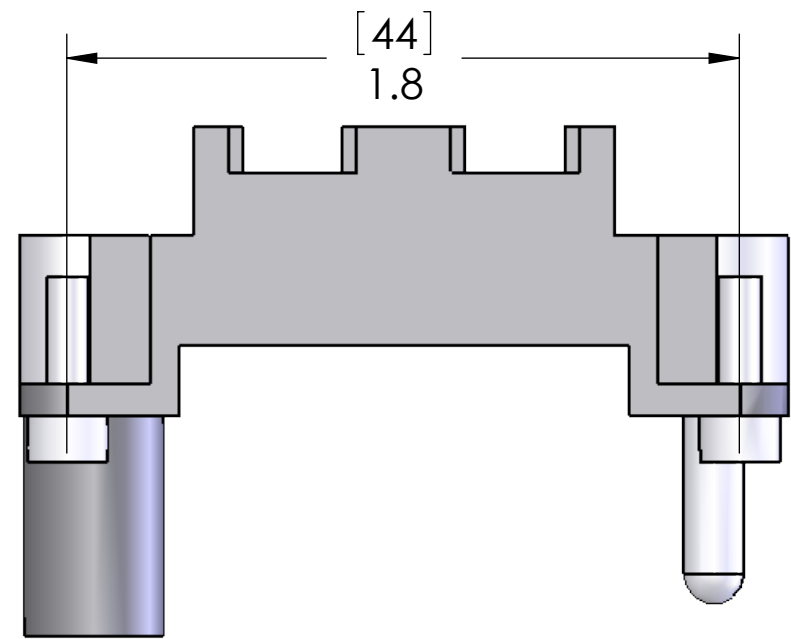


8 7 6 5 4 3 2 1

REVISIONS			
REV.	DESCRIPTION	DATE	APPROVED
A	REDRAWN IN SW	4/10/2006	BEM



FRAMES CAN BE USED IN EITHER HOODS OR HOUSINGS, FOR CORRECT COUPLING PLEASE USE BOTH FRAME TYPES (ONE WITH UPPER-CASE LETTERS AND THE OTHER WITH LOWER-CASE LETTERS)



MATERIALS	
FRAME:	DIE-CAST ZINC ALLOY
APPROVALS:	UL & CSA

**PROPRIETARY AND CONFIDENTIAL**  
 THE INFORMATION CONTAINED IN THIS DRAWING IS THE SOLE PROPERTY OF MENCOM CORPORATION. ANY REPRODUCTION IN PART OR AS A WHOLE WITHOUT THE WRITTEN PERMISSION OF MENCOM CORPORATION IS PROHIBITED.

	UNLESS OTHERWISE SPECIFIED:		NAME
	DIMENSIONS ARE IN INCHES AND [MM]	DRAWN	CAM
		CHECKED	
		ENG APPR.	
		MFG APPR.	
		Q.A.	
		COMMENTS:	
	MATERIAL		
	FINISH		
	DO NOT SCALE DRAWING		

MENCOM CORPORATION		
TITLE:		
Mixo Frame for 2 modular units		
SIZE	DWG. NO.	REV
<b>B</b>	CX-02TF	<b>A</b>
SCALE: 2:1	WEIGHT:	SHEET 1 OF 1

8 7 6 5 4 3 2 1