

HT 2 poles 16A - 2900/5000V

The modular inserts must be installed in suitable frames, which are then mounted in traditional enclosures* or in COB panel supports.

frames for modular units*

page: 316

* enclosures: bulkhead mounting housings, high construction housings or high construction hoods

high voltage modular units,
crimp connections
contact holder removal tool



16A crimp contacts
silver and gold plated

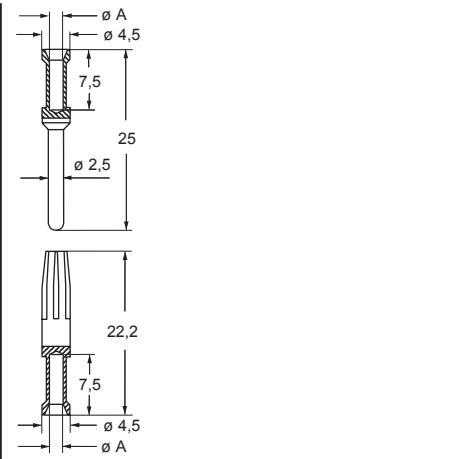
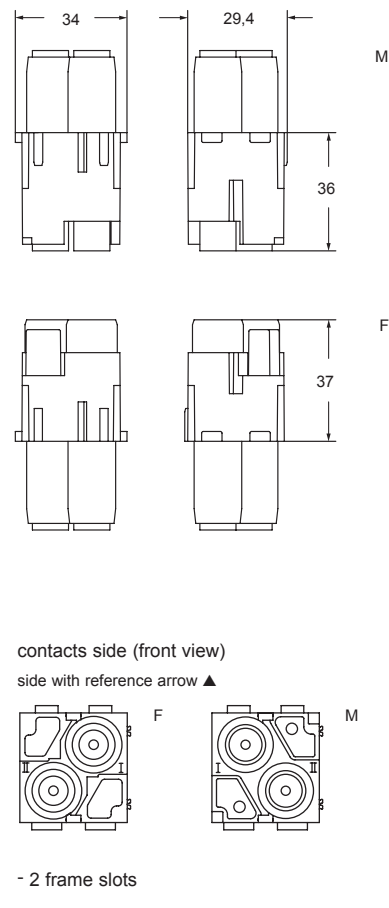


description	part No.	part No.
-------------	----------	----------

without contacts (to be ordered separately)		
high voltage female inserts for female contacts	CX 02 HF	
high voltage male inserts for male contacts	CX 02 HM	
contact holder removal tool	CHES	

16A female crimp contacts					silver plated		gold plated+	
0,5 mm ²	AWG 20	with no grooves	CCFA 0.5		CCFD 0.5			
0,75 mm ²	AWG 18	one groove (back side)	CCFA 0.7		CCFD 0.7			
1 mm ²	AWG 18	one groove	CCFA 1.0		CCFD 1.0			
1,5 mm ²	AWG 16	two grooves	CCFA 1.5		CCFD 1.5			
2,5 mm ²	AWG 14	three grooves	CCFA 2.5		CCFD 2.5			
3 mm ²	AWG 12	one wide groove	CCFA 3.0		CCFD 3.0			
4 mm ²	AWG 12	with no grooves	CCFA 4.0		CCFD 4.0			
16A male crimp contacts					silver plated		gold plated+	
0,5 mm ²	AWG 20	with no grooves	CCMA 0.5		CCMD 0.5			
0,75 mm ²	AWG 18	one groove (back side)	CCMA 0.7		CCMD 0.7			
1 mm ²	AWG 18	one groove	CCMA 1.0		CCMD 1.0			
1,5 mm ²	AWG 16	two grooves	CCMA 1.5		CCMD 1.5			
2,5 mm ²	AWG 14	three grooves	CCMA 2.5		CCMD 2.5			
3 mm ²	AWG 12	one wide groove	CCMA 3.0		CCMD 3.0			
4 mm ²	AWG 12	with no grooves	CCMA 4.0		CCMD 4.0			

- characteristics according to EN 61984 1):
16A 2900/5000V 15kV 3
- 1) used for guidance as applicable
- cURus, CSA, CQC, DNV-GL, BV, EAC pending
- insulation resistance: $\geq 10 \text{ G}\Omega$
- ambient temperature limit: $-40 \text{ }^\circ\text{C} \dots +125 \text{ }^\circ\text{C}$
- made of self-extinguishing thermoplastic resin UL 94V-0
- mechanical life: ≥ 500 cycles
- contact resistance: $\leq 1 \text{ m}\Omega$
- **it is recommended to crimp the contacts with crimping tools homologated by ILME** (please see the crimping tool section 16A contacts, CCF and CCM series) on pages 708 - 741
- contact holder removal tool: **CHES**



CCF and CCM contacts		
conductor section (mm ²)	conductor slot $\varnothing A$ (mm)	conductors stripping length (mm)
0,14-0,37	0,9	9,5
0,5	1,1	9,5
0,75	1,3	9,5
1,0	1,45	9,5
1,5	1,8	9,5
2,5	2,2	9,5
3	2,55	9,5
4	2,85	9,5

+ for basic or high thickness gold plating, please refer to page 675

MIXO INSERTS