

CX 02 BF/BM 2 seats for connector 1 pole + shield

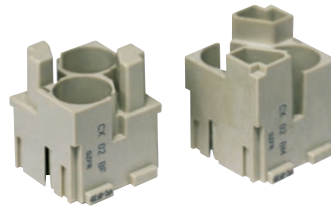
The modular inserts must be installed in suitable frames, which are then mounted in traditional enclosures* or in COB panel supports.

frames for modular units*

page: 316

* enclosures: bulkhead mounting housings, high construction housings or high construction hoods

modular units,
2-seat holder for shielded connectors



earthing adapter



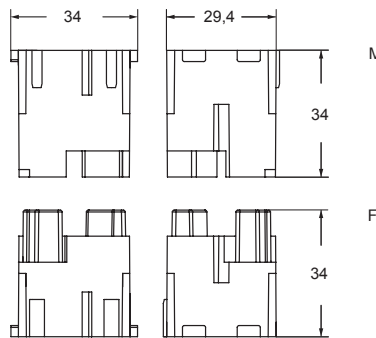
description	part No.	part No
-------------	----------	---------

2-seat holder for shielded connectors
female insert, two seats for BUS connectors
male insert, two seats for BUS connectors
earthing adapter (optional)

CX 02 BF
CX 02 BM

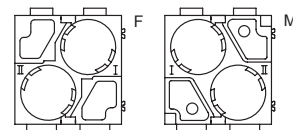
CR GND

- characteristics according to EN 61984:
50V 0,8kV 3
- certified
- rated voltage according to UL/CSA: 50V
- insulation resistance: $\geq 10 \text{ G}\Omega$
- ambient temperature limit: $-40 \text{ }^\circ\text{C} \dots +125 \text{ }^\circ\text{C}$
- made of self-extinguishing thermoplastic resin UL 94V-0
- suitable to hold in place any combination of up to two shielded connectors **CX 01 BC** (page 289), **CX 01 B** (page 291), **CX 04 B** (page 291) or **CX 08 B** (page 293)
- both the female and the male inserts may accept a combination of up to two shielded connectors of any gender, as far as the correct specular assignment is set on the mating connector
- extraction tool for BUS shielded connectors from MIXO BUS insert part No. **CX BES** see page 703

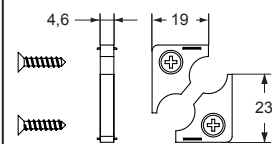


contacts side (front view)

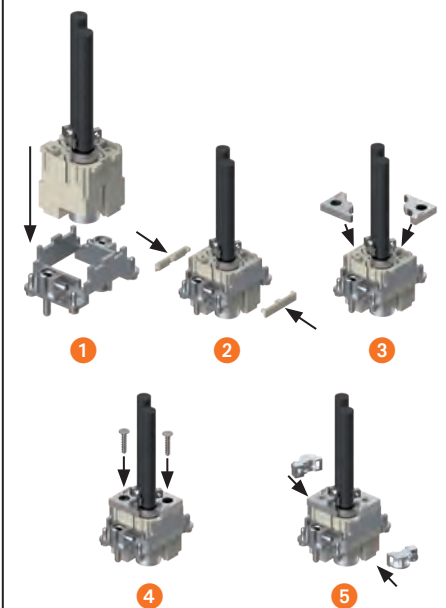
side with reference arrow ▲



- 2 frame slots



USE OF THE CR GND EARTHING ADAPTER



Note:
The shielded connectors have their shield insulated from the enclosure's earthing point.
If you wish to earth-connect the shield, install on the panel an anchorage for shielded cables **CR..ST** (see page 678) or the **CR GND** earthing adapter.



Watch our online tutorial