

Brief description: female insert, housing for RJ45 connectors, with 1 RJ45 female connector CAT. 6, 1 module, modular units series MIXO

D

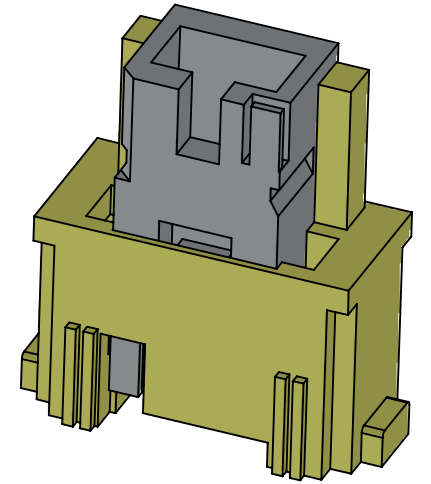
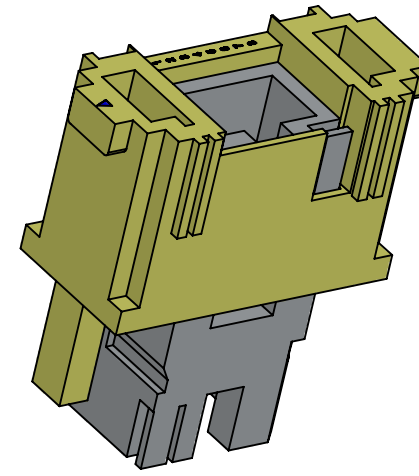
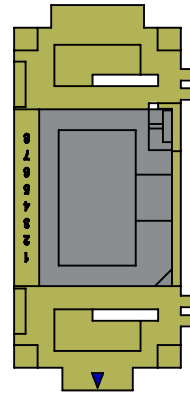
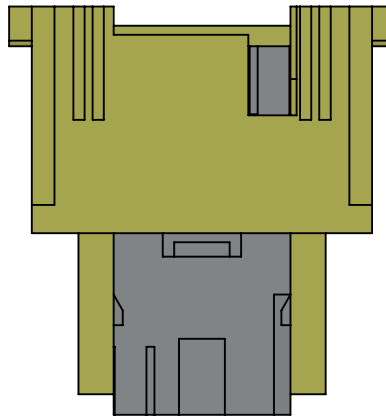
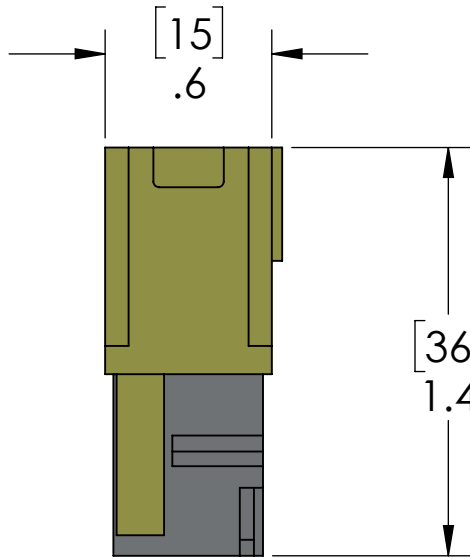
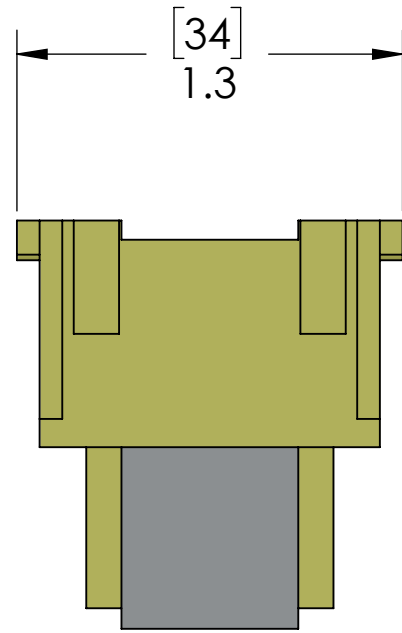
C

B

D

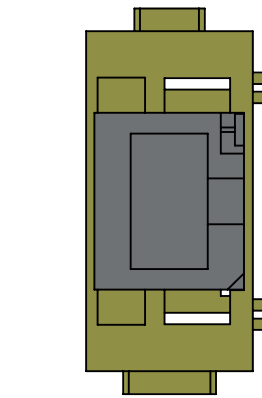
C

B



The modular inserts must be installed in suitable frames which are then mounted in traditional housings or COB panel support

| | |
|-------------------|--|
| HOUSING MATERIALS | |
| BODY: | SELF-EXTINGUISHING THERMOPLASTIC |
| SHIELD HOUSING: | NICKEL PLATED, ZINC DIECAST |
| CHARACTERISTICS | |
| TYPE: | RJ45 FEMALE INSERT, CAT6 CLASS E |
| EN 61984: | 1A 50V 0.8kV 3 |
| IP PROTECTION: | IP20 without enclosure; IP65/IP66/IP67/IP68 with enclosure |
| MECHANICAL LIFE: | >= 500 CYCLES |
| TEMP. RANGE: | -40C TO +70C |
| RECOMMENDED | FIX THE CABLE WITH CABLE TIE |
| APPROVALS | |
| QUALITY MARK: | : EAC |



PROPRIETARY AND CONFIDENTIAL
THE INFORMATION CONTAINED IN THIS DRAWING IS THE SOLE PROPERTY OF MENCOM CORPORATION. ANY REPRODUCTION IN PART OR AS A WHOLE WITHOUT THE WRITTEN PERMISSION OF MENCOM CORPORATION IS PROHIBITED.

| | | |
|--|------------|------------|
| UNLESS OTHERWISE SPECIFIED: DIMENSIONS ARE IN INCHES AND [MM] | DRAWN BY | DCG |
| | DRAWN DATE | 03/14/2018 |
| | CHECKED BY | ADM |
| | CHECK DATE | 03/14/2018 |
| MATERIAL | COMMENTS: | |
| FINISH | | |
| DO NOT SCALE DRAWING | | |

| | | |
|--|-----------------------|-----------------|
| MENCOM CORPORATION | | |
| TITLE: 1 PL MIXO FEM RJ45 CAT6 INSERT | | |
| SIZE B | DWG. NO. CX-01-J8F | REV A |
| SCALE: 3:2 | WEIGHT: | SHEET 1 OF 1 |

8

7

6

5

4

3

2

1

A

A