

# CT - CTS 64 poles + ⊕ 10A - 250V

enclosures \*):  
size "104.27"

page:

C-TYPE IP65/IP66	412
C7 IP67, two levers	441 - 442
V-TYPE IP65/IP66, single lever	459 - 460
W-TYPE for aggressive environments	524
E-Xtreme® corrosion proof	536, 545
EMC	581
Central lever	612
LS-TYPE	624

\*) only bulkhead mounted housings

- can be mated with CD inserts
- rear-mounted inserts

## terminal block inserts screw terminal connection



### Q SILVER PLATED CONTACTS

## terminal block inserts spring terminal connection



### Q SILVER PLATED CONTACTS

description	part No.	part No.	part No.	part No.
mounting side (see page 155)	left	right	left	right
female inserts with female contacts <sup>1)</sup>	<b>CTF 64 L</b>	<b>CTF 64 R</b>	<b>CTSF 64 L</b>	<b>CTSF 64 R</b>
male inserts with male contacts <sup>1)</sup>	<b>CTM 64 L</b>	<b>CTM 64 R</b>	<b>CTSM 64 L</b>	<b>CTSM 64 R</b>
mounting side (see page 155)				
female inserts with female contacts				
male inserts with male contacts				

<sup>1)</sup> for non-prepared conductors

- characteristics according to EN 61984:

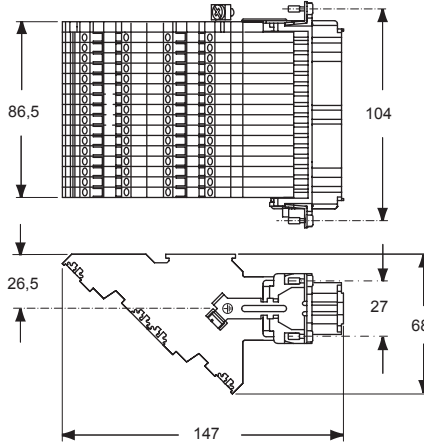
**10A 250V 4kV 3**  
**10A 230/400V 4kV 2**

- certified (CT)

- certified (CTS)

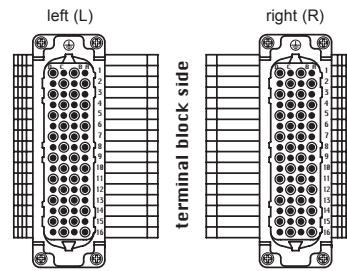
- rated voltage according to UL/CSA: 600V
- insulation resistance:  $\geq 10 \text{ G}\Omega$
- ambient temperature limit:  $-40 \text{ }^\circ\text{C} \dots +125 \text{ }^\circ\text{C}$
- made of self-extinguishing thermoplastic resin UL 94V-0
- mechanical life:  $\geq 500$  cycles
- contact resistance:  $\leq 4 \text{ m}\Omega$
- for max. current load see the connector inserts derating diagram below; for more information see page 28

### female inserts (CTF and CTSF)

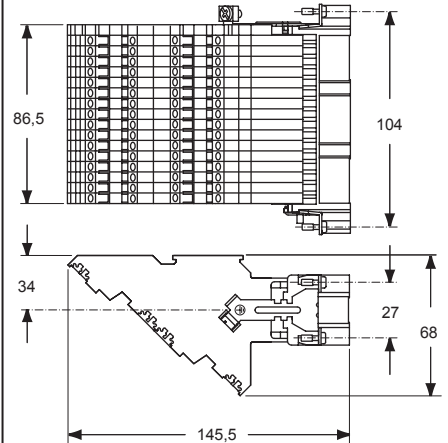


contacts side (front view)

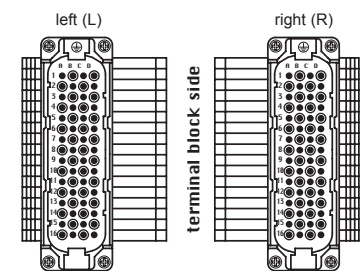
### female inserts (CTF and CTSF)



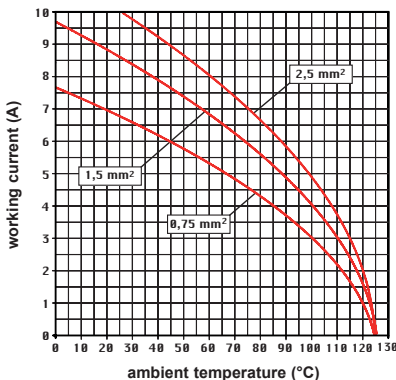
### male inserts (CTM and CTSM)



### male inserts (CTM and CTSM)



CT and CTS 64 poles connector inserts  
Maximum current load derating diagram



- CT inserts with plate, for section conductors: 0,75 - 2,5 mm<sup>2</sup> - AWG 18 - 14
- conductors stripping length: 9...11 mm
- terminal screw torque: 0,4 Nm (3,54 lb.in), for more information see page 20 and 21

- CTS spring inserts for section conductors: effective sections for non-prepared conductors 0,14 - 2,5 mm<sup>2</sup> - AWG 26 - 14
- effective sections for prepared conductors 0,14 - 1 mm<sup>2</sup> - AWG 26 - 18
- conductors stripping length: 9...11 mm

### Connection technology with spring terminal

