

CT - CTS 40 poles + ⊕ 10A - 250V

enclosures *):
size "77.27"

page:

C-TYPE IP65/IP66	402
C7 IP67, two levers	439 - 440
V-TYPE IP65/IP66, single lever	454 - 455
W-TYPE for aggressive environments	523
E-Xtreme® corrosion proof	534, 544
EMC	580
Central lever	609
LS-TYPE	622

*) only bulkhead mounted housings

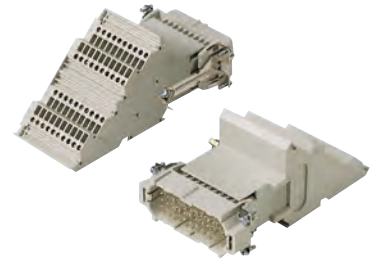
- can be mated with CD inserts
- rear-mounted inserts

terminal block inserts screw terminal connection



Q SILVER PLATED CONTACTS

terminal block inserts spring terminal connection



Q SILVER PLATED CONTACTS

description	part No.	part No.	part No.	part No.
mounting side (see page 155)	left	right	left	right
female inserts with female contacts ¹⁾	CTF 40 L	CTF 40 R	CTSF 40 L	CTSF 40 R
male inserts with male contacts ¹⁾	CTM 40 L	CTM 40 R	CTSM 40 L	CTSM 40 R
mounting side (see page 155)				
female inserts with female contacts				
male inserts with male contacts				

1) for non-prepared conductors

- characteristics according to EN 61984:

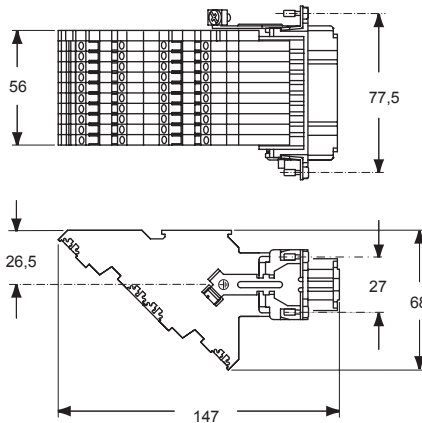
10A 250V 4kV 3
10A 230/400V 4kV 2

- certified (CT)

- certified (CTS)

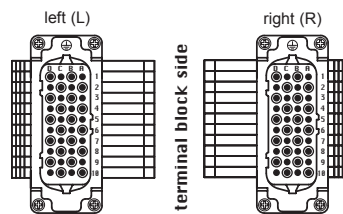
- rated voltage according to UL/CSA: 600V
- insulation resistance: ≥ 10 GΩ
- ambient temperature limit: -40 °C ... +125 °C
- made of self-extinguishing thermoplastic resin UL 94V-0
- mechanical life: ≥ 500 cycles
- contact resistance: ≤ 4 mΩ
- for max. current load see the connector inserts derating diagram below; for more information see page 28

female inserts (CTF and CTSF)

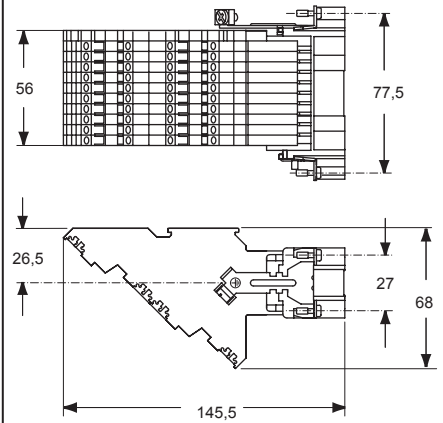


contacts side (front view)

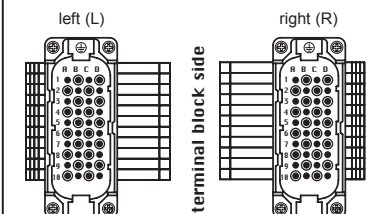
female inserts (CTF and CTSF)



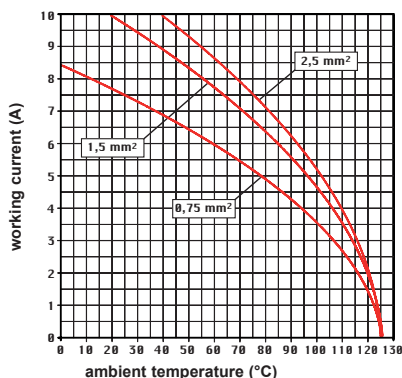
male inserts (CTM and CTSM)



male inserts (CTM and CTSM)



CT and CTS 40 poles connector inserts
Maximum current load derating diagram



- CT inserts with plate, for section conductors: 0,75 - 2,5 mm² - AWG 18 - 14
- conductors stripping length: 12 mm
- terminal screw torque: 0,4 Nm (3,54 lb.in), for more information see page 20 and 21

- CTS spring inserts for section conductors: effective sections for non-prepared conductors 0,14 - 2,5 mm² - AWG 26 - 14
- effective sections for prepared conductors 0,14 - 1 mm² - AWG 26 - 18
- conductors stripping length: 9...11 mm

Connection technology with spring terminal

