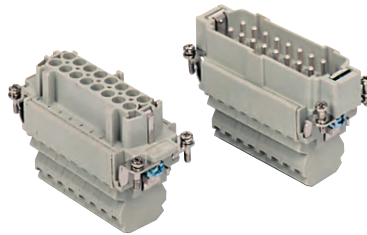


# CSS 16 poles + ⊕ 16A - 500V

enclosures: size "77.27"	page:
C-TYPE IP65/IP66	402 - 411
C7 IP67, two levers	439 - 440
V-TYPE IP65/IP66, single lever	454 - 458
BIG hoods	470 - 471
T-TYPE IP65 insulating	484 - 485
T-TYPE / W IP66/IP69 insulating	491
HYGIENIC T-TYPE / H IP66/IP69	503
HYGIENIC T-TYPE / C IP66/IP69, -50 °C	508
W-TYPE for aggressive environments	523
E-Xtreme® corrosion proof	534 - 535, 544, 554 - 555
EMC	580
Central lever	609 - 611
LS-TYPE	622 - 623
IP68	640 - 643
panel supports: COB	page: 652 - 653

inserts,  
connection with dual spring  
terminal per pole



can be mated with CNE, CCE, CTSE, CSH inserts

description

part No.

- dual spring terminal per pole
- female inserts with female contacts
- male inserts with male contacts

CSSF 16  
CSSM 16

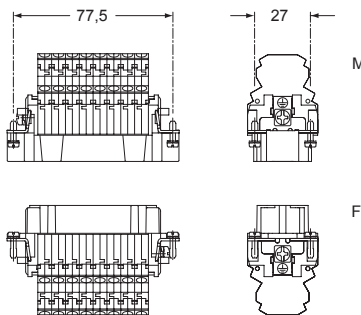
The CSS series inserts can be inserted in flush mounted enclosures or in fixed / portable high enclosures.

- characteristics according to EN 61984:

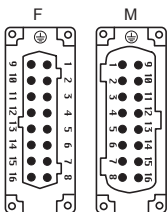
**16A 500V 6kV 3**  
**16A 400/690V 6kV 2**

- certified

- rated voltage according to UL/CSA: 600V
- insulation resistance:  $\geq 10 \text{ G}\Omega$
- ambient temperature limit:  $-40 \text{ }^\circ\text{C} \dots +125 \text{ }^\circ\text{C}$
- made of self-extinguishing thermoplastic resin UL 94V-0
- mechanical life:  $\geq 500$  cycles
- contact resistance:  $\leq 3 \text{ m}\Omega$
- for max. current load see the connector inserts derating diagram below; for more information see page 28

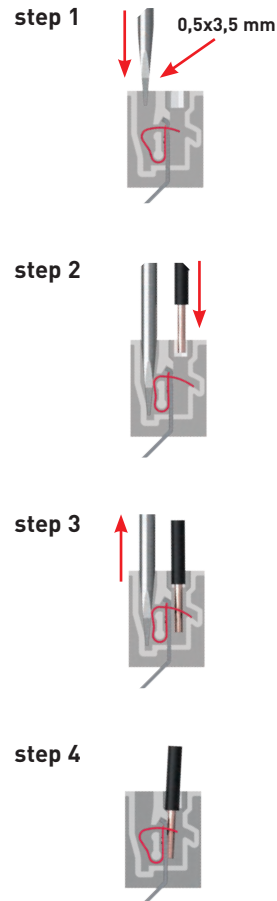


contacts side (front view)



- inserts with plate for section conductors: 0,14 - 2,5 mm<sup>2</sup> - AWG 26 - 14
- conductors stripping length: 9...11 mm

### Connection technology



CSS 16 poles connector inserts  
Maximum current load derating diagram

