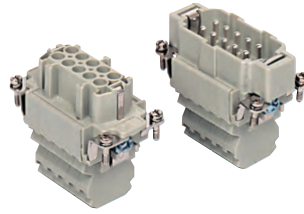


CSS 10 poles + ⊕ 16A - 500V

enclosures: size "57.27"	page:
C-TYPE IP65/IP66	393 - 401
C7 IP67, two levers	438
V-TYPE IP65/IP66, single lever	448 - 453
BIG hoods	468 - 469
T-TYPE IP65 insulating	482 - 483
T-TYPE / W IP66/IP69 insulating	490
HYGIENIC T-TYPE / H IP66/IP69	502
HYGIENIC T-TYPE / C IP66/IP69, -50 °C	507
W-TYPE for aggressive environments	522
E-Xtreme® corrosion proof	532 - 533, 543, 552 - 553
EMC	579
Central lever	606 - 608
LS-TYPE	620 - 621
IP68	636 - 639
panel supports: COB	page: 652 - 653

inserts,
connection with dual spring
terminal per pole



can be mated with CNE, CCE, CTSE, CSH inserts

description	part No.
-------------	----------

dual spring terminal per pole
female inserts with female contacts
male inserts with male contacts

CSSF 10
CSSM 10

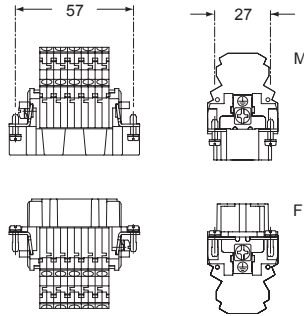
The CSS series inserts can be inserted in flush mounted enclosures or in fixed / portable high enclosures.

- characteristics according to EN 61984:

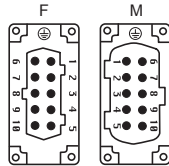
16A 500V 6kV 3
16A 400/690V 6kV 2

- certified

- rated voltage according to UL/CSA: 600V
- insulation resistance: $\geq 10 \text{ G}\Omega$
- ambient temperature limit: $-40 \text{ }^\circ\text{C} \dots +125 \text{ }^\circ\text{C}$
- made of self-extinguishing thermoplastic resin UL 94V-0
- mechanical life: ≥ 500 cycles
- contact resistance: $\leq 3 \text{ m}\Omega$
- for max. current load see the connector inserts derating diagram below; for more information see page 28

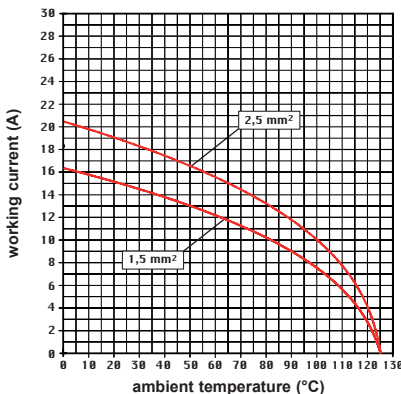


contacts side (front view)



- inserts with plate for section conductors: 0,14 - 2,5 mm² - AWG 26 - 14
- conductors stripping length: 9...11 mm

CSS 10 poles connector inserts
Maximum current load derating diagram



Connection technology

