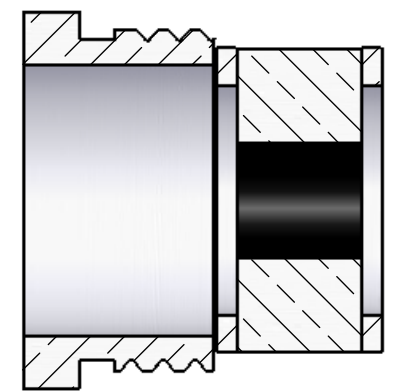
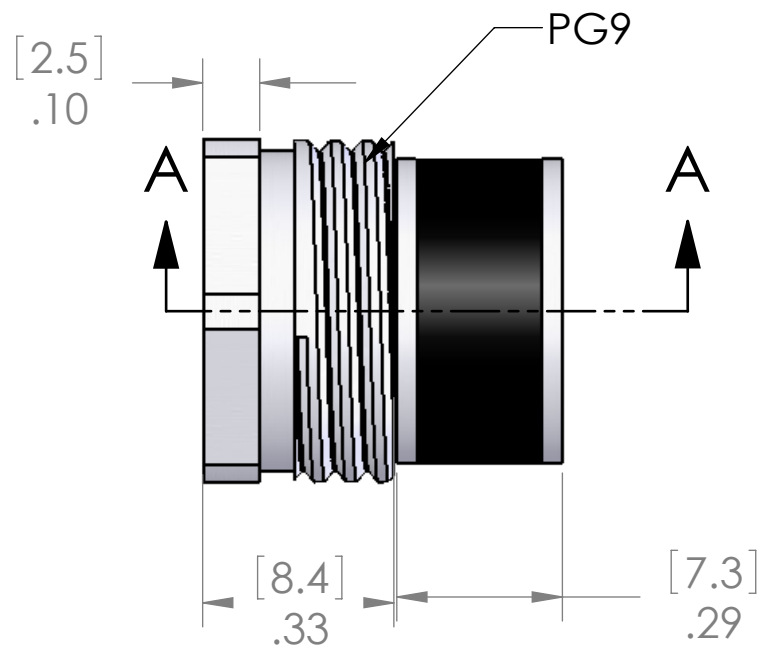
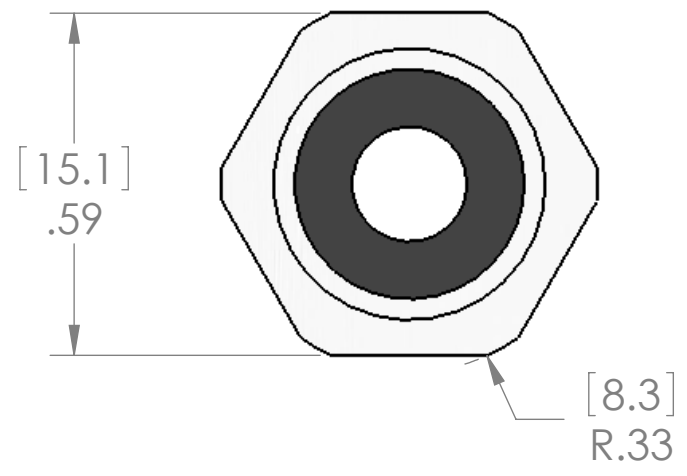


8 7 6 5 4 3 2 1

REVISIONS			
REV.	DESCRIPTION	DATE	APPROVED
A	REDRAWN IN SW	11/11/2009	



SECTION A-A



IP 55 SEAL FOR 4MM - 11MM

GLAND BOLT:	NICKEL PLATED BRASS
RINGS:	ZINC PLATED STEEL
GROMMET:	PLASTICIZED RUBBER

**PROPRIETARY AND CONFIDENTIAL**  
 THE INFORMATION CONTAINED IN THIS DRAWING IS THE SOLE PROPERTY OF MENCOM CORPORATION. ANY REPRODUCTION IN PART OR AS A WHOLE WITHOUT THE WRITTEN PERMISSION OF MENCOM CORPORATION IS PROHIBITED.

UNLESS OTHERWISE SPECIFIED:	
DIMENSIONS ARE IN INCHES & [MM]	
MATERIAL	
FINISH	
DO NOT SCALE DRAWING	

NAME	MENCOM CORPORATION	
DRAWN	CAM	
CHECKED		
ENG APPR.		
MFG APPR.		
Q.A.		
COMMENTS:		
TITLE:	PG13.5 GLAND SEAL	
SIZE	DWG. NO.	REV
<b>B</b>	CRT-09	<b>A</b>
SCALE: 3:1	WEIGHT:	SHEET 1 OF 1

8 7 6 5 4 3 2 1