

CQ 4 poles (40A - 400/690V) + 2 poles (10A - 250V) + ⊕

enclosures:
size "32.13"

page:

insulating type
EMC

365 - 367
573 - 574

ISO 23570-3 standard and
DESINA specification
compliant



inserts, crimp connections



40A and 10A crimp contacts silver and gold plated



description

part No.

part No

without contacts (to be ordered separately)
female inserts for female contacts
male inserts for male contacts

CQF 04/2
CQM 04/2

40A female crimp contacts
1,5 mm² AWG 16
2,5 mm² AWG 14
4 mm² AWG 12
6 mm² AWG 10

40A male crimp contacts
1,5 mm² AWG 16
2,5 mm² AWG 14
4 mm² AWG 12
6 mm² AWG 10

10A female contacts
0,14-0,37 mm² AWG 26-22 identification No. 1
0,5 mm² AWG 20 identification No. 2
0,75 mm² AWG 18 identification No. ②
1 mm² AWG 18 identification No. 3
1,5 mm² AWG 16 identification No. 4
2,5 mm² AWG 14 identification No. 5

10A male contacts
0,14-0,37 mm² AWG 26-22 identification No. 1
0,5 mm² AWG 20 identification No. 2
0,75 mm² AWG 18 identification No. ②
1 mm² AWG 18 identification No. 3
1,5 mm² AWG 16 identification No. 4
2,5 mm² AWG 14 identification No. 5

CXFA 1.5
CXFA 2.5
CXFA 4.0
CXFA 6.0

CXMA 1.5
CXMA 2.5
CXMA 4.0
CXMA 6.0

CDFA 0.3
CDFA 0.5
CDFA 0.7
CDFA 1.0
CDFA 1.5
CDFA 2.5

CDMA 0.3
CDMA 0.5
CDMA 0.7
CDMA 1.0
CDMA 1.5
CDMA 2.5

+ for basic or high
thickness gold
plating, please refer
to page 674

silver plated

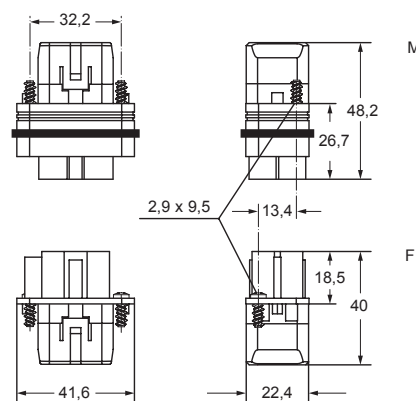
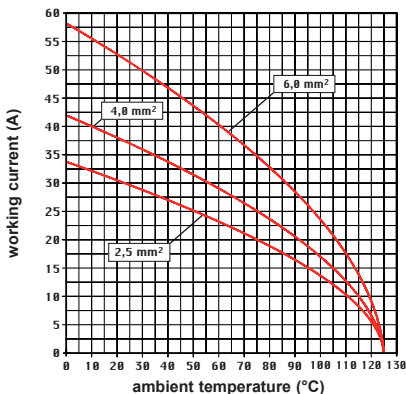
gold plated⁺

- characteristics according to EN 61984:
4 poles 40A 400/690V 6kV 3
2 poles 10A 250V 4kV 3

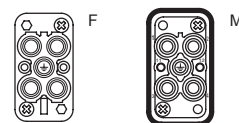
- cULus (UL for USA and Canada), SB, CQC, DNV-GL
BUREAU VERITAS ERI certified

- rated voltage according to UL/CSA: 600V
- insulation resistance: ≥ 10 GΩ
- ambient temperature limit: -40 °C ... +125 °C
- made of self-extinguishing thermoplastic resin UL 94V-0
- mechanical life: ≥ 500 cycles
- contact resistance: ≤ 0,3 mΩ (4 poles), ≤ 3 mΩ (2 poles)
- for max. current load see the connector inserts derating diagram below; for more information see page 28

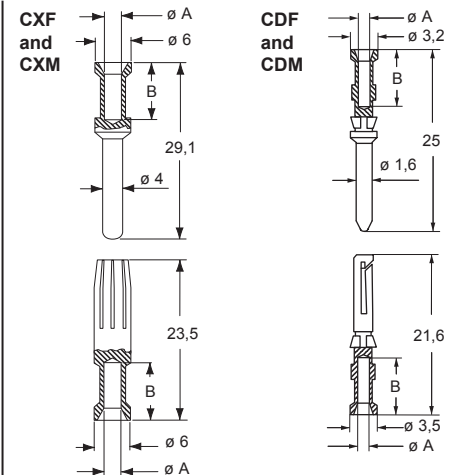
CQ 04/2 power poles connector inserts
Maximum current load derating diagram



contacts side (front view)



- each insert supplied with 2 fixing screws, self-tapping, zinc plated steel Ø2,9x9,5 mm, Ph1
- it is recommended to crimp the contacts with crimping tools homologated by ILME (please see the crimping tool section 40A contacts, CXF, CXM series and 10A contacts CDF, CDM series on pages 708 - 741)



CXF and CXM contacts

conductor section mm ²	conductor slot Ø A (mm)	conductors stripping length B (mm)
1,5	1,8	9
2,5	2,2	9
4	2,85	9,6
6	3,5	9,6

CDF and CDM contacts

0,14-0,37	0,9	8
0,5	1,1	8
0,75	1,3	8
1,0	1,45	8
1,5	1,8	8
2,5	2,2	6