

CQ 8 poles + ⊕ 16A - 500V

enclosures:
size "32.13"

page:

insulating type
EMC

365 - 367
573 - 574

- can also be used partially fitted with 4 mm² section contacts

ISO 23570-3 standard and
DESINA. specification
compliant



inserts, crimp connections



16A crimp contacts standard or for advanced opening silver and gold plated



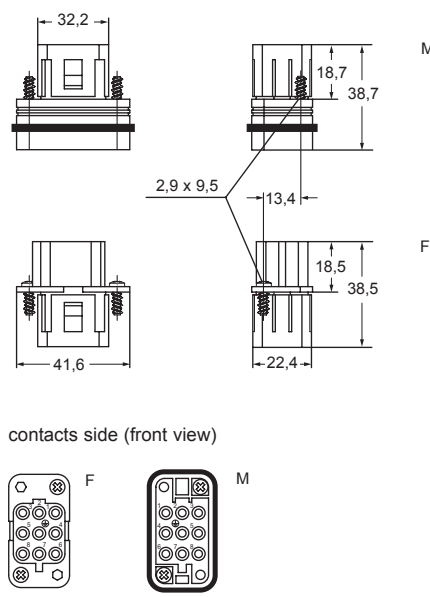
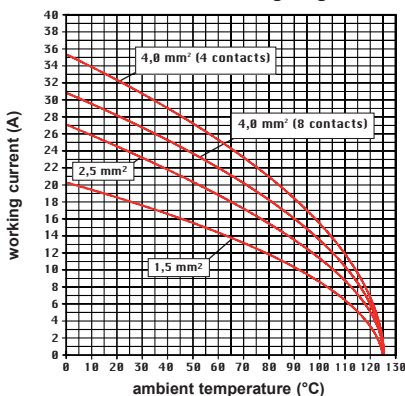
STANDARD

ADVANCED OPENING

description	part No.	part No.
without contacts (to be ordered separately)		
female inserts for female contacts	CQF 08	
male inserts for male contacts	CQM 08	
16A female contacts		
0,14-0,37 mm ² AWG 26-22 one groove	CCFA 0.3	CCFD 0.3
0,5 mm ² AWG 20 with no grooves	CCFA 0.5	CCFD 0.5
0,75 mm ² AWG 18 one groove (back side)	CCFA 0.7	CCFD 0.7
1 mm ² AWG 18 one groove	CCFA 1.0	CCFD 1.0
1,5 mm ² AWG 16 two grooves	CCFA 1.5	CCFD 1.5
2,5 mm ² AWG 14 three grooves	CCFA 2.5	CCFD 2.5
3 mm ² AWG 12 one wide groove	CCFA 3.0	CCFD 3.0
4 mm ² AWG 12 with no grooves	CCFA 4.0	CCFD 4.0
16A male contacts		
0,14-0,37 mm ² AWG 26-22 one groove	CCMA 0.3	CCMD 0.3
0,5 mm ² AWG 20 with no grooves	CCMA 0.5	CCMD 0.5
0,75 mm ² AWG 18 one groove (back side)	CCMA 0.7	CCMD 0.7
1 mm ² AWG 18 one groove	CCMA 1.0	CCMD 1.0
1,5 mm ² AWG 16t wo grooves	CCMA 1.5	CCMD 1.5
2,5 mm ² AWG 14 three grooves	CCMA 2.5	CCMD 2.5
3 mm ² AWG 12 one wide groove	CCMA 3.0	CCMD 3.0
4 mm ² AWG 12 with no grooves	CCMA 4.0	CCMD 4.0
16A male crimp contacts for advanced opening		
0,5 mm ² AWG 20 with no grooves	CC 0.5 AN	* for basic or high thickness gold plating, please refer to page 675
0,75 mm ² AWG 18 one groove (back side)	CC 0.7 AN	
1 mm ² AWG 18 one groove	CC 1.0 AN	
1,5 mm ² AWG 16 two grooves	CC 1.5 AN	
2,5 mm ² AWG 14 three grooves	CC 2.5 AN	

- characteristics according to EN 61984:
- 16A 500V 6kV 3**
- 16A 400/690V 8kV 2**
- cULus (UL for USA and Canada), SR, CCC, DNV-GL
- BUREAU VERITAS ERI certified
- rated voltage according to UL/CSA: 600V
- insulation resistance: ≥ 10 GΩ
- ambient temperature limit: -40 °C ... +125 °C
- made of self-extinguishing thermoplastic resin UL 94V-0
- mechanical life: ≥ 500 cycles
- contact resistance: ≤ 3 mΩ
- for max. current load see the connector inserts derating diagram below; for more information see page 28

CQ 08 poles connector inserts
Maximum current load derating diagram



- each insert supplied with 2 fixing screws, self-tapping, zinc plated steel Ø2,9x9,5 mm, Ph1
- it is recommended to crimp the contacts with crimping tools homologated by ILME (please see the crimping tool section 16A contacts, CCF, CCM and CC...AN series on pages 708 - 741)

CCF and CCM		CC...AN
conductor section mm ²	conductor slot ø A (mm)	conductors stripping length (mm)
0,14-0,37	0,9	7,5
0,5	1,1	7,5
0,75	1,3	7,5
1,0	1,45	7,5
1,5	1,8	7,5
2,5	2,2	7,5
3	2,55	7,5
4	2,85	7,5