

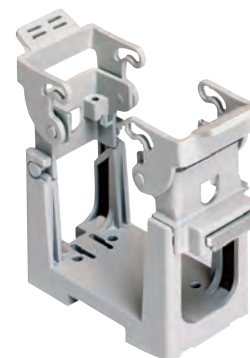
COB panel supports for multipole connectors

inserts		page:
CD	40, 64 poles + ⊕	70, 72
CDD	24, 42, 72, 108 poles + ⊕	76 - 81
CDS	9, 18, 27, 42 poles + ⊕	-
CDSH	9, 18, 27, 42 poles + ⊕	86 - 89
CDSH NC	6 poles + ⊕	95
CNE	6, 10, 16, 24 poles + ⊕	110 - 113
CSE	6, 10, 16, 24 poles + ⊕	-
CSH	6, 10, 16, 24 poles + ⊕	110 - 113
CSH S	6, 10, 16, 24 poles + ⊕	122 - 125
CCE	6, 10, 16, 24 poles + ⊕	130 - 133
CME	3+2, 6+2, 10+2 (aux) poles + ⊕	136 - 140
CMSH	3+2, 6+2, 10+2 (aux) poles + ⊕	136 - 140
CMCE	3+2, 6+2, 10+2 (aux) poles + ⊕	137 - 141
CSS	6, 10, 16, 24 poles + ⊕	148 - 151
CQE	10, 18, 32, 46 poles + ⊕	168 - 171
CQEE	40, 64 poles + ⊕	176 - 177
CP	6 poles + ⊕	178
CX	8/24, 6/36, 12/2 poles + ⊕	194 - 199
CX	4/0, 4/2, 4/8, 6/6 poles + ⊕	200 - 206
MIXO	2, 3, 4, 6 modules	262 - 317

connector carrier for faceplate mounting in window, snap fastening



connector carrier baseplate for mounting on DIN EN 60715 rail or fixed mounting using screws



description

part No.

part No.

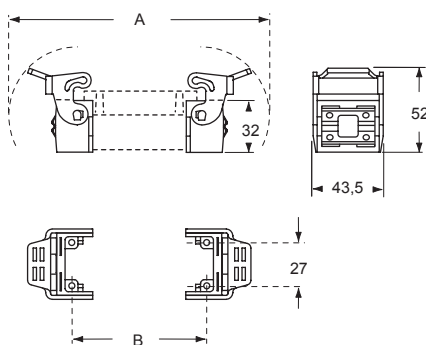
kit with 2 elements, for coupling of inserts with screw fixing centre distance (short side = 27 mm)

COB TCQ

kit comprising frame and mobile blocks, for insert coupling: with screw fixing centre distance of 44 x 27 mm with screw fixing centre distance of 57 x 27 mm with screw fixing centre distance of 77,5 x 27 mm with screw fixing centre distance of 104 x 27 mm

It is the responsibility of the installer to verify the continuity of the PE protective earth circuit ⊕ between the two halves of the connector.

COB TCQ

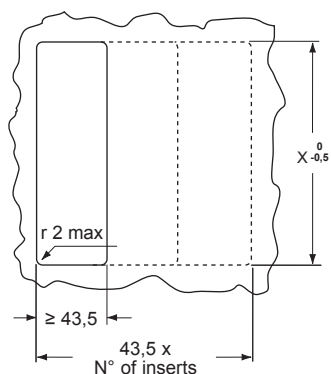


COB TCQ

for inserts	A	B
with centre distance 44 x 27 mm	120	44
with centre distance 57 x 27 mm	133	57
with centre distance 77,5 x 27 mm	153,5	77,5
with centre distance 104 x 27 mm	180	104

panel cut-out COB TCQ

window size on plate thickness 1,3-3 mm



for insert coupling:	X_{0,5}
with centre distance 44 x 27 mm	65
with centre distance 57 x 27 mm	78
with centre distance 77,5 x 27 mm	98
with centre distance 104 x 27 mm	125

COB 06 BC

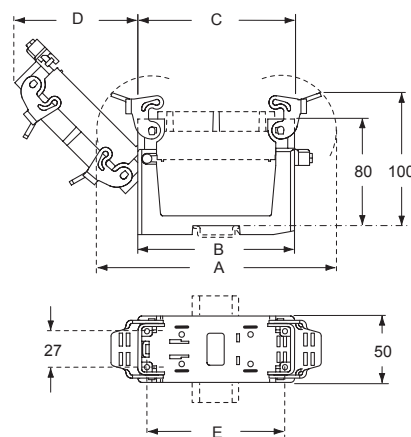
COB 10 BC

COB 16 BC

COB 24 BC

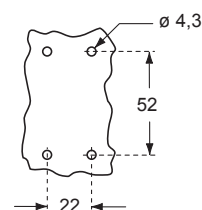
COB BC

overall dimensions with longitudinal DIN rails

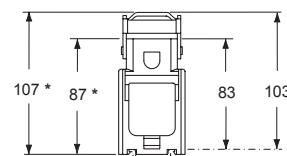


part No.	A	B	C	D	E
COB 06 BC	120	91,5	58	50	44
COB 10 BC	133	91,5	71	59,5	57
COB 16 BC	153,5	91,5	91,5	74	77,5
COB 24 BC	180	118	118	93	104

panel cut-out COB BC



overall dimensions without DIN rails (values with "asterisk") overall dimensions with transverse DIN rails



Optional PE earth jumpers (page 655)

