

HEAVY DUTY
RECTANGULAR
CONNECTOR

KIT



Reliable Connectivity

High-Quality Construction

Kits, Receptacles and Cable Glands

Designed to reduce labor time & costs associated with the installation



Contents

Rectangular Connector Kits	Part Number Matrix		1
	Metal Housing	3 Pole	2
		4 Pole	2
		6 Pole	3
		10 Pole	4 ~ 5
		16 Pole	6 ~ 7
	24 Pole	8 ~ 9	
	Plastic Housing	3 Pole	10
		4 Pole	10
		6 Pole	11
10 Pole		12	
16 Pole		13	
24 Pole		14	
Rectangular Connector Receptacles	Part Number Matrix		15
	Metal Housing	6 Pole	16
		10 Pole	16
		16 Pole	17
24 Pole		17	
Cable Glands Metric Threads	Brass		18
	Plastic		19
	Dual Grommet Plastic		20
	EMI Shielding Brass		21
	Explosion-Proof Brass	Brass	22
		Plastic	23
	Accessories	Nuts	24



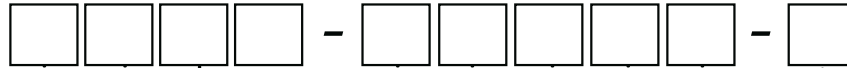


Rectangular Connector Kits

Rectangular Connector Kits Part Number Matrix



Not all options available with all components - Please consult factory



Entry Threading Type

C	= PG Threading	
M	= Metric Threading	Standard
T	= NPT Threading	
Z	= PG Threading	
ZM	= Metric Threading	CZ Series
ZT	= NPT Threading	
K	= PG Threading	
KA	= PG Threading R/A	
KM	= Metric Threading	CK Series
KMA	= Metric Threading R/A	
KT	= NPT Threading	
KTA	= NPT Threading R/A	

Termination Type

N	= Screw Terminal
Q	= Squich Cage Clamp
S	= Standard Cage Clamp
SS	= High-Density Cage Clamp
C*	= Crimp
CC	= High-Density Crimp

* Crimp pins included. 2 pins more than the inserts, please consult the factory.

Lever Type

L	= Single Lever
D	= Double Lever
C	= Center Lever

Housing Type

S	= Standard Gray Housing
Z	= V-Type Latch on Gray Housing
T	= Thermoplastic Housing
W	= Aggressive Environment Housing
R	= Hi-Temp Housing
E	= EMC Housing

Number of Conductors

- 3
- 4
- 6
- 10
- 16
- 24

More pole configurations are available, please consult the factory.

Wire AWG

0.3	= 26-22 AWG
0.5	= 20 AWG
1.0	= 18 AWG
1.5	= 16 AWG
2.5	= 14 AWG
4.0	= 12 AWG
6.0	= 10 AWG

Hood Entry Threads

Metric Threads	PG Threads	NPT Threads
16 = M16	11 = PG11	38 = 3/8" NPT
20 = M20	13 = PG13.5	12 = 1/2" NPT
25 = M25	16 = PG16	34 = 3/4" NPT
32 = M32	21 = PG21	10 = 1.0" NPT
40 = M40	29 = PG29	14 = 1.25" NPT
	36 = PG36	15 = 1.5" NPT
	42 = PG42	
	48 = PG48	

Hood Entry Type

O	= Side Entry Hood
OA	= Side Entry Hood, High Construction
V	= Top Entry Hood
VA	= Top Entry Hood, High Construction
G	= Top Entry Hood With Latch
GA	= Top Entry Hood With Latch, High Construction

Number of Entries

Blank	= One Entry
2	= Surface Mount Base With Two Entries

Mount Base Type

I	= Bulkhead Mount Base
I7	= Bulkhead Mount Base (C7I)
ILS	= Bulkhead Mount Base, With Cover
P	= Surface Mount Base
P7	= Surface Mount Base (C7P)
PS	= Surface Mount Base, With Cover
PA	= Surface Mount Base, High Construction
PAS	= Surface Mount Base, High Construction, With Cover
V	= Hood*
VA	= Hood, High Construction*

* Next digit will automatically be a G to do an in-line connection



Rectangular Connector Kits

3 & 4 Pole Kits, Metal Housing



Size 21.21 | 3 & 4 Pole | 600V, 10A | Metal Housing | Single Lever | IP66/67 Rating



Screw Terminal Inserts, Single Lever							
# of Poles	Kit Part #	Entry Type	Entry Threads	Hood	Male Insert	Female Insert	Base
3 +	KMNLS-03IV20	Top Entry	M20	MKA-V20	CKM-03	CKF-03	CKAX-03I
	KMNLS-03IO20	Side Entry	M20	MKA-VA20	CKM-03	CKF-03	CKAX-03I
4 +	KMNLS-04IV20	Top Entry	M20	MKA-V20	CKM-04	CKF-04	CKAX-03I
	KMNLS-04IO20	Side Entry	M20	MKA-VA20	CKM-04	CKF-04	CKAX-03I
Squich (Tool-less Spring) Inserts, Single Lever							
3 +	KMQLS-03IV20	Top Entry	M20	MKA-V20	CKSHM-03	CKSHF-03	CKAX-03I
	KMQLS-03IO20	Side Entry	M20	MKA-VA20	CKSHM-03	CKSHF-03	CKAX-03I
4 +	KMQLS-04IV20	Top Entry	M20	MKA-V20	CKSHM-04	CKSHF-04	CKAX-03I
	KMQLS-04IO20	Side Entry	M20	MKA-VA20	CKSHM-04	CKSHF-04	CKAX-03I

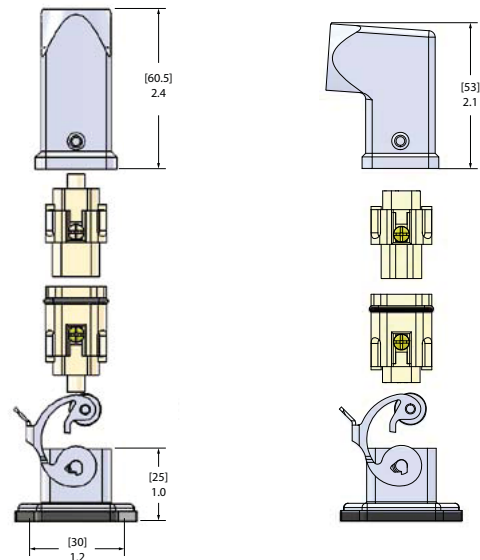
Each kit includes the base housing, male insert, female insert and hood. Hoods shown have M20 metric entry. PG & NPT threads also available. Cable gland sold separately. The 3 and 4 pole kits also include an optional washer kit as described below.



To obtain the protection rating IP66/IP67 a kit is provided that includes a screw and washer. The fixing screws supplied with the inserts must be removed and discarded and the new screw and washer must be installed (see illustration).

Specifications:

- AWG: 26 - 14 AWG
- Lever Material: Stainless Steel
- Other Approvals: NEMA 4/4X/12
- IP rating: IP 66/67 (IP 44 without optional washer)



Top Entry

Side Entry



Rectangular Connector Kits

6 Pole Kits, Metal Housing



Size 44.27 | 6 Pole | 600V, 16A | Metal Housing | Single Lever | IP66 Rating



Screw Terminal Inserts, Single Lever							
# of Poles	Kit Part #	Entry Type	Entry Threads	Hood	Male Insert	Female Insert	Base
6	MNLS-06IV20	Top Entry	M20	MHV-06L20	CNEM-06T	CNEF-06T	CHI-06L
	MNLS-06IV25		M25	MHV-06L25			
	MNLS-06IVA32		M32	MAV-06L32			
	MNLS-06IO20	Side Entry	M20	MHO-06L20			
	MNLS-06IO25		M25	MHO-06L25			
	MNLS-06IOA32		M32	MAO-06L32			
Squich (Tool-less Spring) Inserts, Single Lever							
6	MQLS-06IV20	Top Entry	M20	MHV-06L20	CSHM-06	CSHF-06	CHI-06L
	MQLS-06IV25		M25	MHV-06L25			
	MQLS-06IVA32		M32	MAV-06L32			
	MQLS-06IO20	Side Entry	M20	MHO-06L20			
	MQLS-06IO25		M25	MHO-06L25			
	MQLS-06IOA32		M32	MAO-06L32			

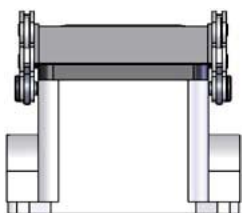
Each kit includes the base housing, male insert, female insert and hood. Hoods shown have metric entry (M20, M25, M32). PG & NPT threads also available. Cable gland sold separately.

Specifications:

Connections: Screw Terminal
AWG: 20 - 12 AWG

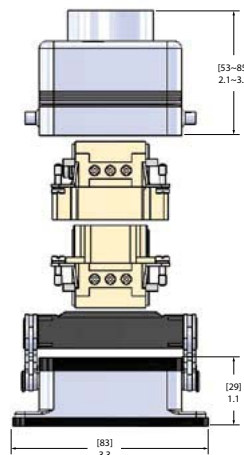
Connections: Screw Terminal
AWG: 26 - 14 AWG

Other Approvals: NEMA 4/4X/12

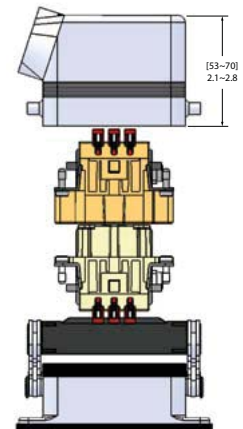


Surface Mount Base

For surface mount base replace 'I' with 'P'.
(e.g. MNLS-06IV20 becomes MNLS-06PV20)



Top Entry
Screw Terminal Inserts



Side Entry
Squich Inserts



Rectangular Connector Kits

10 Pole Kits, Metal Housing



Size 57.27 | 10 Pole | 600V, 16A | Metal Housing | Single Lever | IP66 Rating

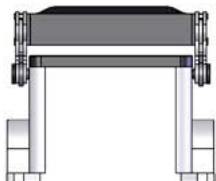


Screw Terminal Inserts, Single Lever							
# of Poles	Kit Part #	Entry Type	Entry Threads	Hood	Male Insert	Female Insert	Base
10	MNLS-10IV20	Top Entry	M20	MHV-10L20	CNEM-10T	CNEF-10T	CHI-10L
	MNLS-10IV25		M25	MHV-10L25			
	MNLS-10IVA32		M32	MAV-10L32			
	MNLS-10IO20	Side Entry	M20	MHO-10L20			
	MNLS-10IO25		M25	MHO-10L25			
	MNLS-10IOA32		M32	MAO-10L32			
Squich (Tool-less Spring) Inserts, Single Lever							
10	MQLS-10IV20	Top Entry	M20	MHV-10L20	CSHM-10	CSHF-10	CHI-10L
	MQLS-10IV25		M25	MHV-10L25			
	MQLS-10IVA32		M32	MAV-10L32			
	MQLS-10IO20	Side Entry	M20	MHO-10L20			
	MQLS-10IO25		M25	MHO-10L25			
	MQLS-10IOA32		M32	MAO-10L32			

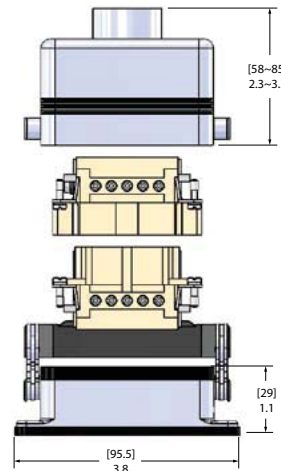
Each kit includes the base housing, male insert, female insert and hood. Hoods shown have metric entry (M20, M25, M32). PG & NPT threads also available. Cable gland sold separately.

Specifications:

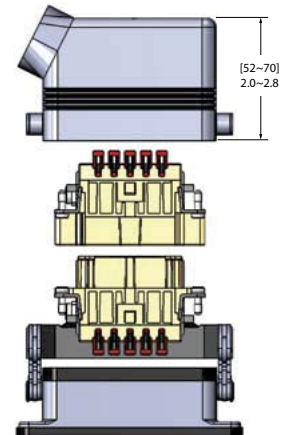
- Connections: Screw Terminal
- AWG: 20 - 12 AWG
- Connections: Squich (Tool-less Spring)
- AWG: 26 - 14 AWG
- Other Approvals: NEMA 4/4X/12



Surface Mount Base
 For surface mount base replace 'I' with 'P'.
 (e.g. MNLS-10IV20 becomes MNLS-10PV20)



**Top Entry
Screw Terminal Inserts**



**Side Entry
Squich Inserts**



Rectangular Connector Kits

10 Pole Kits, Metal Housing



Size 57.27 | 10 Pole | 600V, 16A | Metal Housing | Double Lever | IP66 Rating



Screw Terminal Inserts, Double Lever							
# of Poles	Kit Part #	Entry Type	Entry Threads	Hood	Male Insert	Female Insert	Base
10	MNDS-10IV20	Top Entry	M20	MHV-10.20	CNEM-10T	CNEF-10T	CHI-10
	MNDS-10IV25		M25	MHV-10.25			
	MNDS-10IVA32		M32	MAV-10.32			
	MNDS-10IO20	Side Entry	M20	MHO-10.20			
	MNDS-10IO25		M25	MHO-10.25			
	MNDS-10IOA32		M32	MAO-10.32			
Squich (Tool-less Spring) Inserts, Double Lever							
10	MQDS-10IO20	Top Entry	M20	MHV-10.20	CSHM-10	CSHF-10	CHI-10
	MQDS-10IO25		M25	MHV-10.25			
	MQDS-10IOA32		M32	MAV-10.32			
	MQDS-10IV20	Side Entry	M20	MHO-10.20			
	MQDS-10IV25		M25	MHO-10.25			
	MQDS-10IVA32		M32	MAO-10.32			

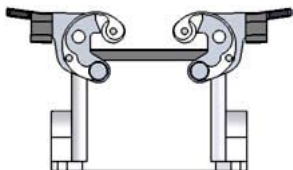
Each kit includes the base housing, male insert, female insert and hood. Hoods shown have metric entry (M20, M25, M32). PG & NPT threads also available. Cable gland sold separately.

Specifications:

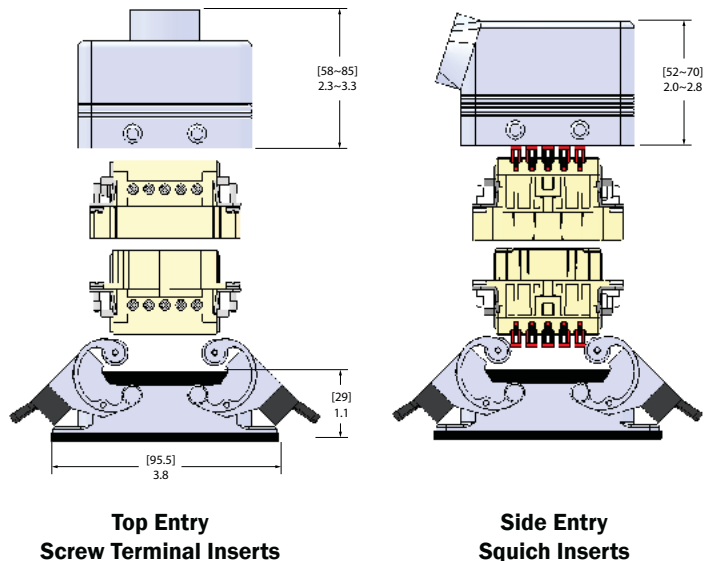
Connections: Screw Terminal
 AWG: 20 - 12 AWG

Connections: Squich (Tool-less Spring)
 AWG: 26 - 14 AWG

Other Approvals: NEMA 4/4X/12



Surface Mount Base
 For surface mount base replace 'I' with 'P'.
 (e.g. MNDS-10IV20 becomes MNDS-10PV20)





Rectangular Connector Kits

16 Pole Kits, Metal Housing



Size 77.27 | 16 Pole | 600V, 16A | Metal Housing | Single Lever | IP66 Rating

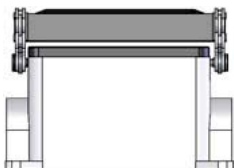


Screw Terminal Inserts, Single Lever							
# of Poles	Kit Part #	Entry Type	Entry Threads	Hood	Male Insert	Female Insert	Base
16	MNLS-16IV25	Top Entry	M25	MHV-16L25	CNEM-16T	CNEF-16T	CHI-16L
	MNLS-16IV32		M32	MHV-16L32			
	MNLS-16IVA40		M40	MAV-16L40			
	MNLS-16IO25	Side Entry	M25	MHO-16L25			
	MNLS-16IO32		M32	MHO-16L32			
	MNLS-16IOA40		M40	MAO-16L40			
Squich (Tool-less Spring) Inserts, Single Lever							
16	MQLS-16IV25	Top Entry	M25	MHV-16L25	CSHM-16	CSHF-16	CHI-16L
	MQLS-16IV32		M32	MHV-16L32			
	MQLS-16IVA40		M40	MAV-16L40			
	MQLS-16IO25	Side Entry	M25	MHO-16L25			
	MQLS-16IO32		M32	MHO-16L32			
	MQLS-16IOA40		M40	MAO-16L40			

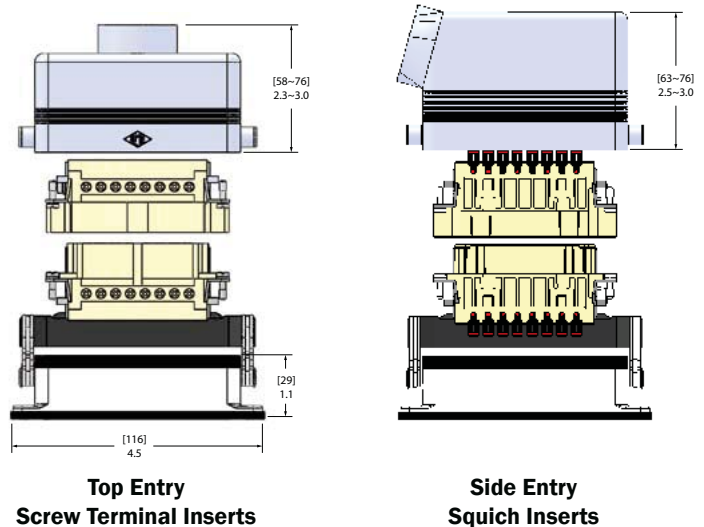
Each kit includes the base housing, male insert, female insert and hood. Hoods shown have metric entry (M25, M32, M40). PG & NPT threads also available. Cable gland sold separately.

Specifications:

- Connections: Screw Terminal
- AWG: 20 - 12 AWG
- Connections: Squich (Tool-less Spring)
- AWG: 26 - 14 AWG
- Other Approvals: NEMA 4/4X/12



Surface Mount Base
 For surface mount base replace 'I' with 'P'.
 (e.g. MNLS-16IV25 becomes MNLS-16PV25)





Rectangular Connector Kits

16 Pole Kits, Metal Housing



Size 77.27 | 16 Pole | 600V, 16A | Metal Housing | Double Lever | IP66 Rating

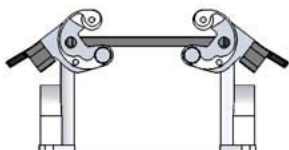


Screw Terminal Inserts, Double Lever							
# of Poles	Kit Part #	Entry Type	Entry Threads	Hood	Male Insert	Female Insert	Base
16	MNDS-16IV25	Top Entry	M25	MHV-16.25	CNEM-16T	CNEF-16T	CHI-16
	MNDS-16IV32		M32	MHV-16.32			
	MNDS-16IVA40		M40	MAV-16.40			
	MNDS-16IO25	Side Entry	M25	MHO-16.25			
	MNDS-16IO32		M32	MHO-16.32			
	MNDS-16IOA40		M40	MAO-16.40			
Squich (Tool-less Spring) Inserts, Double Lever							
16	MQDS-16IV25	Top Entry	M25	MHV-16.25	CSHM-16	CSHF-16	CHI-16
	MQDS-16IV32		M32	MHV-16.32			
	MQDS-16IVA40		M40	MAV-16.40			
	MQDS-16IO25	Side Entry	M25	MHO-16.25			
	MQDS-16IO32		M32	MHO-16.32			
	MQDS-16IOA40		M40	MAO-16.40			

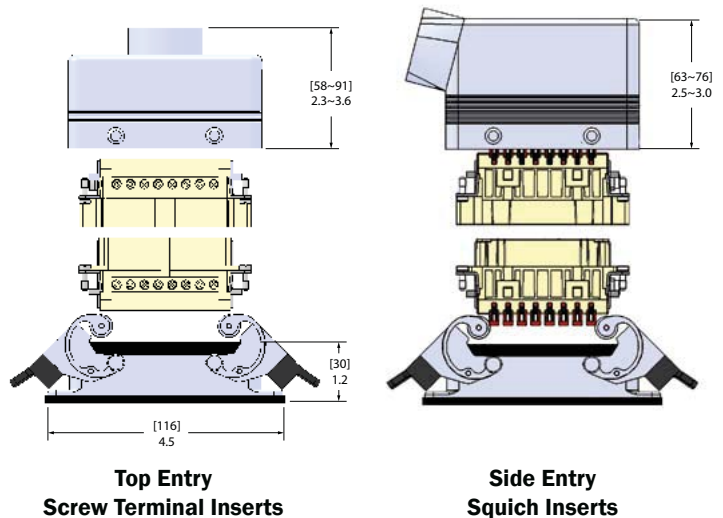
Each kit includes the base housing, male insert, female insert and hood. Hoods shown have metric entry (M25, M32, M40). PG & NPT threads also available. Cable gland sold separately.

Specifications:

- Connections: Screw Terminal
- AWG: 20 - 12 AWG
- Connections: Squich (Tool-less Spring)
- AWG: 26 - 14 AWG
- Other Approvals: NEMA 4/4X/12



Surface Mount Base
For surface mount base replace 'I' with 'P'.
(e.g. MNDS-16IV25 becomes MNDS-16PV25)





Rectangular Connector Kits

24 Pole Kits, Metal Housing



Size 104.27 | 24 Pole | 600V, 16A | Metal Housing | Single Lever | IP66 Rating



Screw Terminal Inserts, Single Lever							
# of Poles	Kit Part #	Entry Type	Entry Threads	Hood	Male Insert	Female Insert	Base
24	MNLS-24IV25	Top Entry	M25	MHV-24L25	CNEM-24T	CNEF-24T	CHI-24L
	MNLS-24IV32		M32	MHV-24L32			
	MNLS-24IVA40		M40	MAV-24L40			
	MNLS-24IO25	Side Entry	M25	MHO-24L25			
	MNLS-24IO32		M32	MHO-24L32			
	MNLS-24IOA40		M40	MAO-24L40			
Squich (Tool-less Spring) Inserts, Single Lever							
24	MQLS-24IV25	Top Entry	M25	MHV-24L25	CSHM-24	CSHF-24	CHI-24L
	MQLS-24IV32		M32	MHV-24L32			
	MQLS-24IVA40		M40	MAV-24L40			
	MQLS-24IO25	Side Entry	M25	MHO-24L25			
	MQLS-24IO32		M32	MHO-24L32			
	MQLS-24IOA40		M40	MAO-24L40			

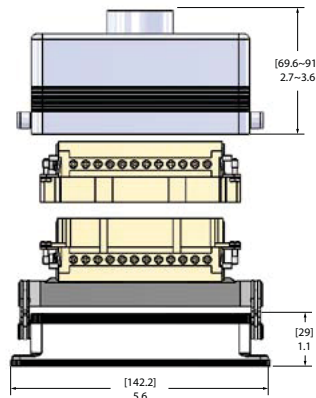
Each kit includes the base housing, male insert, female insert and hood. Hoods shown have metric entry (M25, M32, M40). PG & NPT threads also available. Cable gland sold separately.

Specifications:

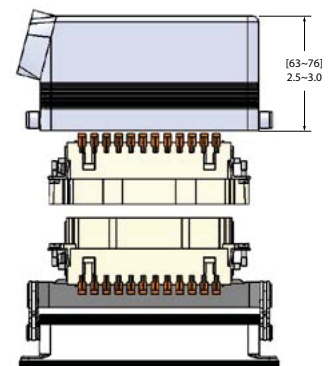
- Connections: Screw Terminal
- AWG: 20 - 12 AWG
- Connections: Squich (Tool-less Spring)
- AWG: 26 - 14 AWG
- Other Approvals: NEMA 4/4X/12



Surface Mount Base
 For surface mount base replace 'I' with 'P'.
 (e.g. MNLS-24IV25 becomes MNLS-24PV25)



**Top Entry
Screw Terminal Inserts**



**Side Entry
Squich Inserts**



Rectangular Connector Kits

24 Pole Kits, Metal Housing



Size 104.27 | 24 Pole | 600V, 16A | Metal Housing | Double Lever | IP66 Rating

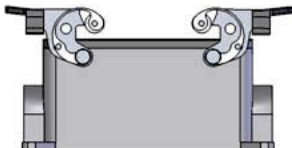


Screw Terminal Inserts, Double Lever							
# of Poles	Kit Part #	Entry Type	Entry Threads	Hood	Male Insert	Female Insert	Base
24	MNDS-24IV25	Top Entry	M25	MHV-24.25	CNEM-24T	CNEF-24T	CHI-24
	MNDS-24IV32		M32	MHV-24.32			
	MNDS-24IVA40		M40	MAV-24.40			
	MNDS-24IO25	Side Entry	M25	MHO-24.25			
	MNDS-24IO32		M32	MHO-24.32			
	MNDS-24IOA40		M40	MAO-24.40			
Squich (Tool-less Spring) Inserts, Double Lever							
24	MQDS-24IV25	Top Entry	M25	MHV-24.25	CSHM-24	CSHF-24	CHI-24
	MQDS-24IV32		M32	MHV-24.32			
	MQDS-24IVA40		M40	MAV-24.40			
	MQDS-24IO25	Side Entry	M25	MHO-24.25			
	MQDS-24IO32		M32	MHO-24.32			
	MQDS-24IOA40		M40	MAO-24.40			

Each kit includes the base housing, male insert, female insert and hood. Hoods shown have metric entry (M25, M32, M40). PG & NPT threads also available. Cable gland sold separately.

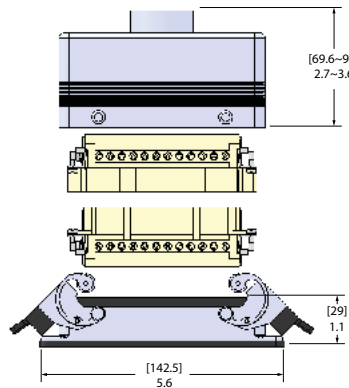
Specifications:

- Connections: Screw Terminal
- AWG: 20 - 12 AWG
- Connections: Squich (Tool-less Spring)
- AWG: 26 - 14 AWG
- Other Approvals: NEMA 4/4X/12

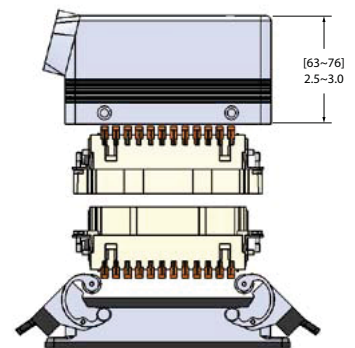


Surface Mount Base

For surface mount base replace 'I' with 'P'.
(e.g. MNDS-24IV25 becomes MNDS-24PV25)



**Top Entry
Screw Terminal Inserts**



**Side Entry
Squich Inserts**



Rectangular Connector Kits

3 & 4 Pole Kits, Thermoplastic Housing

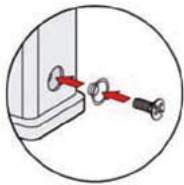


Size 21.21 | 3 & 4 Pole | 600V, 10A | Thermoplastic Housing | Single Lever | IP66/67 Rating



Screw Terminal Inserts, Single Lever							
# of Poles	Kit Part #	Entry Type	Entry Threads	Hood	Male Insert	Female Insert	Base
3 +	KMNLT-03IV20	Top Entry	M20	MK-V20	CKM-03	CKF-03	CK-03I
	KMNLT-03IO20	Side Entry	M20	MK-VA20	CKM-03	CKF-03	CK-03I
4 +	KMNLT-04IV20	Top Entry	M20	MK-V20	CKM-04	CKF-04	CK-03I
	KMNLT-04IO20	Side Entry	M20	MK-VA20	CKM-04	CKF-04	CK-03I
Squich (Tool-less Spring) Inserts, Single Lever							
3 +	KMQLT-03IV20	Top Entry	M20	MK-V20	CKSHM-03	CKSHF-03	CK-03I
	KMQLT-03IO20	Side Entry	M20	MK-VA20	CKSHM-03	CKSHF-03	CK-03I
4 +	KMQLT-04IV20	Top Entry	M20	MK-V20	CKSHM-04	CKSHF-04	CK-03I
	KMQLT-04IO20	Side Entry	M20	MK-VA20	CKSHM-04	CKSHF-04	CK-03I

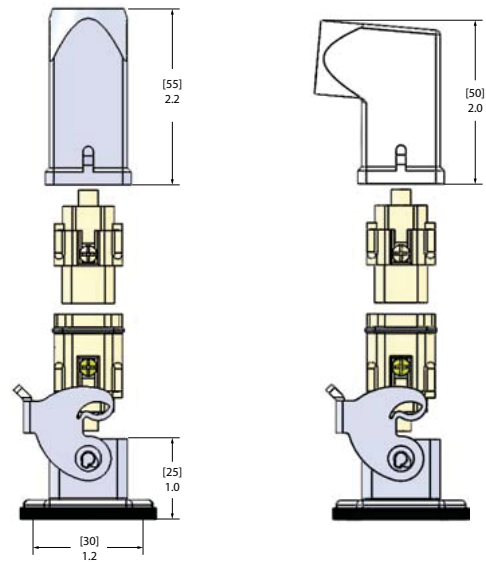
Each kit includes the base housing, male insert, female insert and hood. Hoods shown have M20 metric entry. PG & NPT threads also available. Cable gland sold separately. The 3 and 4 pole kits also include an optional washer kit as described below.



To obtain the protection rating IP66/IP67 a kit is provided that includes a screw and washer. The fixing screws supplied with the inserts must be removed and discarded and the new screw and washer must be installed (see illustration).

Specifications:

- AWG: 26 - 14 AWG
- Other Approvals: NEMA 4/4X/12
- IP rating: IP 66/67 (IP 44 without optional washer)



Top Entry

Side Entry



Rectangular Connector Kits

6 Pole Kits, Thermoplastic Housing



Size 44.27 | 6 Pole | 600V, 16A | Thermoplastic Housing | Single Lever | IP65 Rating



Screw Terminal Inserts, Single Lever							
# of Poles	Kit Part #	Entry Type	Entry Threads	Hood	Male Insert	Female Insert	Base
6	MNLT-06IVA25	Top Entry	M25	TMAV-06L25	CNEM-06T	CNEF-06T	TCHI-06L
	MNLT-06IVA32		M32	TMAV-06L32			
	MNLT-06IOA25	Side Entry	M25	TMAO-06L25			
	MNLT-06IOA32		M32	TMAO-06L32			
Squich (Tool-less Spring) Inserts, Single Lever							
6	MQLT-06IVA25	Top Entry	M25	TMAV-06L25	CSHM-06	CSHF-06	TCHI-06L
	MQLT-06IVA32		M32	TMAV-06L32			
	MQLT-06IOA25	Side Entry	M25	TMAO-06L25			
	MQLT-06IOA32		M32	TMAO-06L32			

Each kit includes the base housing, male insert, female insert and hood. Hoods shown have metric entry (M25, M32).

Specifications:

Connections: Screw Terminal
AWG: 20 - 12 AWG

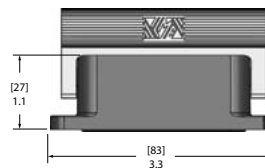
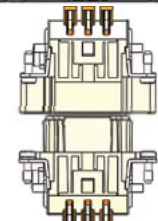
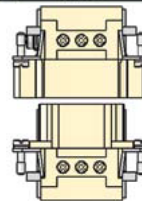
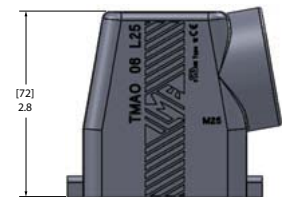
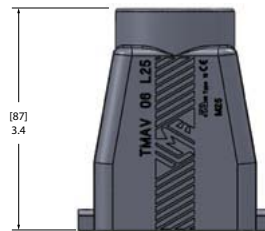
Connections: Squich (Tool-less Spring)
AWG: 26 - 14 AWG

Other Approvals: NEMA 4/4X/12



Surface Mount Base

For surface mount base replace 'I' with 'P'.
(e.g. MNLT-06IVA25 becomes MNLT-06PVA25)



Top Entry
Screw Terminal Inserts

Side Entry
Squich Inserts



Rectangular Connector Kits

10 Pole Kits, Thermoplastic Housing



Size 57.27 | 10 Pole | 600V, 16A | Thermoplastic Housing | Double Lever | IP65 Rating



Screw Terminal Inserts, Double Lever							
# of Poles	Kit Part #	Entry Type	Entry Threads	Hood	Male Insert	Female Insert	Base
10	MNDT-10IVA25	Top Entry	M25	TMAV-10.25	CNEM-10T	CNEF-10T	TCHI-10
	MNDT-10IVA32		M32	TMAV-10.32			
	MNDT-10IOA25	Side Entry	M25	TMAO-10.25			
	MNDT-10IOA32		M32	TMAO-10.32			
Squich (Tool-less Spring) Inserts, Double Lever							
10	MQDT-10IVA25	Top Entry	M25	TMAV-10.25	CSHM-10	CSHF-10	TCHI-10
	MQDT-10IVA32		M32	TMAV-10.32			
	MQDT-10IOA25	Side Entry	M25	TMAO-10.25			
	MQDT-10IOA32		M32	TMAO-10.32			

Each kit includes the base housing, male insert, female insert and hood. Hoods shown have metric entry (M25, M32).

Specifications:

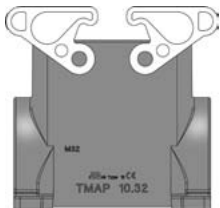
Connections: Screw Terminal

AWG: 20 - 12 AWG

Connections: Squich (Tool-less Spring)

AWG: 26 - 14 AWG

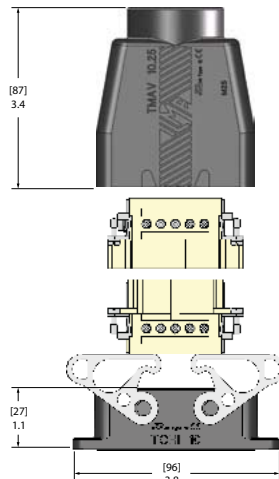
Other Approvals: NEMA 4/4X/12



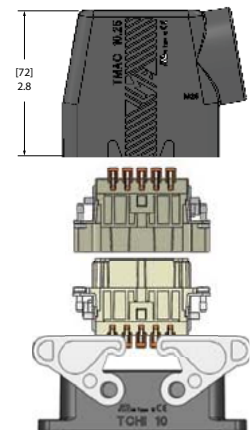
Surface Mount Base

For surface mount base replace 'I' with 'P'.

(e.g. MNDT-10IVA25 becomes MNDT-10PVA25)



**Top Entry
Screw Terminal Inserts**



**Side Entry
Squich Inserts**



Rectangular Connector Kits

16 Pole Kits, Thermoplastic Housing



Size 77.27 | 16 Pole | 600V, 16A | Thermoplastic Housing | Double Lever | IP65 Rating



Screw Terminal Inserts, Double Lever							
# of Poles	Kit Part #	Entry Type	Entry Threads	Hood	Male Insert	Female Insert	Base
16	MNDT-16IVA32	Top Entry	M32	TMAV-16.32	CNEM-16T	CNEF-16T	TCHI-16
	MNDT-16IVA40		M40	TMAV-16.40			
	MNDT-16IOA32	Side Entry	M32	TMAO-16.32			
	MNDT-16IOA40		M40	TMAO-16.40			
Squich (Tool-less Spring) Inserts, Double Lever							
16	MQDT-16IVA32	Top Entry	M32	TMAV-16.32	CSHM-16	CSHF-16	TCHI-16
	MQDT-16IVA40		M40	TMAV-16.40			
	MQDT-16IOA32	Side Entry	M32	TMAO-16.32			
	MQDT-16IOA40		M40	TMAO-16.40			

Each kit includes the base housing, male insert, female insert and hood. Hoods shown have metric entry (M25, M32, M40).

Specifications:

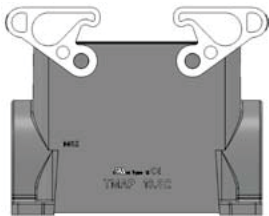
Connections: Screw Terminal

AWG: 20 - 12 AWG

Connections: Squich (Tool-less Spring)

AWG: 26 - 14 AWG

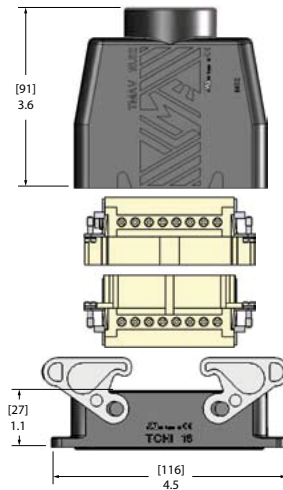
Other Approvals: NEMA 4/4X/12



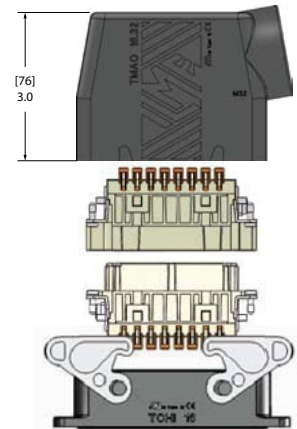
Surface Mount Base

For surface mount base replace 'I' with 'P'.

(e.g. MNDT-16IVA32 becomes MNDT-16PVA32)



Top Entry
Screw Terminal Inserts



Side Entry
Squich Inserts



Rectangular Connector Kits

24 Pole Kits, Thermoplastic Housing



Size 104.27 | 24 Pole | 600V, 16A | Thermoplastic Housing | Single Lever | IP65 Rating



Screw Terminal Inserts, Double Lever							
# of Poles	Kit Part #	Entry Type	Entry Threads	Hood	Male Insert	Female Insert	Base
24	MNDT-24IVA32	Top Entry	M32	TMAV-24.32	CNEM-24T	CNEF-24T	TCHI-24
	MNDT-24IVA40		M40	TMAV-24.40			
	MNDT-24IOA32	Side Entry	M32	TMAO-24.32			
	MNDT-24IOA40		M40	TMAO-24.40			
Squich (Tool-less Spring) Inserts, Double Lever							
24	MQDT-24IVA32	Top Entry	M32	TMAV-24.32	CSHM-24	CSHF-24	TCHI-24
	MQDT-24IVA40		M40	TMAV-24.40			
	MQDT-24IOA32	Side Entry	M32	TMAO-24.32			
	MQDT-24IOA40		M40	TMAO-24.40			

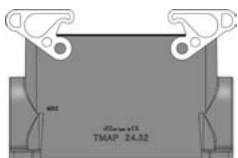
Each kit includes the base housing, male insert, female insert and hood. Hoods shown have metric entry (M32, M40).

Specifications:

Connections: Screw Terminal
AWG: 20 - 12 AWG

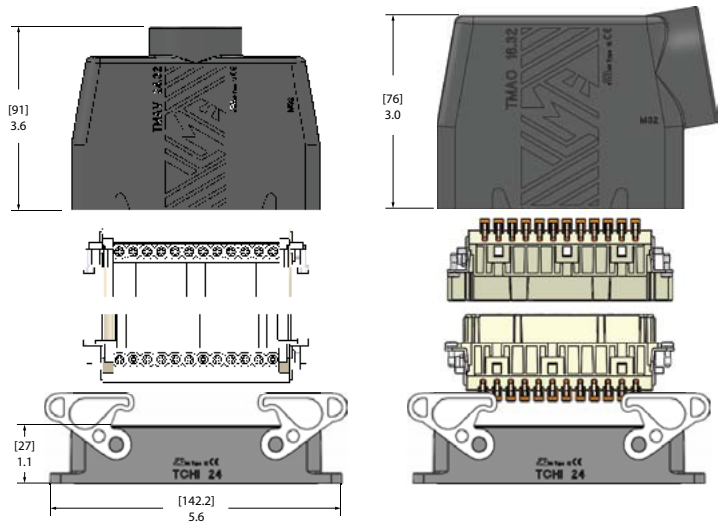
Connections: Squich (Tool-less Spring)
AWG: 26 - 14 AWG

Other Approvals: NEMA 4/4X/12



Surface Mount Base

For surface mount base replace 'I' with 'P'.
(e.g. MNDT-25IVA32 becomes MNDT-25PVA32)



Top Entry
Screw Terminal Inserts

Side Entry
Squich Inserts



Pre-Wired Rectangular Receptacles

Pre-Wired Rectangular Receptacles Part Number Matrix



Not all options available with all components - Please consult factory

IR - - -

Housing Type

- C = Standard Metal Base (CHI)
- Z = II-BRID Base (CZI)
- P = Surface Mount Base (CHP)
- K = Size 21.21 Thermoplastic Base (CK)
- T = T-Type Thermoplastic Base (TCHI)

Lengths in Meter

- 003 = 0.3m
- 006 = 0.6m
- 010 = 1m
- 020 = 2m

Lever Type

- L = Single Lever
- D = Double Lever
- C = Center Lever
- S = Single Lever with Cover

Cable Color

- 0 = Black
- 1 = Brown
- 2 = Red
- 3 = Orange
- 4 = Yellow
- 5 = Green
- 6 = Blue
- 7 = Violet
- 8 = Gray
- 9 = White

Number of Conductors

- 6
- 10
- 16
- 24

More pole configurations are available, please consult the factory.

Wire AWG

- 14 = 14 AWG
- 16 = 16 AWG
- 18 = 18 AWG

Termination Type

- N = Standard Squich/Screw Terminal
- D = Crimp
- H = High-Density Crimp
- J = JEI Squich/Screw Terminal

Connector Configuration

- M = Male Receptacle
- F = Female Receptacle



Pre-Wired Rectangular Receptacles

6 & 10 Conductor Pre-Wired Rectangular Receptacles



6 & 10 Pole | 600V, 16A | Metal Housing | IP66 Rating

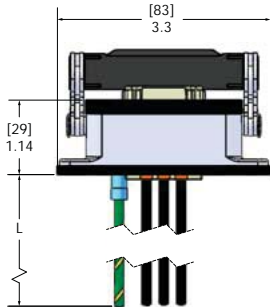


# of Poles	Lever Type	Rating	Wire AWG	Male Receptacle	Female Receptacle
6 +	Single Lever	600V 16A	14	IRCL-06NM-140-**	IRCL-06NF-140-**
			16	IRCL-06NM-160-**	IRCL-06NF-160-**
10 +	Single Lever	600V 16A	14	IRCL-10NM-140-**	IRCL-10NF-140-**
			16	IRCL-10NM-160-**	IRCL-10NF-160-**
	Double Lever	600V 16A	14	IRCD-10NM-140-**	IRCD-10NF-140-**
			16	IRCD-10NM-160-**	IRCD-10NF-160-**

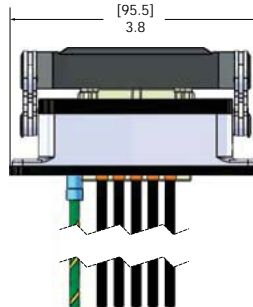
** Length in meters. Longer lead length are available, consult the factory for part numbers.

All black wires are numbered with the corresponding contact number.

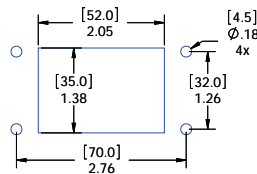
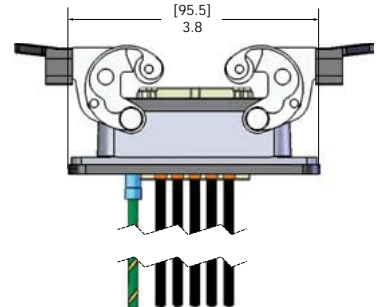
6 Pole Single Lever



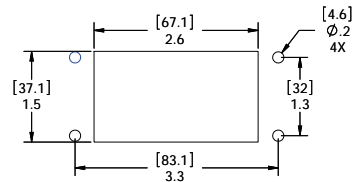
10 Pole Single Lever



10 Pole Double Lever



6 Pole Cutout



10 Pole Cutout

Specifications:

- Base : Epoxy Coated Die-Cast Aluminum
- Lever: Stainless Steel & Nylon
- Gasket: Thermoplastic
- Insert: PolyCarbonate
- Contacts: Silver Plated Copper Alloy
- Wires: Black 14/16 AWG (2.5 sqmm) UL Style 1015 MTW



Pre-Wired Rectangular Receptacles

16 & 24 Conductor Pre-Wired Rectangular Receptacles



16 & 24 Pole | 600V, 16A | Metal Housing | IP66 Rating



# of Poles	Lever Type	Rating	Wire AWG	Male Receptacle	Female Receptacle
16 + ⊕	Single Lever	600V 16A	14	IRCL-16NM-140-**	IRCL-16NF-140-**
			16	IRCL-16NM-160-**	IRCL-16NF-160-**
	Double Lever	600V 16A	14	IRCD-16NM-140-**	IRCD-16NF-140-**
			16	IRCD-16NM-160-**	IRCD-16NF-160-**
24 + ⊕	Single Lever	600V 16A	14	IRCL-24NM-140-**	IRCL-24NF-140-**
			16	IRCL-24NM-160-**	IRCL-24NF-160-**
	Double Lever	600V 16A	14	IRCD-24NM-140-**	IRCD-24NF-140-**
			16	IRCD-24NM-160-**	IRCD-24NF-160-**

** Length in meters. Longer lead length are available, consult the factory for part numbers.

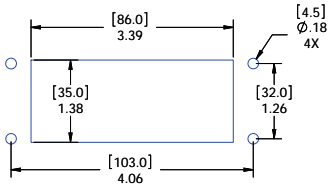
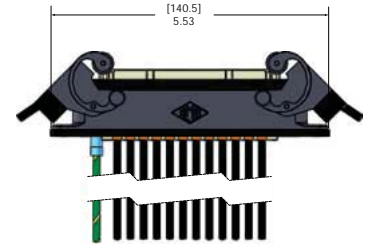
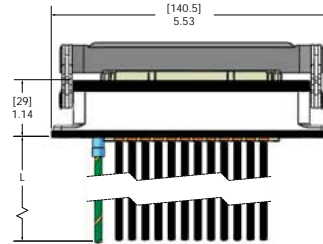
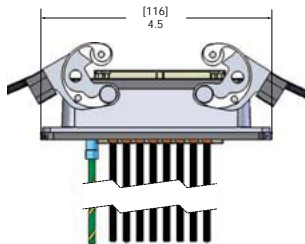
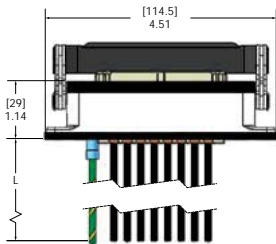
All black wires are numbered with the corresponding contact number.

16 Pole Single Lever

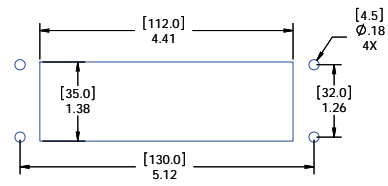
16 Pole Double Lever

24 Pole Single Lever

24 Pole Double Lever



16 Pole Cutout



24 Pole Cutout

Specifications:

- Base : Epoxy Coated Die-Cast Aluminum
- Lever: Stainless Steel & Nylon
- Gasket: Thermoplastic
- Insert: PolyCarbonate
- Contacts: Silver Plated Copper Alloy
- Wires: Black 14/16 AWG (2.5 sqmm) UL Style 1015 MTW



Cable Glands

Metric Threads Cable Glands



Standard Brass Cable Glands | Metric Threads | IP68/IP69K Rating



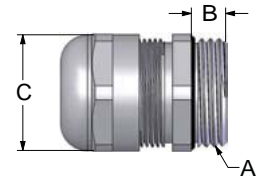
Part Number	UL Rating	IP Rating	Diameter Range (mm)	A Mounting Hole Clearance (mm)	B Thread Length (mm)	C Wrench Flats (mm)	Thread Type
MCG-M06***	N/A	IP68	2 - 3.2	6.2	6	8	M6 x 1.0
MCG-M08***	N/A	IP68	3 - 5	8.2	4	11	M8 x 1.25
MCG-M12	UL Recognized	IP69K	3 - 6	12.2	5	14	M12 x 1.5
MCG-M16	UL Recognized	IP69K	3 - 9	16.2	5	17	M16 x 1.5
MCG-M20	UL Recognized	IP69K	5 - 13	20.2	6	22	M20 x 1.5
MCG-M25	UL Recognized	IP69K	8 - 16	25.2	7	27	M25 x 1.5
MCG-M32	UL Recognized	IP68	12 - 21	32.2	8	34	M32 x 1.5
MCG-M40	UL Recognized	IP68	16 - 27	40.2	8	43	M40 x 1.5
MCG-M50	UL Recognized	IP69K	21 - 35	50.2	9	55	M50 x 1.5
MCG-M63	UL Recognized	IP69K	27-48	63.2	10	65	M63 x 1.5

*** MCG-M06 & MCG-M08 are not supplied with jam nuts. Nuts are not available for these cable glands.

M12 through M32 are also available in Stainless steel. Add "SS" to the part number (e.g. MCG-M12-SS). Stainless steel glands do not come with jam nuts.

Mencom Cable Glands are easy to use and provide a good strain relief and water tight seal for round cables. The cable glands are rated up to IP 68 (comparable to NEMA 6P). The glands have a wide clamping range.

A Locking Nut and an O-Ring are supplied on all Metric threaded Metal Cable Glands, except where noted.



Materials:

Body: Nickel Plated Brass

Insert: Polyamide

Seal: Neoprene

O-Ring: BUNA-N



Cable Glands

Metric Threads Cable Glands



Standard Plastic Cable Glands | Metric Threads | IP68 Rating



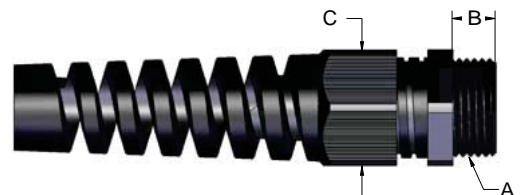
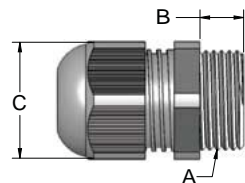
Part Number		UL Rating	Diameter Range (mm)	A Mounting Hole Clearance (mm)	B Thread Length (mm)	C Wrench Flats (mm)	Thread Type
Gray	Black						
PCG-M12R	PCG-M12R-B	N/A	2 - 5	12.2	8	15	M12 x 1.5
PCG-M12	PCG-M12-B	UL Recognized	3 - 6.5	12.2	8	15	M12 x 1.5
PCG-M16R	PCG-M16R-B	N/A	3 - 7	16.2	8	22	M16 x 1.5
PCG-M16	PCG-M16-B	UL Recognized	5 - 10	16.2	8	22	M16 x 1.5
PCG-M20R	PCG-M20R-B	UL Recognized	5 - 9	20.2	8	24	M20 x 1.5
PCG-M20	PCG-M20-B	UL Listed	10 - 14	20.2	8	24	M20 x 1.5
PCG-M25R	PCG-M25R-B	N/A	9 - 16	25.2	8	33	M25 x 1.5
PCG-M25	PCG-M25-B	UL Recognized	13 - 18	25.2	8	33	M25 x 1.5
PCG-M32R	PCG-M32R-B	UL Listed	12 - 20	32.2	10	42	M32 x 1.5
PCG-M32	PCG-M32-B	UL Listed	18 - 25	32.2	10	42	M32 x 1.5
PCG-M40R	PCG-M40R-B	UL Listed	20 - 26	40.2	10	53	M40 x 1.5
PCG-M40	PCG-M40-B	UL Listed	22 - 32	40.2	10	53	M40 x 1.5
PCG-M50R	PCG-M50R-B	UL Listed	25 - 31	50.2	12	60	M50 x 1.5
PCG-M50	PCG-M50-B	UL Listed	30 - 38	50.2	12	60	M50 x 1.5
PCG-M63R	PCG-M63R-B	UL Listed	29 - 35	63.2	12	65	M63 x 1.5
PCG-M63	PCG-M63-B	UL Listed	34 - 44	63.2	12	65	M63 x 1.5

The Flex Style Version of UL recognized & UL listed parts are also UL recognized and UL listed.

For the flex style version, add "S" to the part number (e.g. PCG-M25-BS). Flex styles are not available on the PCG-M32 to PCG-M63 versions.

Mencom Cable Glands are easy to use and provide a good strain relief and water tight seal for round cables. The cable glands are rated up to IP 68-5 Bar (comparable to NEMA 6P). The glands have a wide clamping range.

A Locking Nut is supplied on all Metric threaded parts. O-Rings are not required to maintain a seal on any sizes smaller than M32. An O-Ring is supplied on size M32 and larger.



Materials:

Body: Polyamide
Seal: Neoprene



Cable Glands

Metric Threads Cable Glands



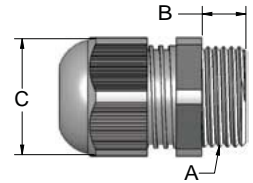
Dual Grommet Plastic Cable Glands | Metric Threads | IP68 Rating



Part Number		UL Rating	Diameter Range (mm)	A Mounting Hole Clearance (mm)	B Thread Length (mm)	C Wrench Flats (mm)	Thread Type
Gray	Black						
PCGU-M12	PCGU-M12-B	UL Recognized	2 - 5	12.2	8	15	M12 X 1.5
PCGU-M16	PCGU-M16-B	UL Recognized	3 - 10	16.2	8	20	M16 X 1.5
PCGU-M20	PCGU-M20-B	UL Recognized	5 - 13	20.2	8	24	M20 X 1.5
PCGU-M25	PCGU-M25-B	UL Recognized	8 - 17	25.2	8	29	M25 X 1.5
PCGU-M32	PCGU-M32-B	UL Recognized	12 - 21	32.2	10	36	M32 X 1.5
PCGU-M40	PCGU-M40-B	UL Recognized	16 - 28	40.2	10	46	M40 X 1.5
PCGU-M50	PCGU-M50-B	UL Recognized	21 - 35	50.2	12	55	M50 X 1.5
PCGU-M63	PCGU-M63-B	N/A	27 - 48	63.2	12	68	M63 X 1.5

These Cable Glands have a dual grommet system that allows for a much wider range in diameter than the standard plastic cable glands. Cables that are in the lower part of the diameter range will fit into the cable gland without any change. For cables that are in the upper part of the diameter range, the dome nut is removed and the seals are removed. Separate the inner seal from the outer seal into the cable gland and then put the outer seal back in place. It is now ready for use with the larger cable.

A Locking Nut is supplied on all Metric threaded parts. An O-Ring is not needed on any sizes smaller than M32. An O-Ring is supplied on size M32 and larger.



Materials:

Body: Polyamide

Seal: Neoprene



Cable Glands

Metric Threads Cable Glands



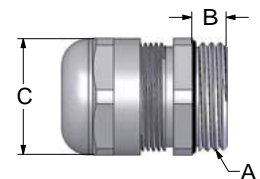
EMI Shielding Brass Cable Glands | Metric Threads | IP68/IP69K Rating



Part Number	UL Rating	IP Rating	Diameter Range (mm)	A Mounting Hole Clearance (mm)	B Thread Length (mm)	C Wrench Flats (mm)	Thread Type
MCGB-M12	UL Recognized	IP69K	3 - 6	12.2	5	14	M12 x 1.5
MCGB-M12L	UL Recognized	IP69K	3 - 6	12.2	10	14	M12 x 1.5
MCGB-M16	UL Recognized	IP69K	3 - 9	16.2	5	17	M16 x 1.5
MCGB-M16L	UL Recognized	IP69K	3 - 9	16.2	10	17	M16 x 1.5
MCGB-M20	UL Recognized	IP69K	5 - 13	20.2	6	22	M20 x 1.5
MCGB-M20L	UL Recognized	IP69K	5 - 13	20.2	10	22	M20 x 1.5
MCGB-M25	UL Recognized	IP69K	8 - 16	25.2	7	27	M25 x 1.5
MCGB-M25L	UL Recognized	IP69K	8 - 16	25.2	11	27	M25 x 1.5
MCGB-M32	UL Recognized	IP68	12 - 21	32.2	8	34	M32 x 1.5
MCGB-M32L	UL Recognized	IP68	12 - 21	32.2	13	34	M32 x 1.5
MCGB-M40	UL Recognized	IP68	16 - 27	40.2	8	43	M40 x 1.5
MCGB-M40L	UL Recognized	IP68	16 - 27	40.2	13	43	M40 x 1.5
MCGB-M50	UL Recognized	IP69K	21 - 35	50.2	9	55	M50 x 1.5
MCGB-M50L	UL Recognized	IP69K	21 - 35	50.2	14	55	M50 x 1.5
MCGB-M63	UL Recognized	IP69K	27 - 48	63.2	10	65	M63 x 1.5

Lock Nuts are supplied with all cable glands listed other than MCGB-M12, MCGB-M16 and MCGB-M20. These threads are too short to be used with Lock Nuts.

Mencom EMI Cable Glands provide an easy way to ground the shield from a shielded cable to the body of the metal cable gland. The seal rating is IP 68.



Materials:

Body: Nickel Plated Brass
 Insert: Polyamids
 O-Ring: Neoprene





Cable Glands

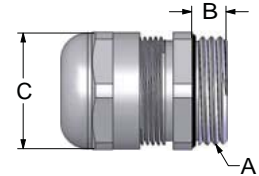
Metric Threads Cable Glands



Explosion-Proof Brass Cable Glands | Metric Threads | IP68 Rating

Part Number	Diameter Range (mm)	A Mounting Hole Clearance (mm)	B Thread Length (mm)	C Wrench Flats (mm)	Thread Type
MCSEX-M12	3 - 6.5	12.2	5	14	M12 x 1.5
MCSEX-M16	5 - 9	16.2	5	17	M16 x 1.5
MCSEX-M20	6 - 12	20.2	6	22	M20 x 1.5
MCSEX-M25	11 - 16	25.2	7	27	M25 x 1.5
MCSEX-M32	14 - 21	32.2	8	34	M32 x 1.5
MCSEX-M40	19 - 27	40.2	8	43	M40 x 1.5
MCSEX-M50	24 - 35	50.2	9	55	M50 x 1.5
MCSEX-M63	32 - 42	63.2	10	65	M63 x 1.5

These Explosion-Proof Cable Glands are made of Nickel Plated Brass and are for potentially explosive areas according to EN 50014 and EN 50019. The type of protection is EExd e II-increased safety. There is excellent strain relief, a wide clamping range, and a torsion protected plastic insert that is resistant to impact at cold temperatures. Also, the cable glands feature a neoprene sealing insert, the O-Ring seal is BUNA-N, and the permanent ambient temperature is -25°C to +80°C (-13° F to +176°F). Protection type is IP 68 according to EN 60529, E-Generation, certificate of conformity: DMT 99 ATEX E 016. Locking Nuts must be ordered separately.



ATEX 100a

With a view toward further harmonization of the legal provisions in the European Union in respect to the use of equipment and protection systems in accordance with the regulations in areas subject to explosion hazards, the European Parliament and Council passed Directive 94/9/EC on the 23rd of March, 1994. This directive is also known as ATEX 100A. The period for implementing this guideline started on the 1st of March, 1996 and from the 1st of July, 2003 onwards, it will replace and supplement all directives on explosion protection applicable to date at the European level. The single market requires national regulations to be replaced by European Standards (EN).

The ATEX 100A governs the requirements for all (both electrical and non-electrical) equipment and protection systems which are intended for use in areas subject to explosion hazards. Monitoring, control and safety equipment for use outside areas subject to explosion hazards also fall within the provisions of this directive if they are necessary in view of explosion hazards for the safe running of equipment and protection systems.

The explosion-proof cable glands listed in this catalog are produced in Germany and are for use in areas subject to explosion hazards. Such parts are also termed "cable glands and entry fittings" (abbreviated KLE) and "accessories."

EN 50014 defines cable glands and entry fittings as equipment which allows one or several electrical and/or fibre optic cables or wires to be inserted into electrical equipment while retaining the corresponding type of protection.

The explosion-proof KLE items contained in this catalog are suitable for inserting cables and wires into housing of protection type EEx e "increased safety," and EEx i "inherent safety" in Device Groups II and Categories 2 and 3.

For further information on ATEX and European explosion-proof classifications, please consult the factory.

These specifications are not intended to be correlated to or to be a substitution for U.S. Explosion-Proof ratings.



Cable Glands

Metric Threads Cable Glands



Explosion-Proof Plastic Cable Glands | Metric Threads | IP66 Rating

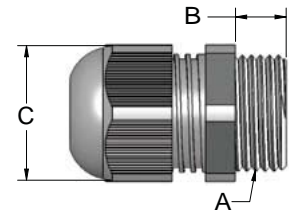
Part Number	Color	Diameter Range (mm)	A Mounting Hole Clearance (mm)	B Thread Length (mm)	C Wrench Flats (mm)	Thread Type
PCGEX-M12-B	Black	4 - 7	12.2	8	15	M12 x 1.5
PCGEX-M12L-B	Black	4 - 7	12.2	12	15	M12 x 1.5
PCGEX-M16-B	Black	5.5 - 10	16.2	8	20	M16 x 1.5
PCGEX-M16L-B	Black	5.5 - 10	16.2	12	20	M16 x 1.5
PCGEX-M20-B	Black	5.5 - 13	20.2	8	24	M20 x 1.5
PCGEX-M20L-B	Black	5.5 - 13	20.2	13	24	M20 x 1.5
PCGEX-M25-B	Black	8 - 17	25.2	8	29	M25 x 1.5
PCGEX-M25L-B	Black	8 - 17	25.2	13	29	M25 x 1.5
PCGEX-M32-B	Black	12 - 21	32.2	10	36	M32 x 1.5
PCGEX-M40-B	Black	17 - 28	40.2	10	46	M40 x 1.5
PCGEX-M50-B	Black	22 - 35	50.2	12	55	M50 x 1.5
PCGEX-M63-B	Black	27 - 48	63.2	12	68	M63 x 1.5

Intrinsically safe explosion proof versions are also available, please consult the factory.
 Protection type EExd e II is a standard European classification.
 These specifications are NOT intended to be correlated to or to be a substitution for U.S. Explosion-Proof ratings.

Type of protection EExd e II- increased safety. Permanent ambient temperature -50°C to +55°C (-58°F to +131°F). Protection type is IP 66 according to EN 60529. Certificate of conformity: PTB-No. Ex-92-C.3142; PTB-No. Ex-92.C3108X (M12 & M16).

Locking Nuts must be ordered separately.

Materials: ALCRYM





Cable Glands Accessories

Metric Threads Cable Gland Nuts



Nuts | Plastic | Metal | PG Threads

Metal Nuts					
Part Number		A (mm)	B (mm)	Thread Type	Style
Nickel Plated Brass	Stainless Steel				
2M12M	2M12M-SS	15	2.8	M12 x 1.5	<p>Materials: Nickel Plated Brass/ Stainless Steel</p>
2M16M	2M16M-SS	19	2.8	M16 x 1.5	
2M20M	2M20M-SS	24	3	M20 x 1.5	
2M25M	2M25M-SS	30	3.5	M25 x 1.5	
2M32M	2M32M-SS	36	4	M32 x 1.5	
2M40M	2M40M-SS	46	5	M40 x 1.5	
2M50M	2M50MPOT-SS	60	5	M50 x 1.5	
2M63M	2M63MPOT-SS	70	6	M63 x 1.5	

Plastic Nuts					
Part Number		A (mm)	B (mm)	Thread Type	Style
Gray	Black				
2M12PA	2M12PASW	17	5	M12 x 1.5	<p>Materials: Polyamide</p>
2M16PA	2M16PASW	22	5	M16 x 1.5	
2M20PA	2M20PASW	27	6	M20 x 1.5	
2M25PA	2M25PASW	32	6	M25 x 1.5	
2M32PA	2M32PASW	41	7	M32 x 1.5	
2M40PA	2M40PASW	50	7	M40 x 1.5	
2M50PA	2M50PASW	60	8	M50 x 1.5	
2M63PA	2M63PASW	75	8	M63 x 1.5	

Cutting Metal Nuts					
Part Number	A (mm)	B (mm)	Thread Type	Style	
2M12MPOT	15	2.8	M12 x 1.5	<p>Materials: Nickel Plated Brass</p>	
2M16MPOT	19	2.8	M16 x 1.5		
2M20MPOT	24	3	M20 x 1.5		
2M25MPOT	30	3.5	M25 x 1.5		
2M32MPOT	36	4	M32 x 1.5		
2M40MPOT	46	5	M40 x 1.5		
2M50MPOT	60	5	M50 x 1.5		
2M63MPOT	70	6	M63 x 1.5		



Rectangular Connector Kits

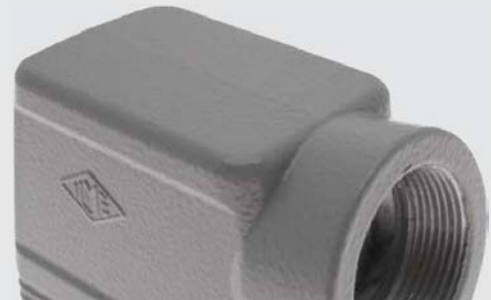
Designed to reduce labor time & costs associated with the installation

Mount Base | Male/Female Insert | Mating Hoods

This series of connectors was originally designed to handle electrical connections that are subject to harsh (heavy duty) environments. The usage of rectangular connectors has expanded to include applications where multiple lines need to be passed through the control cabinet. In creating a solution it is important to consider your power and signal transmission needs as well as the environmental conditions. The electrical ratings can range from signal level up to 200A for high power requirements. Environmental conditions that may affect the electrical connection chosen include chemicals and other corrosive materials as well as high humidity or wash down. Likewise the frequency of connect/disconnect and general usage may play a role in determining the right connector.

Components to make a complete connection

Enclosures (Hoods & Bases): Enclosures are the combination of the base housing and the hood. The principal parts are made of a die cast aluminium alloy with a coating of epoxy-polyester powdercoat. They are resistant to impacts and strong mechanical stress. The coupling stability and protection against accidental opening are assured by single or double-closing devices comprised of stainless steel levers, springs, and pegs. Sealing is assured by special gaskets that protect the contact groups inside the enclosure against dust & water. The first two features to look at when selecting your hood and base are housing size (10 pole, 16 pole, etc.) and the position of the cable entry on the hood (top, side). Once these requirements are determined, the lever system can be chosen along with the thread of the cable entry. Mencom offers PG, Metric and NPT thread options.



Inserts: The Insert is the part of the connector that has the contacts. Inserts feature one of two conductor connection techniques: Screw Terminal or Tool-less Spring (aka Squich). These inserts are made of UL certified self-extinguishing fiberglass reinforced thermoplastics and the operating temperature ranges between -40 °C and +125 °C. The contacts are in silver or gold plated brass and they are numbered on both sides for accurate installation.



Cable Glands: Mencom offers a wide variety of cable glands, from small (PG7) to very large (M63). Our line of cable glands includes plastic and metal varieties with NPT, Metric and PG threading. In general, a cable gland is a device that allows the user to pass a cable, wire or tube into an enclosure. The gland provides strain relief and seals out dust, dirt and liquids. Mencom carries a large inventory of cable glands and accessories and most are rated IP68 while others are rated IP68 to 5 bar (underwater up to 5 atmospheres). With so many varieties, cable glands are sold separately from our kits.



APPLICABLE INDUSTRIES

Wherever connections are required for power and signalling circuit



AUTOMATION



ROBOTICS



WIND ENERGY



FOOD & BEVERAGE



THIS CATALOG ALSO INCLUDES...

Pre-Wired Rectangular Receptacles



Cable Glands



Connect With Mencom Corp.



facebook.com/Mencom

twitter.com/mencomconnects

linkedin.com/company/mencom-corporation

youtube.com/MencomConnectors

electricalconnector.wordpress.com



5750 McEver Road Oakwood, GA 30566 | 1-770-534-4585 | www.mencom.com

Copyright © 2018 Mencom Corp. All Rights Reserved.