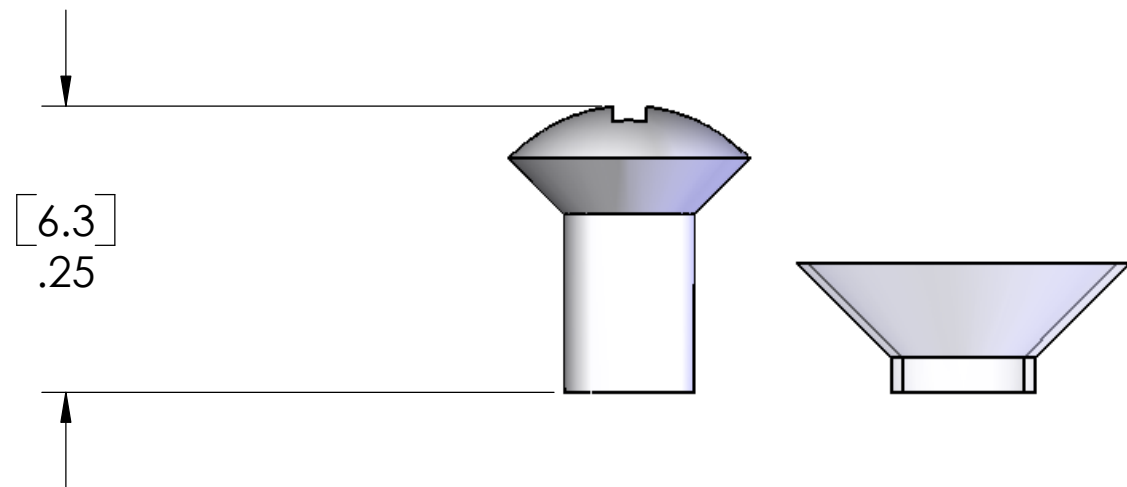
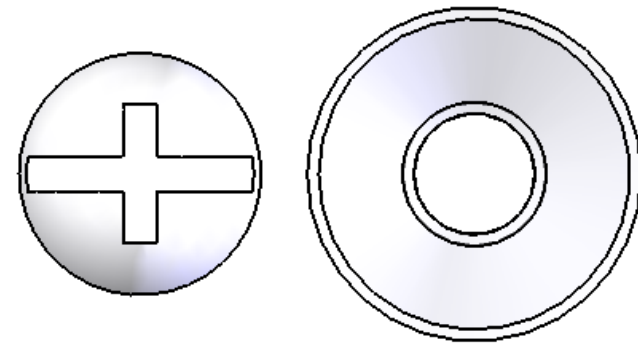


REVISIONS			
REV.	DESCRIPTION	DATE	APPROVED
A	REDRAWN IN SW	6/6/2005	



Note: The purpose of this part is to increase the seal of the CK series to IP65. When used, the existing screw and star washer that are supplied with the CK insert must be discarded.

This screw is slightly longer than the one supplied with the CK inserts.

If the CDF/M-07 or 08 inserts are being used, please use CKR-65D part instead of this one. CKR-65D has a slightly longer screw to ease assembly. CKR-65D may not be used on other inserts.

MATERIALS:	
SCREW:	STAINLESS STEEL
WASHER:	THERMOPLASTIC

PROPRIETARY AND CONFIDENTIAL
 THE INFORMATION CONTAINED IN THIS DRAWING IS THE SOLE PROPERTY OF MENCOM CORPORATION. ANY REPRODUCTION IN PART OR AS A WHOLE WITHOUT THE WRITTEN PERMISSION OF MENCOM CORPORATION IS PROHIBITED.

UNLESS OTHERWISE SPECIFIED:		NAME	MENCOM CORPORATION	
DIMENSIONS ARE IN INCHES AND [MM]		DRAWN	DWM	
		CHECKED	TITLE:	
		ENG APPR.		
		MFG APPR.		
		Q.A.		
		COMMENTS:		
MATERIAL		SIZE	DWG. NO.	REV
FINISH		B	CKR-65	A
DO NOT SCALE DRAWING		SCALE: 6:1	WEIGHT:	SHEET 1 OF 1