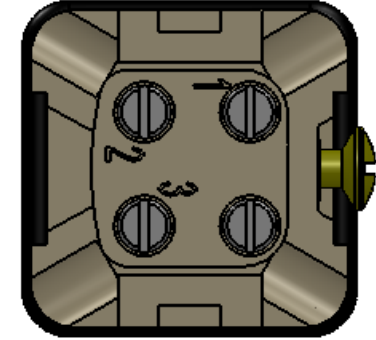
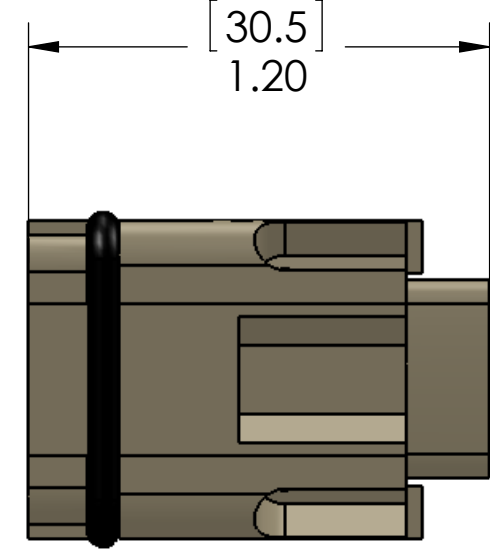
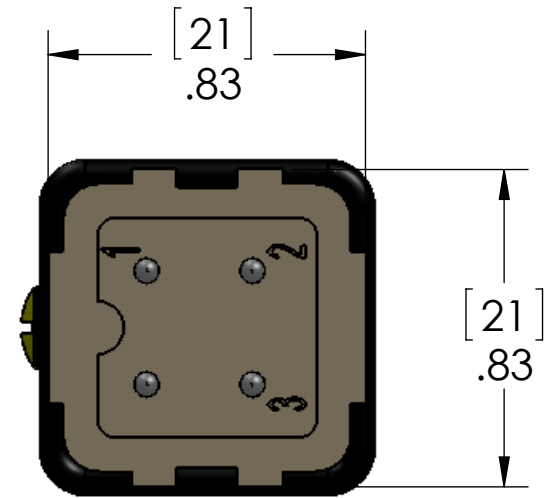
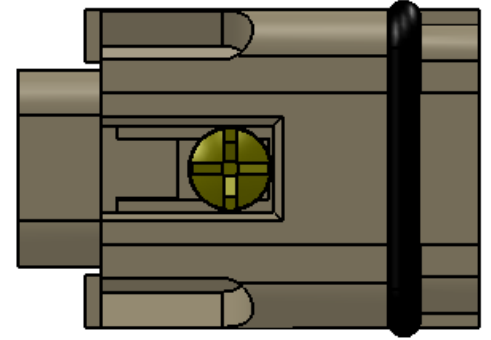
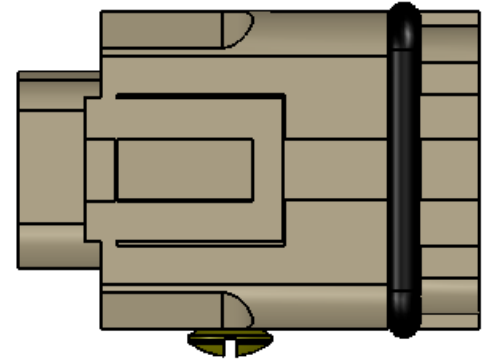


REVISIONS			
REV.	DESCRIPTION	DATE	APPROVED
A	REDRAWN IN SW	5/16/2005	BEM



MATERIALS	
HOUSING:	GLASS REINFORCED THERMOPLASTIC
SCREWS:	NICKEL PLATED BRASS HARDWARE
	NICKEL PLATED BRASS
RATINGS:	UL - 600V, 10A VDE - 250V, 10A
APPROVALS:	UL & CSA

PROPRIETARY AND CONFIDENTIAL
 THE INFORMATION CONTAINED IN THIS DRAWING IS THE SOLE PROPERTY OF MENCOM CORPORATION. ANY REPRODUCTION IN PART OR AS A WHOLE WITHOUT THE WRITTEN PERMISSION OF MENCOM CORPORATION IS PROHIBITED.

UNLESS OTHERWISE SPECIFIED:	
DIMENSIONS ARE IN INCHES	
TOLERANCES:	
FRACTIONAL ± 1/64	
ANGULAR: MACH ± 5° BEND ± 5°	
TWO PLACE DECIMAL ± .01	
THREE PLACE DECIMAL ± .004	
MATERIAL	
FINISH	
DO NOT SCALE DRAWING	

MENCOM CORPORATION		
TITLE:		
3 PL ML CK PLUG INSERT		
SIZE	DWG. NO.	REV
B	CKM-03	A
SCALE: 2:1	WEIGHT:	SHEET 1 OF 1

