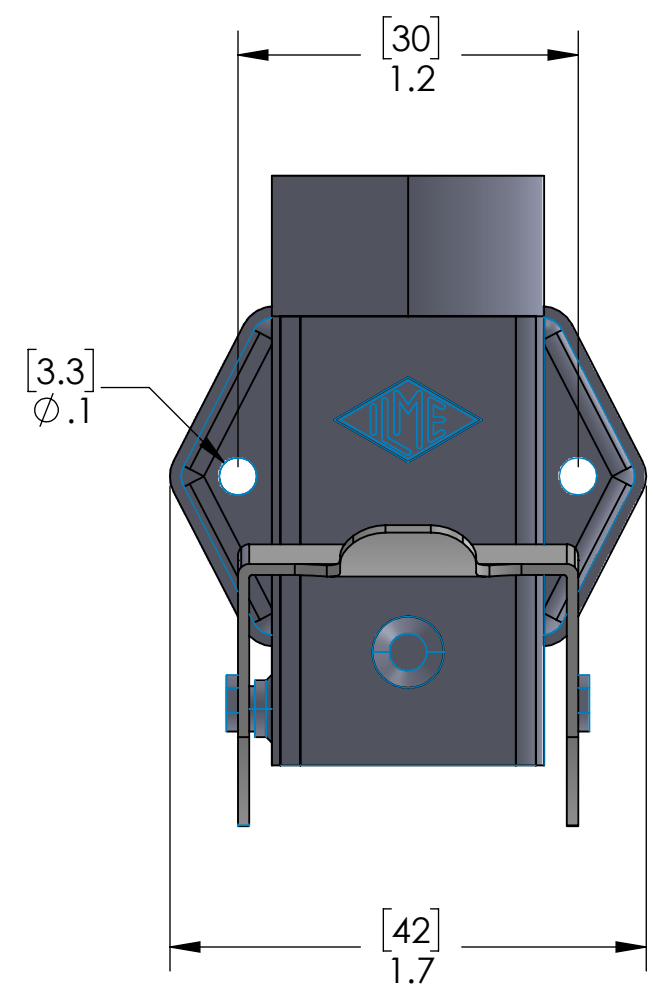
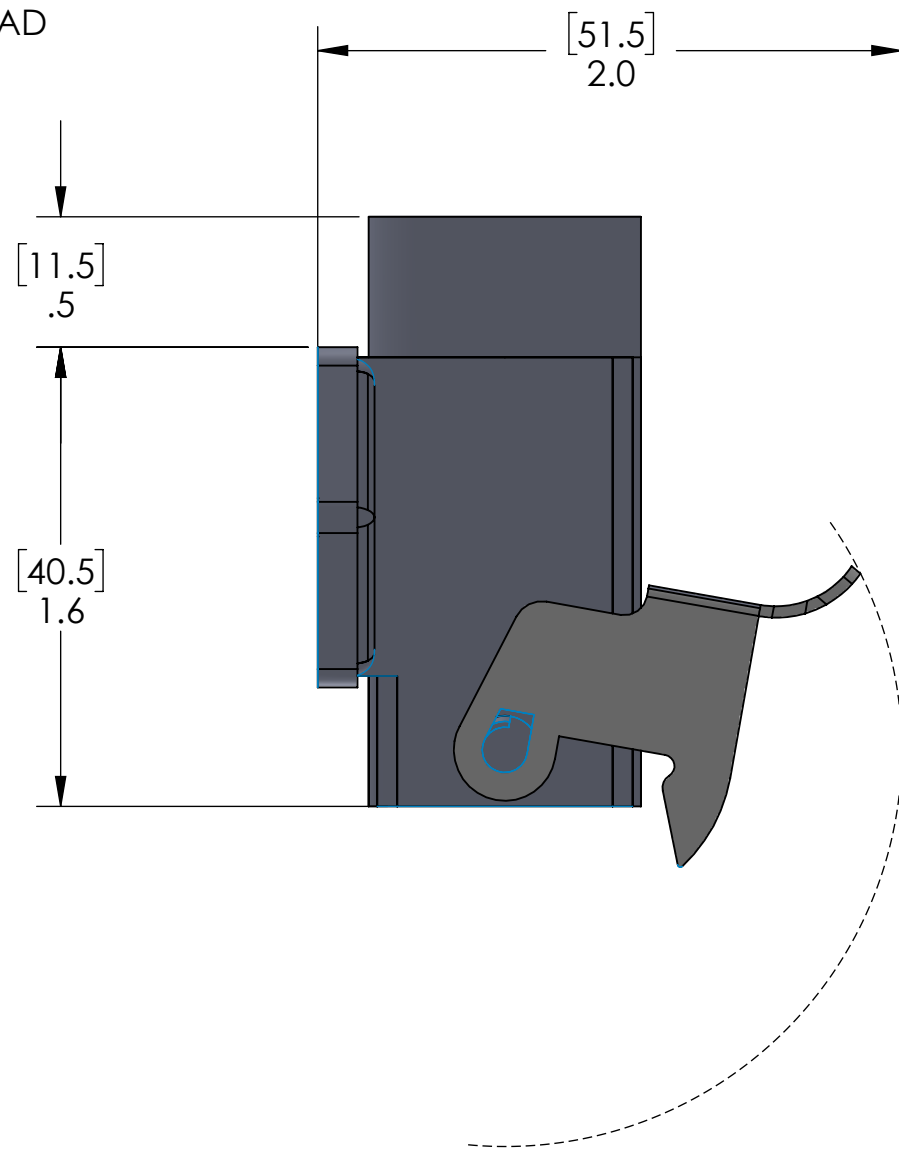
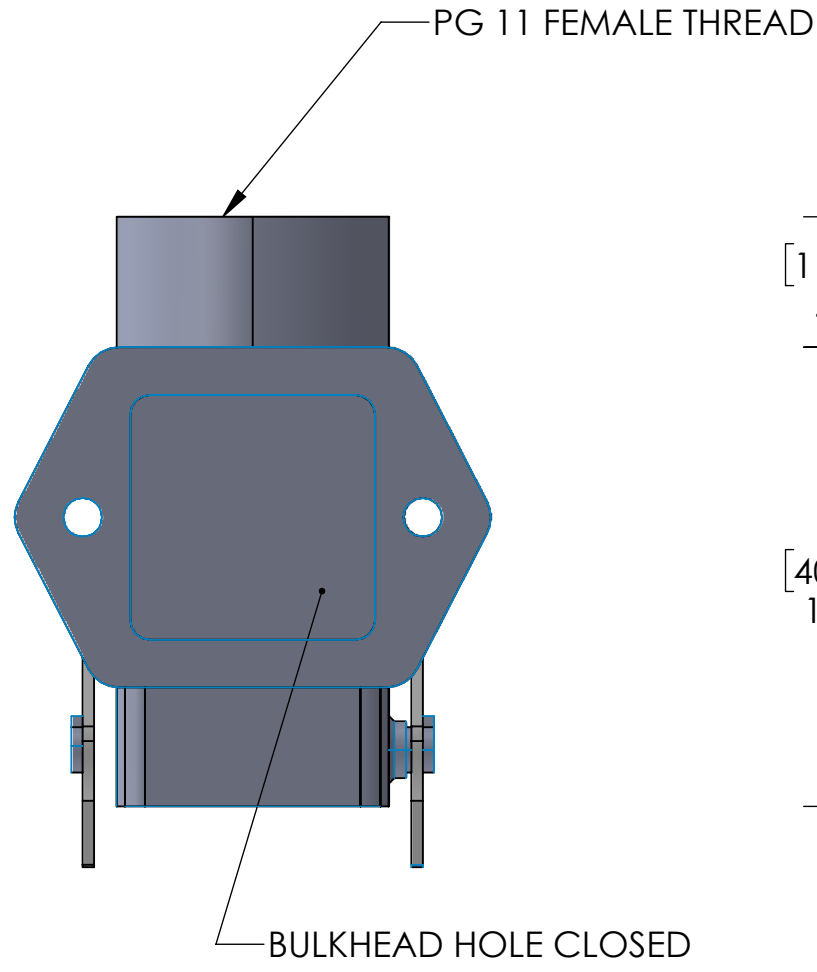


8 7 6 5 4 3 2 1

D
C
B
A

D
C
B
A



IP 44 IP66/67 WITH CKR 65 (D)

PROPRIETARY AND CONFIDENTIAL
THE INFORMATION CONTAINED IN THIS DRAWING IS THE SOLE PROPERTY OF MENCOM CORPORATION. ANY REPRODUCTION IN PART OR AS A WHOLE WITHOUT THE WRITTEN PERMISSION OF MENCOM CORPORATION IS PROHIBITED.

UNLESS OTHERWISE SPECIFIED:
DIMENSIONS ARE IN INCHES AND [MM]

MATERIAL

FINISH

DO NOT SCALE DRAWING

HOUSING MATERIALS	
BODY:	EPOXY COATED DIE CAST ALUMINUM
LEVER	GALVANIZED STEEL
APPROVALS	
US	UL RECOGNIZED
CANADA	C-UL RECOGNIZED
MENCOM CORPORATION	
TITLE:	
SIZE	DWG. NO.
B	CKA-03APS
SCALE: 3:2	WEIGHT:
REV	
A	
SHEET 1 OF 1	

8 7 6 5 4 3 2 1