

CX 01 9VF/9VM for 9-pole crimp D-SUB connector

The modular inserts must be installed in suitable frames which are then mounted in traditional enclosures* or in COB panel support.
Single-sized modular units may be directly mounted inside MIXO ONE enclosures.

frames for modular units* page: 316 - 317

MIXO ONE enclosures 369

* enclosures:
housings or high construction hoods

module adapter for 1 D-SUB connector



CI (5A) crimp contacts for D-SUB gold plated



description	part No.	part No
-------------	----------	---------

seat for 1 D-SUB crimp contacts connector and shield (included)

female insert with connector
male insert with connector

CX 01 9VF
CX 01 9VM

CI (5A) female crimp contacts
0.08-0.13 mm² AWG 28-26
0.20-0.52 mm² AWG 24-20

CIVFD 0.1
CIVFD 0.5

gold plated

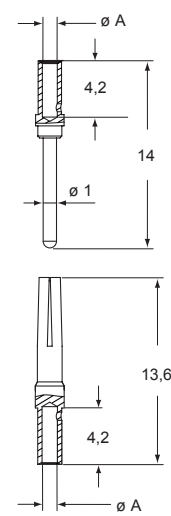
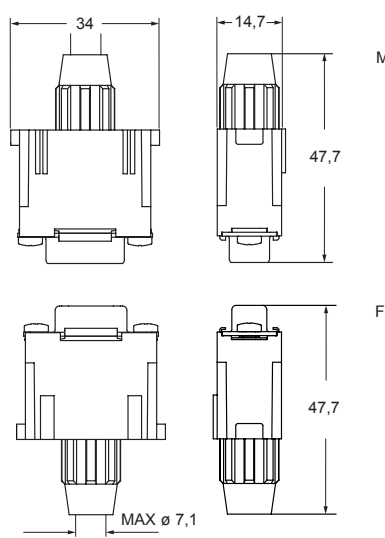
CI (5A) male crimp contacts
0.08-0.13 mm² AWG 28-26
0.20-0.52 mm² AWG 24-20

CIVMD 0.1
CIVMD 0.5

MIXO DATA

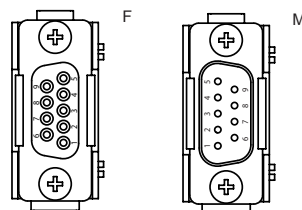
- characteristics according to EN 61984:
5A 50V 0,8kV 3
- insulation resistance: $\geq 10 \text{ G}\Omega$
- ambient temperature limit: $-40 \text{ }^\circ\text{C} \dots +70 \text{ }^\circ\text{C}$
- for crimp 5A contacts CI series use, on page 717:
CIPZ D crimping tool
CIVTP D turret head
CIVES insertion / removal tool

Warnings:
We recommend the use of code pins
CRF CX / CRM CX.



contacts side (front view)

side with reference arrow ▲



- 1 frame slot