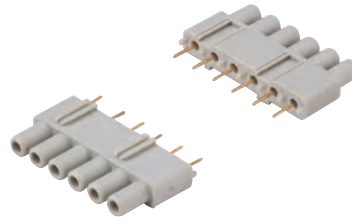


# CIF PCB adapters

inserts		page:
CDD	24 poles + ⊕	76
CDD	42 poles + ⊕	78
CDD	72 poles + ⊕	79
CDD	108 poles + ⊕	81
CX	8/24 poles + ⊕	194
CX	6/36 poles + ⊕	198
CX 12 (MIXO)	12 poles	281

## interface for printed circuit



## 6A contacts for interface silver and gold plated



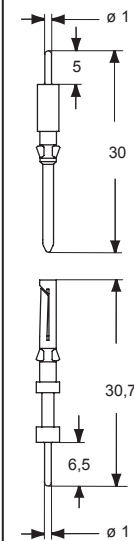
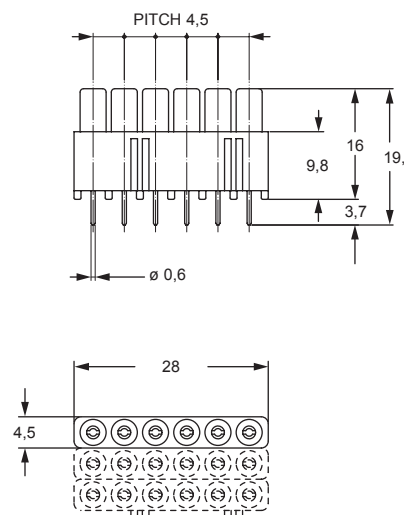
description	part No.	part No.	part No.
interface module with 6 female contacts (gold) for up to 2,4 mm thick PCB	<b>CIF 2.4</b>		
interface module with 6 female contacts (silver) for up to 2,4 mm thick PCB	<b>CIF 2.4 A</b>		
6A female contacts for female inserts with terminal Ø 1 mm		<b>CDFA 6A</b>	<b>CDFD 6A</b>
6A male contacts for male inserts with terminal Ø 1 mm		<b>CDMA 6A</b>	<b>CDMD 6A</b>

### CIF interface

The interface block is made according to the multipole connector used by assembling a suitable number of CIF modules (see table).

inserts series	poles n°	modules "CIF" n°
CDD	24	4
CDD	42	7
CDD	72	12
CDD	108	18
CX	8/24	4
CX	6/36	6
CX (MIXO)	12	2

The block is then welded on the printed circuit on which the multipole connector (female or male) equipped with coupling contacts will then be inserted.



### CIF 2.4, CIF 2.4 A PCB ADAPTERS

