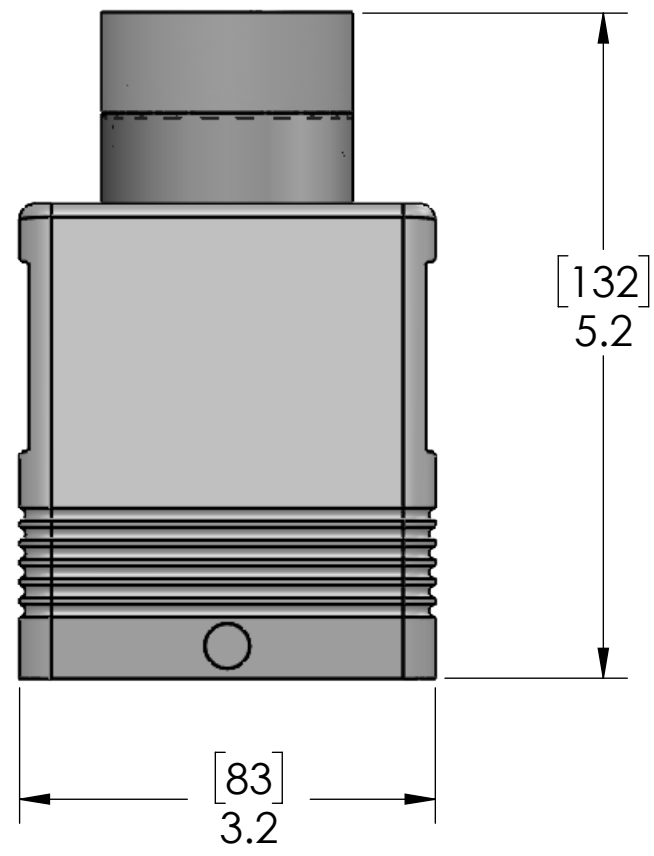
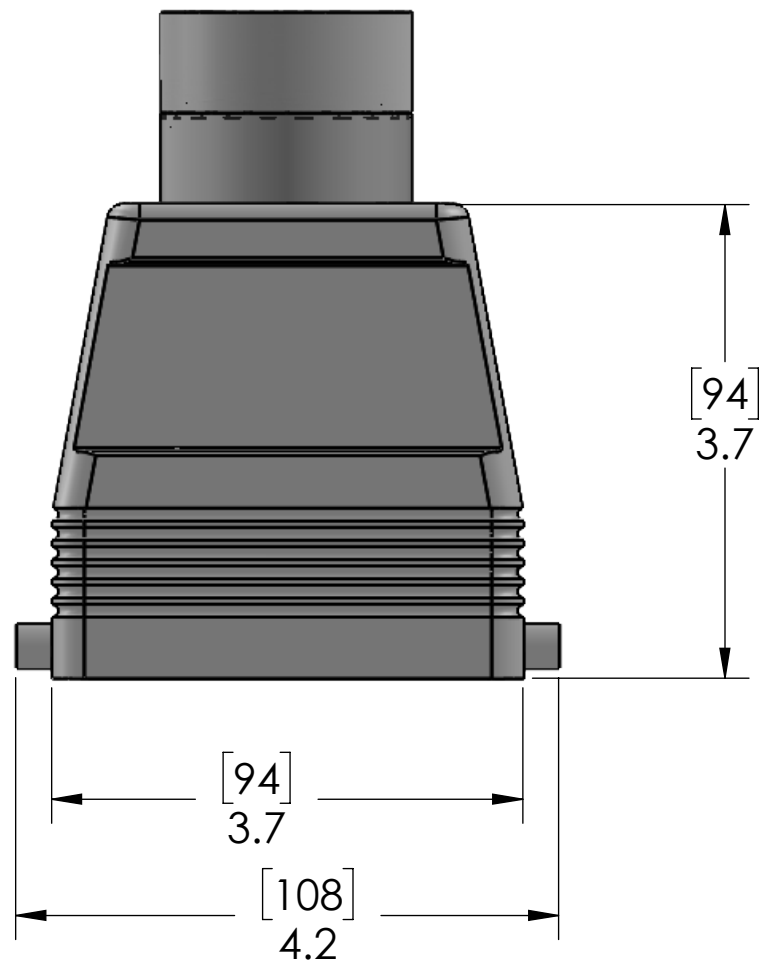
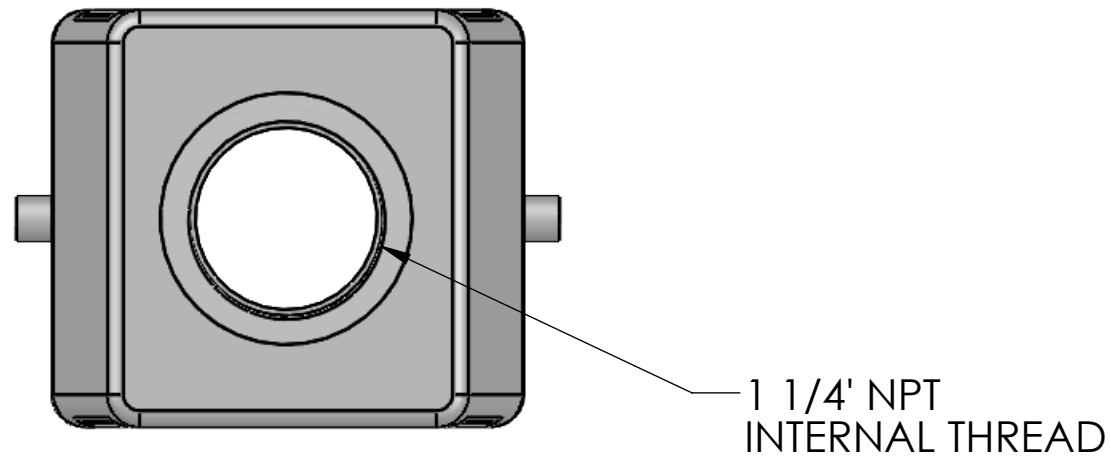


Revisions			
REV.	DESCRIPTION	DATE	DRAWN BY
A	RELEASED	7/29/2020	DCG



HOUSING MATERIALS	
BODY:	EPOXY COATED DIE CAST ALUMINUM
ROLLERS:	STAINLESS STEEL
FITTING:	NICKEL PLATED BRASS

UNLESS OTHERWISE SPECIFIED:	DRAWN BY	DCG
DIMENSIONS ARE IN INCHES AND [MM]	DRAWN DATE	07/29/2020
	CHECKED BY	GO
	CHECK DATE	07/29/2020
	COMMENTS:	
MATERIAL		
FINISH		
DO NOT SCALE DRAWING		

MENCOM CORPORATION		
TITLE: 32 PL TE HD 2 PGS 1.25" NPT		
SIZE B	DWG. NO. CHVT-32.7L	REV A
SCALE: 2:3	WEIGHT:	SHEET 1 OF 1

SEAL RATING OF IP 65 ONLY ACHIEVED WHEN FULLY LATCHED TO MATING BASE AND WITH AN APPROPRIATE SEALING GLAND INSTALLED

PROPRIETARY AND CONFIDENTIAL
THE INFORMATION CONTAINED IN THIS DRAWING IS THE SOLE PROPERTY OF MENCOM CORPORATION. ANY REPRODUCTION IN PART OR AS A WHOLE WITHOUT THE WRITTEN PERMISSION OF MENCOM CORPORATION IS PROHIBITED.