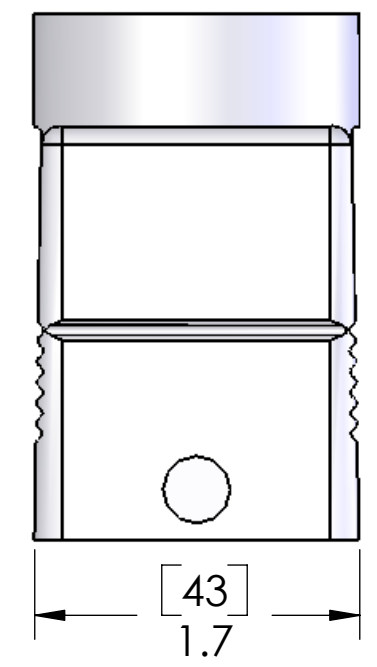
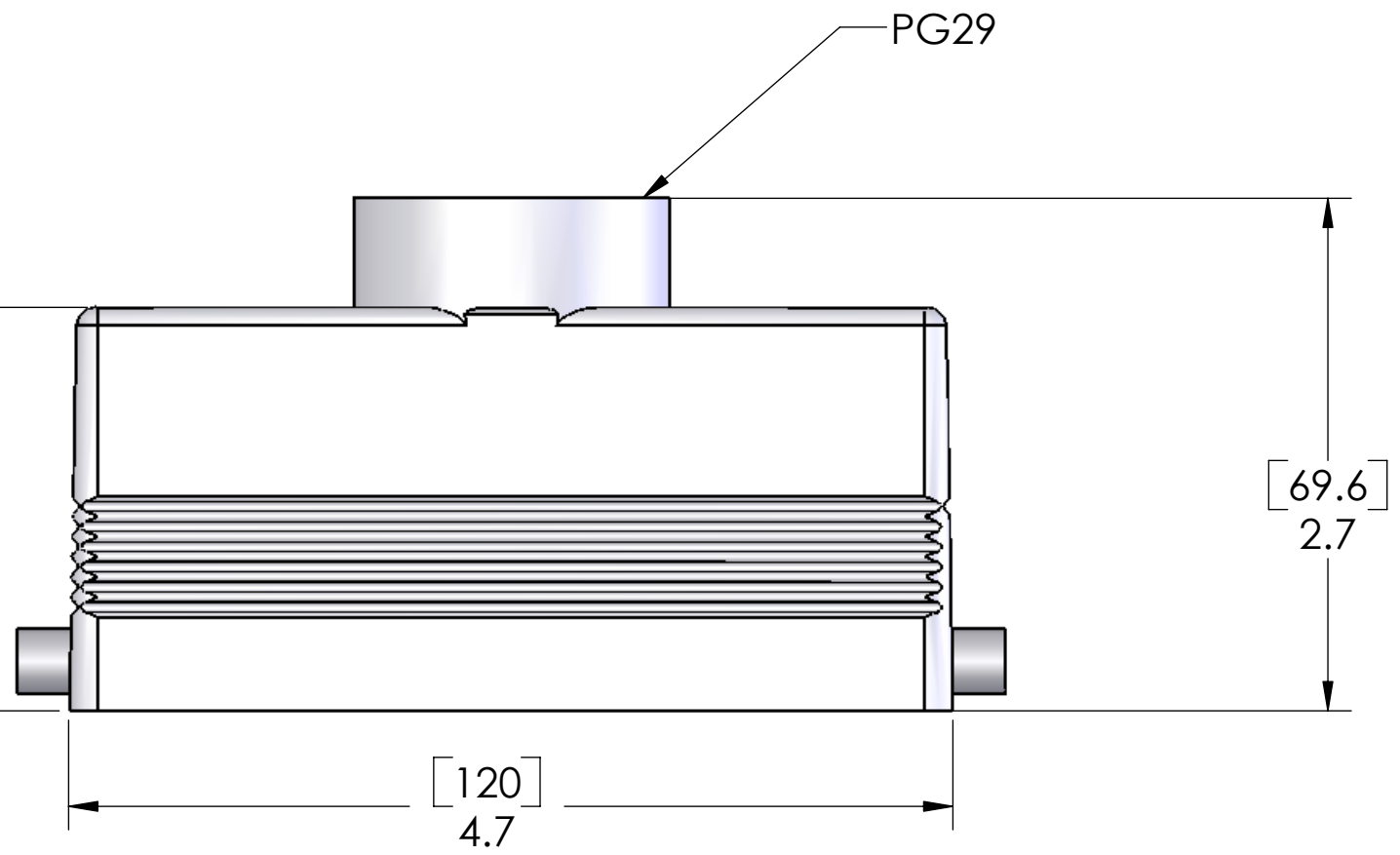
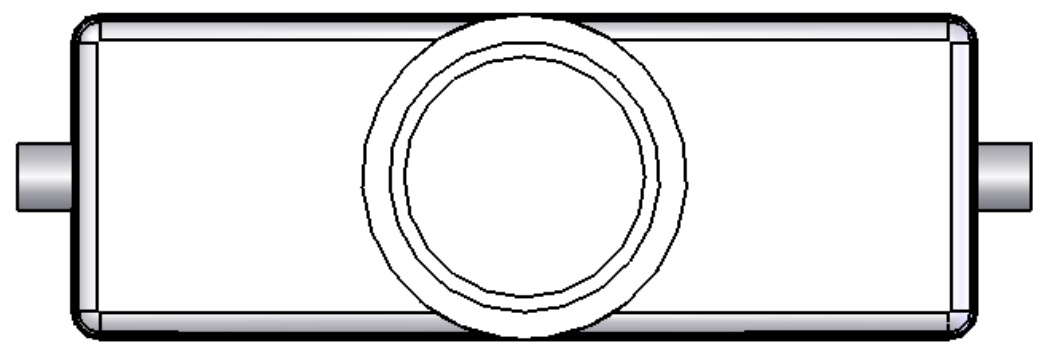


REVISIONS			
REV.	DESCRIPTION	DATE	APPROVED
A	INITIAL RELEASE IN SW	5/19/2005	BEM



MATERIALS:	
BODY:	DIE CAST ALUMINUM ALLOY EPOXY-POLYESTER POWDER COAT
TEMP RATING	-40°C TO 125°C

PROPRIETARY AND CONFIDENTIAL
THE INFORMATION CONTAINED IN THIS DRAWING IS THE SOLE PROPERTY OF MENCOM CORPORATION. ANY REPRODUCTION IN PART OR AS A WHOLE WITHOUT THE WRITTEN PERMISSION OF MENCOM CORPORATION IS PROHIBITED.

UNLESS OTHERWISE SPECIFIED:	
DIMENSIONS ARE IN INCHES	
TOLERANCES:	
FRACTIONAL ±1/64	
ANGULAR: MACH ±5° BEND ±5°	
TWO PLACE DECIMAL ±.01	
THREE PLACE DECIMAL ±.004	
MATERIAL	
FINISH	
DO NOT SCALE DRAWING	

NAME	MENCOM CORPORATION		
DRAWN	CAM		
CHECKED	TITLE:		
ENG APPR.			
MFG APPR.			
Q.A.			
COMMENTS:			
SIZE	DWG. NO.	REV	
B	CHV-24L29	A	
SCALE: 1:1	WEIGHT:	SHEET 1 OF 1	