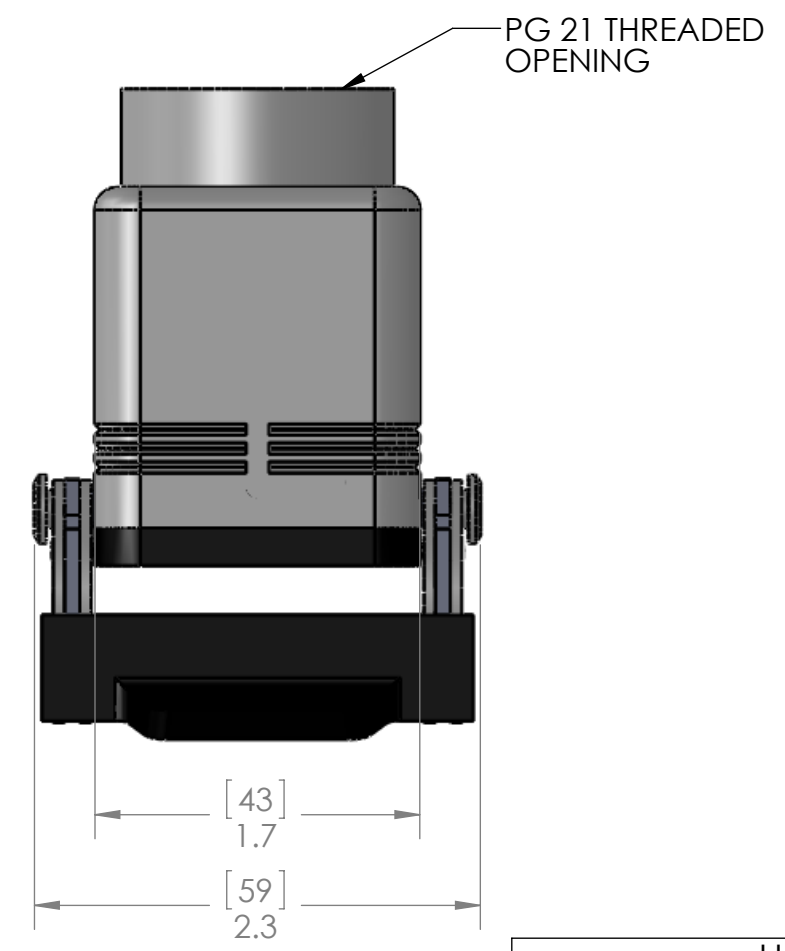
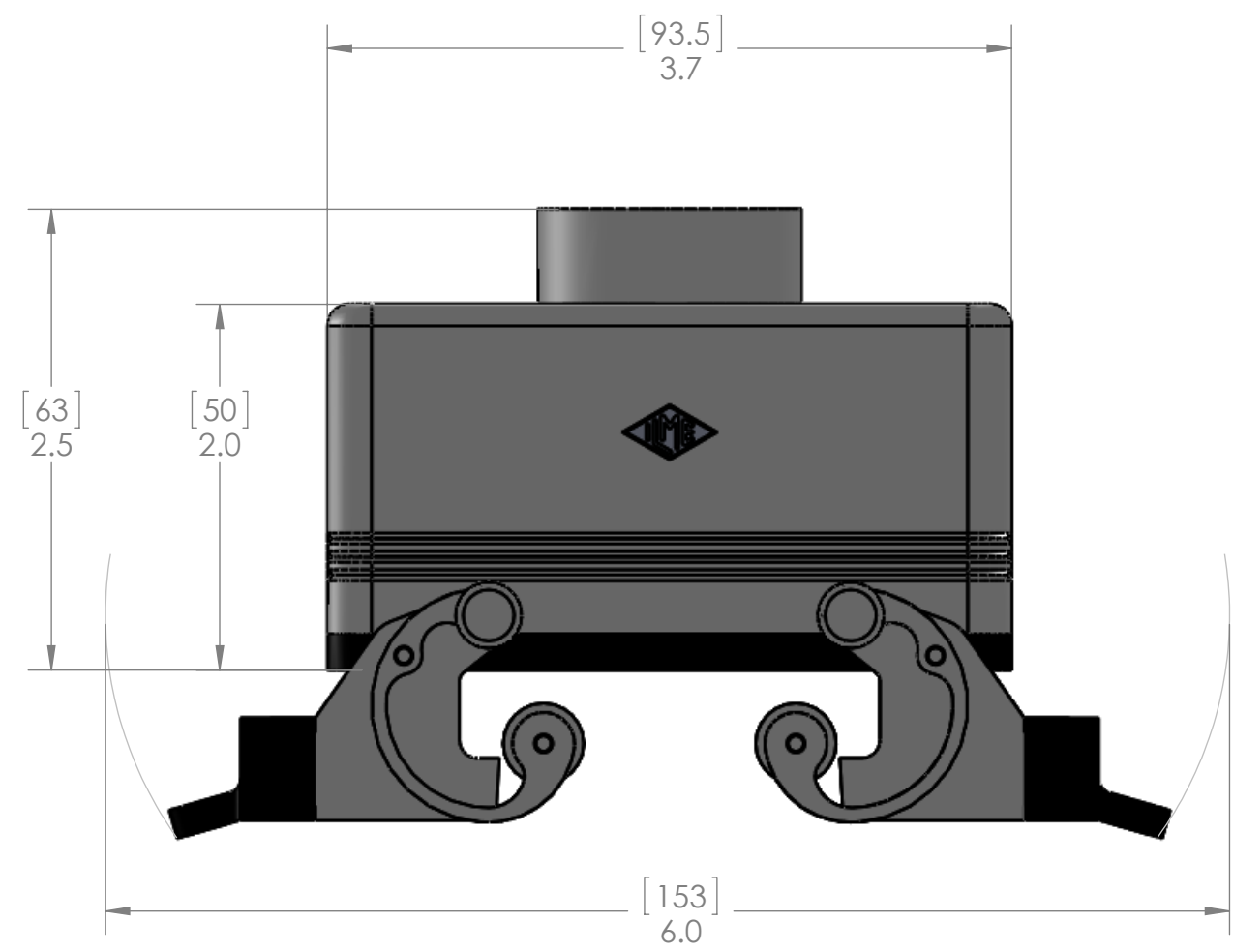


REVISIONS			
REV.	DESCRIPTION	DATE	APPROVED
A	DRAWN IN SW	5/8/2014	JJH



HOUSING MATERIALS	
BODY:	EPOXY COATED DIE CAST ALUMINUM
GASKET:	THERMOPLASTIC ELASTOMER
HANDLE:	POLYAMIDE
LEVERS:	STAINLESS STEEL

APPROVALS	
US	UL RECOGNIZED
CANADA	C-UL RECOGNIZED

SEAL RATING OF IP 66 ONLY ACHIEVED WHEN FULLY LATCHED TO MATING BASE AND WITH AN APPROPRIATE SEALING GLAND INSTALLED

**PROPRIETARY AND CONFIDENTIAL**  
 THE INFORMATION CONTAINED IN THIS DRAWING IS THE SOLE PROPERTY OF MENCOM CORPORATION. ANY REPRODUCTION IN PART OR AS A WHOLE WITHOUT THE WRITTEN PERMISSION OF MENCOM CORPORATION IS PROHIBITED.

UNLESS OTHERWISE SPECIFIED:	
DIMENSIONS ARE IN INCHES [MM]	
MATERIAL	
FINISH	
DO NOT SCALE DRAWING	

NAME		MENCOM CORPORATION	
DRAWN	RSC	TITLE:	
CHECKED		16 PL TOP ENT HD W/LEV PG21	
ENG APPR.		SIZE	DWG. NO.
MFG APPR.		<b>B</b>	CHV-16G
Q.A.		SCALE: 1:1	WEIGHT:
COMMENTS:		REV <b>A</b>	
		SHEET 1 OF 1	