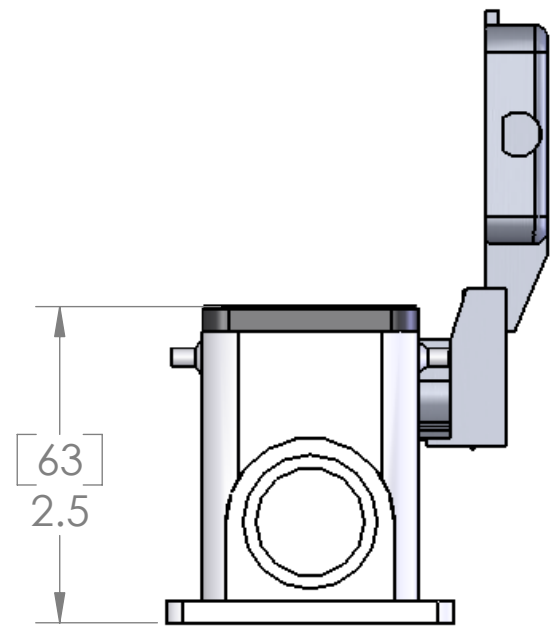
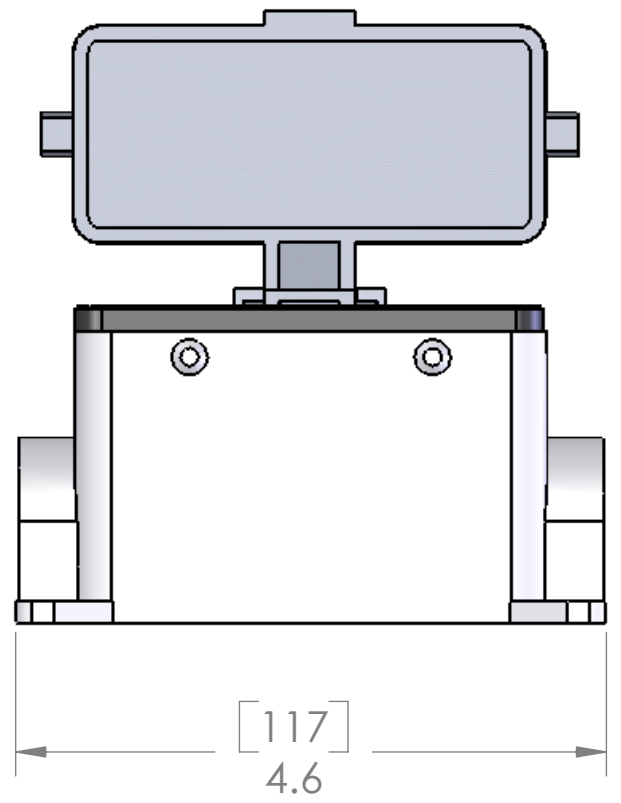
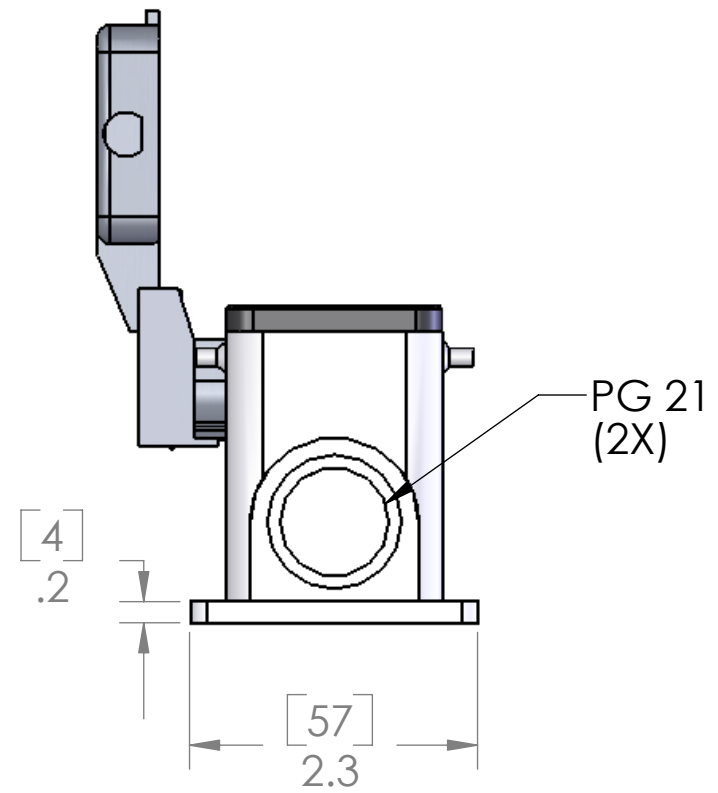
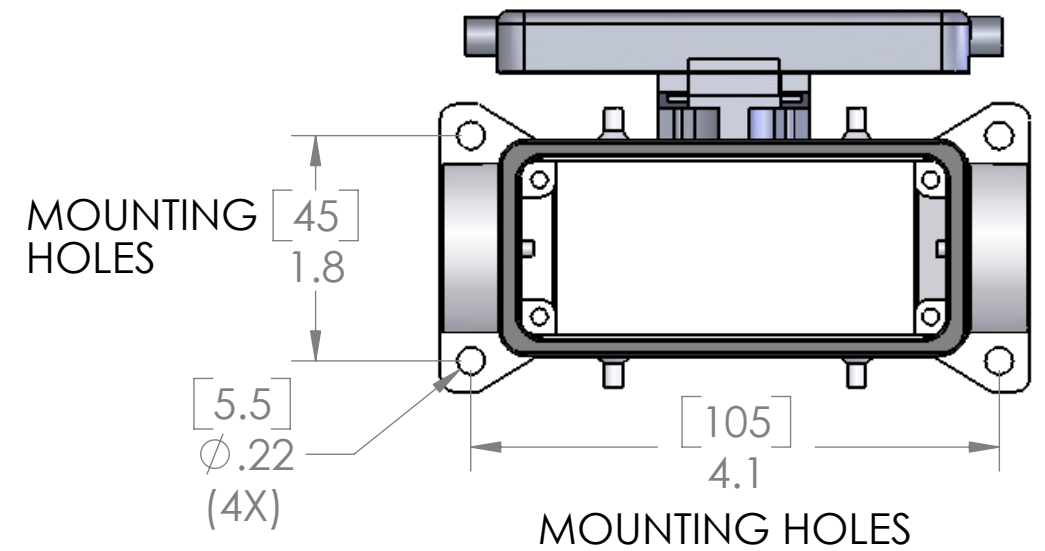


8 7 6 5 4 3 2 1

REVISIONS			
REV.	DESCRIPTION	DATE	APPROVED
A	REDRAWN IN SW	10/16/2006	BEM

D  
C  
B  
A

D  
C  
B  
A



HOUSING MATERIALS	
BODY:	EPOXY COATED DIE CAST ALUMINUM
GASKET:	THERMOPLASTIC ELASTOMER
HANDLE:	POLYAMIDE
LEVERS:	STAINLESS STEEL

SEAL RATING OF IP 65 ONLY ACHIEVED WHEN FULLY LATCHED TO MATING HOOD AND WITH APPROPRIATE SEALING GLANDS INSTALLED

**PROPRIETARY AND CONFIDENTIAL**  
 THE INFORMATION CONTAINED IN THIS DRAWING IS THE SOLE PROPERTY OF MENCOM CORPORATION. ANY REPRODUCTION IN PART OR AS A WHOLE WITHOUT THE WRITTEN PERMISSION OF MENCOM CORPORATION IS PROHIBITED.

UNLESS OTHERWISE SPECIFIED: DIMENSIONS ARE IN INCHES & [MM]	NAME DRAWN CAM
	CHECKED
	ENG APPR.
	MFG APPR.
	Q.A.
MATERIAL	COMMENTS:
FINISH	
DO NOT SCALE DRAWING	

MENCOM CORPORATION		
TITLE: 16 POLE SURFACE MOUNT W/ DOUBLE LEVERS, PG21 DOUBLE ENTRY		
SIZE <b>B</b>	DWG. NO. CHP-16CS2	REV <b>A</b>
SCALE: 2:3	WEIGHT:	SHEET 1 OF 1

8 7 6 5 4 3 2 1