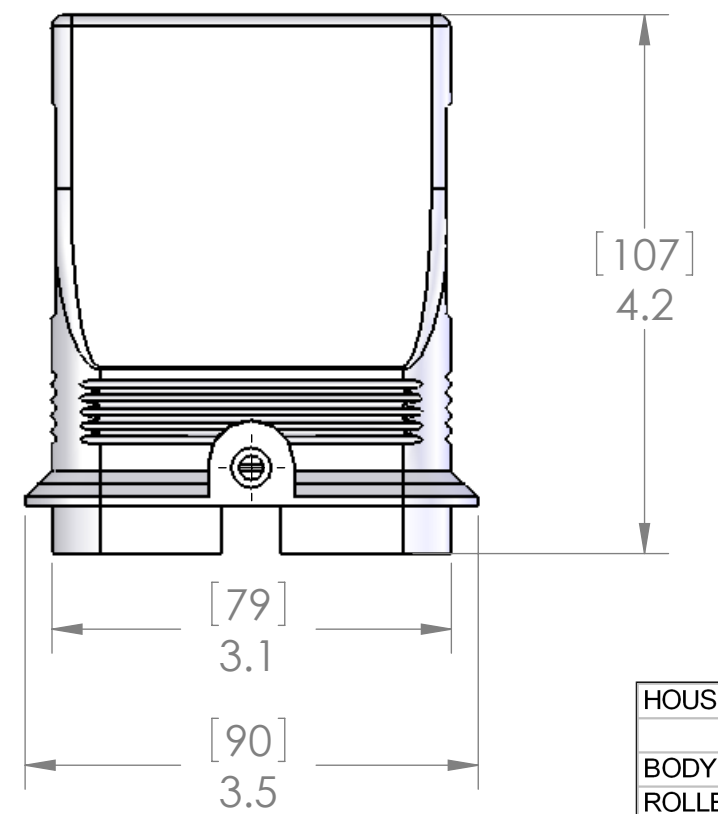
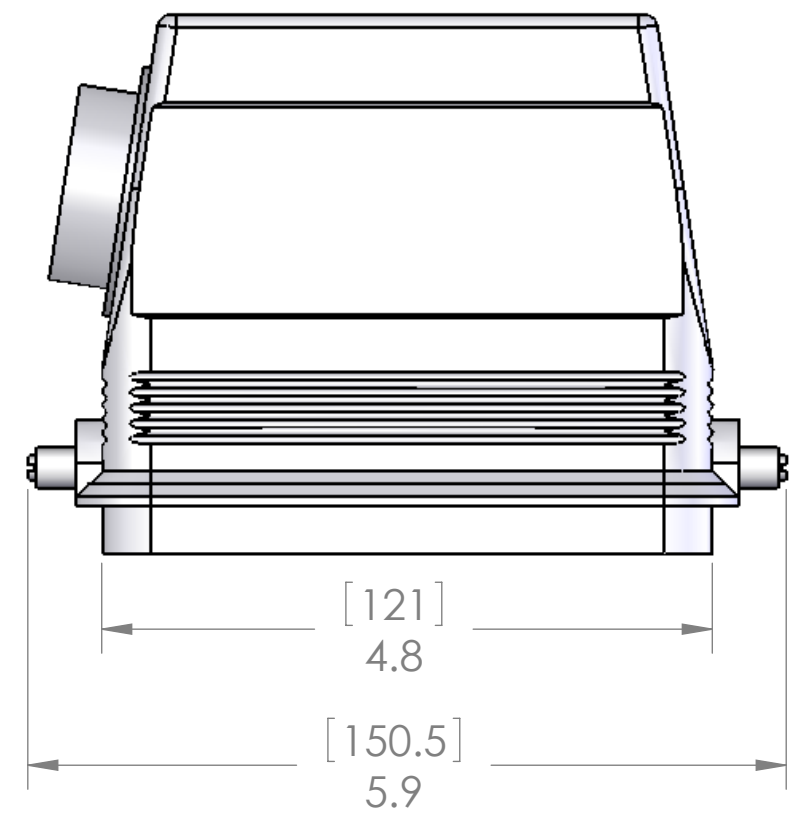
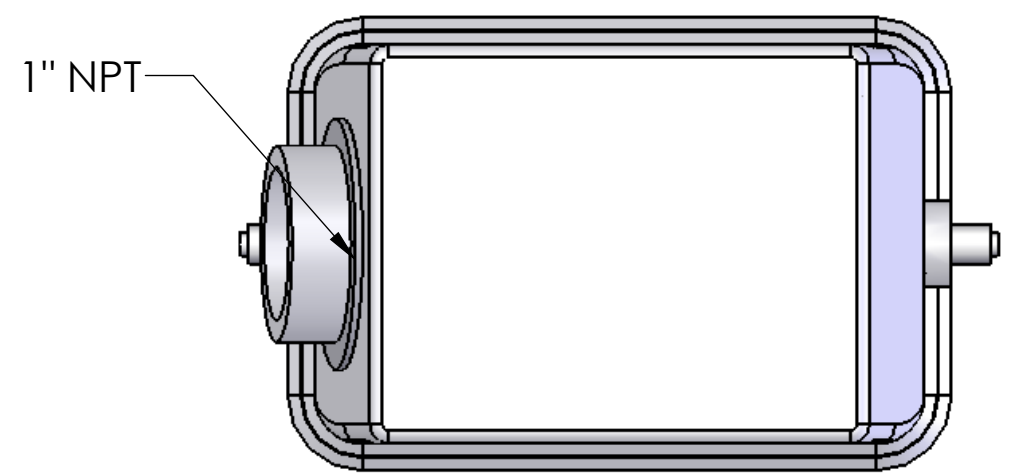


REVISIONS			
REV.	DESCRIPTION	DATE	APPROVED
A	REDRAWIN IN SW	1/24/2007	BEM



HOUSING MATERIALS	
BODY:	EPOXY COATED DIE CAST ALUMINUM
ROLLERS:	STAINLESS STEEL
FITTING:	NICKEL PLATED BRASS

UNLESS OTHERWISE SPECIFIED:	NAME
DIMENSIONS ARE IN INCHES AND [MM]	DRAWN CAM
	CHECKED
	ENG APPR.
	MFG APPR.
	Q.A.
	COMMENTS:
MATERIAL	
FINISH	
DO NOT SCALE DRAWING	

MENCOM CORPORATION		
TITLE: 48 POLE HOOD, 1"NPT, WITH PEGS, SIDE ENTRY		
SIZE B	DWG. NO. CHOT-48.6L	REV A
SCALE: 2:3	WEIGHT:	SHEET 1 OF 1

PROPRIETARY AND CONFIDENTIAL
THE INFORMATION CONTAINED IN THIS DRAWING IS THE SOLE PROPERTY OF MENCOM CORPORATION. ANY REPRODUCTION IN PART OR AS A WHOLE WITHOUT THE WRITTEN PERMISSION OF MENCOM CORPORATION IS PROHIBITED.

SEAL RATING OF IP 65 ONLY ACHIEVED WHEN FULLY LATCHED TO MATING BASE AND WITH AN APPROPRIATE SEALING GLAND INSTALLED