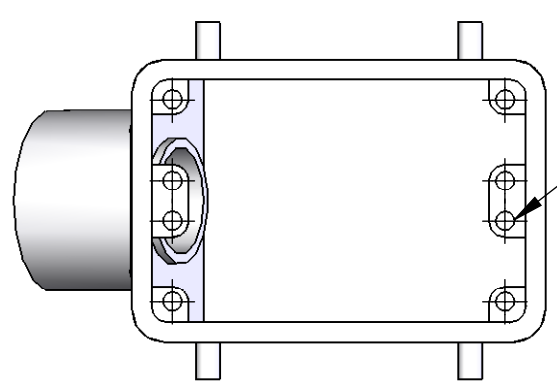
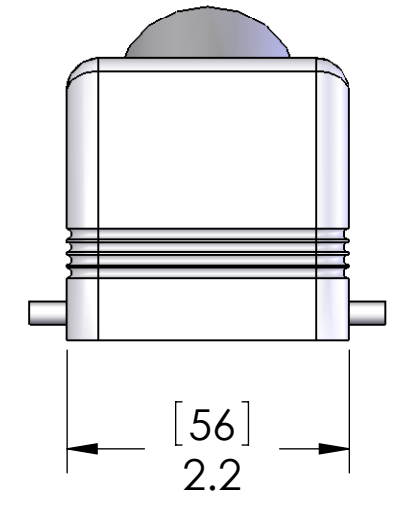
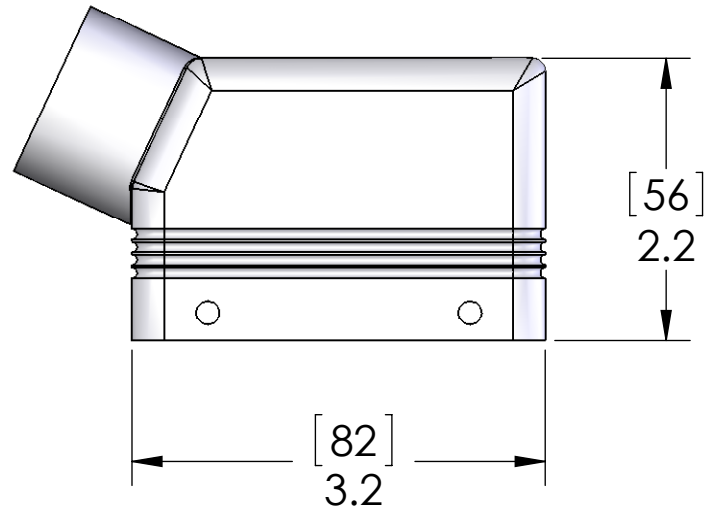
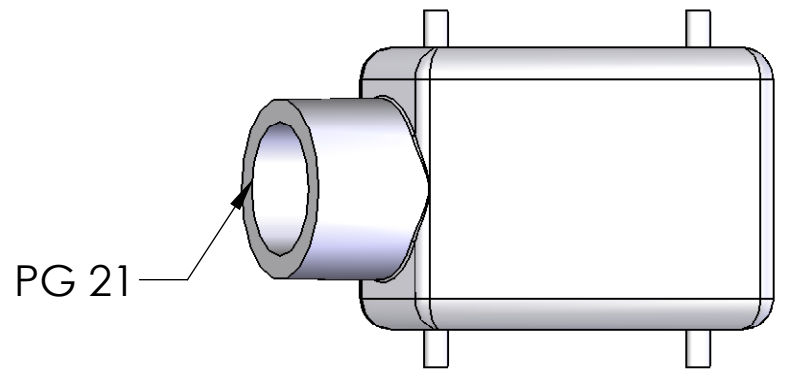


REVISIONS			
REV.	DESCRIPTION	DATE	APPROVED
A	INITIAL RELEASE IN SW	6/5/2006	



MOUNTING LOCATION FOR 2 INSERTS

HOUSING MATERIALS	
BODY:	EPOXY COATED DIE CAST ALUMINUM

UNLESS OTHERWISE SPECIFIED: DIMENSIONS ARE IN INCHES AND [MM]	NAME DRAWN CAM
MATERIAL	CHECKED
FINISH	ENG APPR.
	MFG APPR.
	Q.A.
	COMMENTS:
DO NOT SCALE DRAWING	

MENCOM CORPORATION		
TITLE: 32 / 50 POLE SIDE ENTRY HOOD 4 PEGS PG21		
SIZE B	DWG. NO. CHO-50	REV A
SCALE: 2:3	WEIGHT:	SHEET 1 OF 1

SEAL RATING OF IP 65 ONLY ACHIEVED WHEN FULLY LATCHED TO MATING BASE AND WITH AN APPROPRIATE SEALING GLAND INSTALLED

PROPRIETARY AND CONFIDENTIAL
THE INFORMATION CONTAINED IN THIS DRAWING IS THE SOLE PROPERTY OF MENCOM CORPORATION. ANY REPRODUCTION IN PART OR AS A WHOLE WITHOUT THE WRITTEN PERMISSION OF MENCOM CORPORATION IS PROHIBITED.