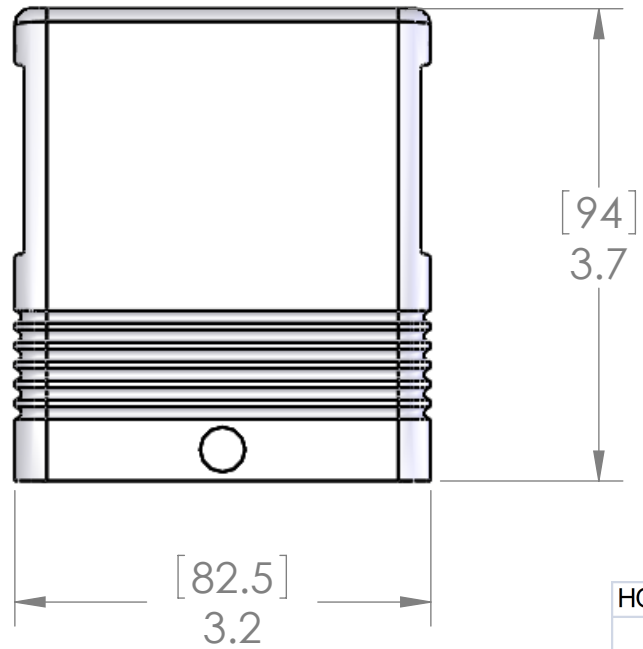
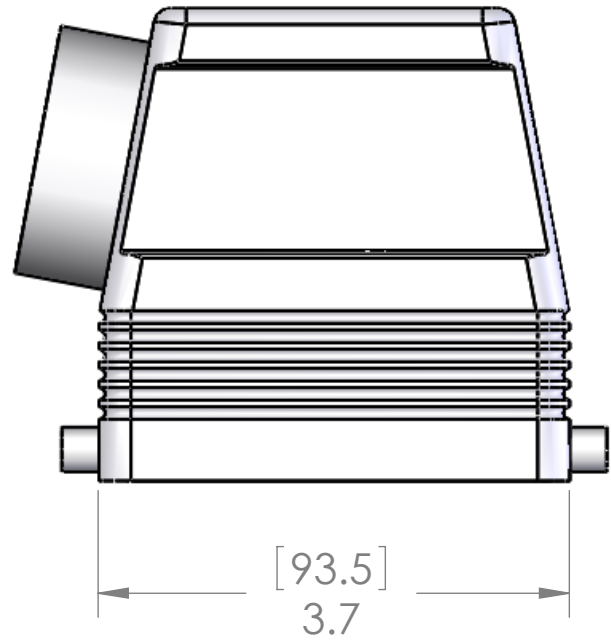
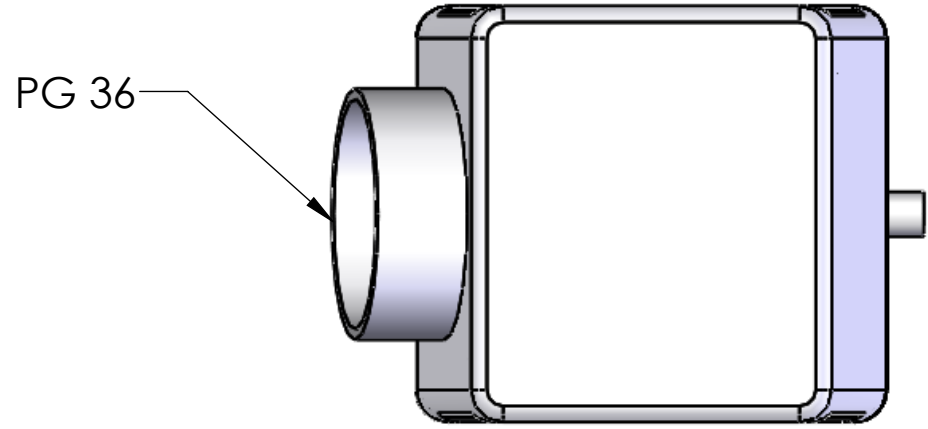


| REVISIONS |               |          |          |
|-----------|---------------|----------|----------|
| REV.      | DESCRIPTION   | DATE     | APPROVED |
| A         | REDRAWN IN SW | 2/6/2007 | BEM      |



| HOUSING MATERIALS |                                |
|-------------------|--------------------------------|
| BODY:             | EPOXY COATED DIE CAST ALUMINUM |
| ROLLERS:          | STAINLESS STEEL                |
| FITTING:          | NICKEL PLATED BRASS            |

|                                   |           |
|-----------------------------------|-----------|
| UNLESS OTHERWISE SPECIFIED:       | NAME      |
| DIMENSIONS ARE IN INCHES AND [MM] | DRAWN CAM |
|                                   | CHECKED   |
|                                   | ENG APPR. |
|                                   | MFG APPR. |
|                                   | Q.A.      |
|                                   | COMMENTS: |
| MATERIAL                          |           |
| FINISH                            |           |
| DO NOT SCALE DRAWING              |           |

|   |                  |              |
|---|------------------|--------------|
| MENCOM CORPORATION  |                  |              |
| TITLE: 32 POLE HOOD, PG36, WITH PEGS, SIDE ENTRY SINGLE LEVER |                  |              |
| SIZE <b>B</b>   | DWG. NO. CHO-32L | REV <b>A</b> |
| SCALE: 2:3  | WEIGHT:          | SHEET 1 OF 1 |

**PROPRIETARY AND CONFIDENTIAL**  
 THE INFORMATION CONTAINED IN THIS DRAWING IS THE SOLE PROPERTY OF MENCOM CORPORATION. ANY REPRODUCTION IN PART OR AS A WHOLE WITHOUT THE WRITTEN PERMISSION OF MENCOM CORPORATION IS PROHIBITED.

SEAL RATING OF IP 65 ONLY ACHIEVED WHEN FULLY LATCHED TO MATING BASE AND WITH AN APPROPRIATE SEALING GLAND INSTALLED