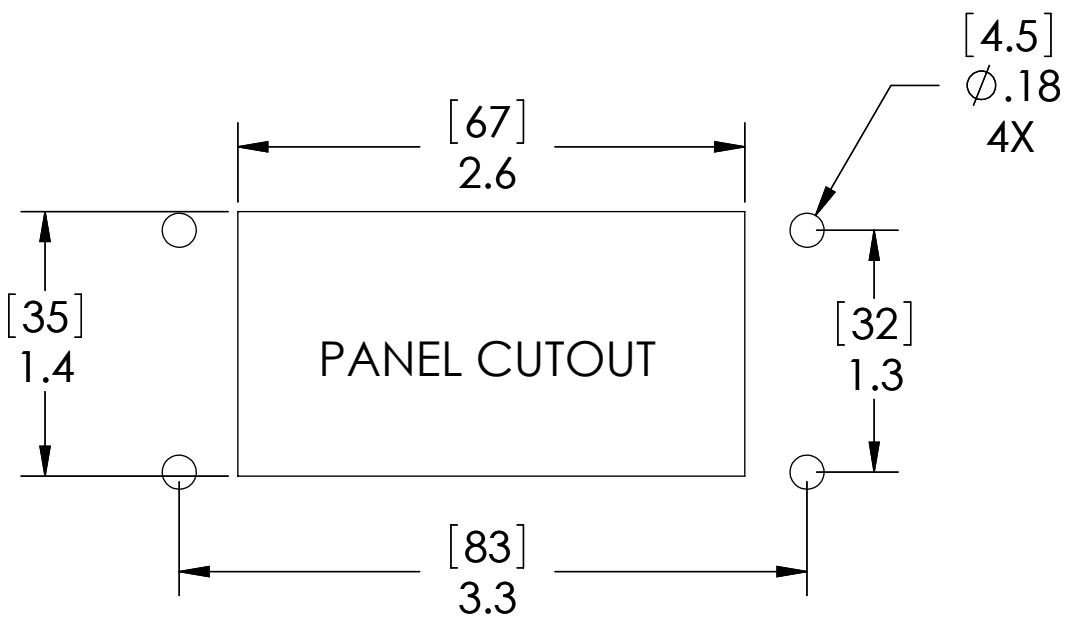
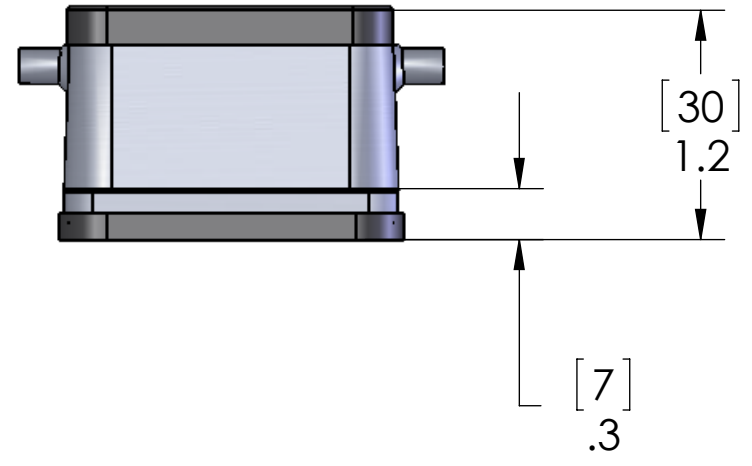
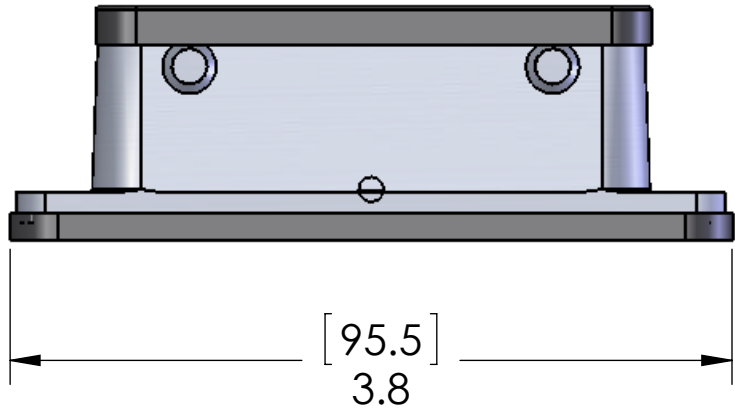
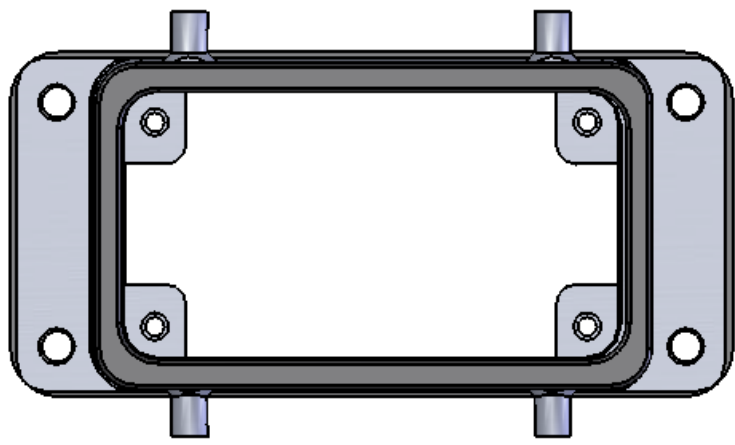


REVISIONS			
REV.	DESCRIPTION	DATE	APPROVED
A	REDRAWN IN SW	2/11/2015	BEM



HOUSING MATERIALS	
BODY:	EPOXY COATED DIE CAST ALUMINUM
GASKET:	THERMOPLASTIC ELASTOMER
HANDLE:	POLYAMIDE
APPROVALS	
US	UL RECOGNIZED
CANADA	C-UL RECOGNIZED

UNLESS OTHERWISE SPECIFIED:		NAME
DIMENSIONS ARE IN INCHES		DRAWN: JJH
		CHECKED:
		ENG APPR.:
		MFG APPR.:
		Q.A.:
		COMMENTS:
MATERIAL:		
FINISH:		
DO NOT SCALE DRAWING		

MENCOM CORPORATION		
TITLE:		
SIZE: <b>B</b>	DWG. NO.: CHI-10C	REV: <b>A</b>
SCALE: 1:1	WEIGHT:	SHEET 1 OF 1

SEAL RATING OF IP 65 ONLY ACHIEVED WHEN FULLY LATCHED TO MATING HOOD

**PROPRIETARY AND CONFIDENTIAL**  
 THE INFORMATION CONTAINED IN THIS DRAWING IS THE SOLE PROPERTY OF MENCOM CORPORATION. ANY REPRODUCTION IN PART OR AS A WHOLE WITHOUT THE WRITTEN PERMISSION OF MENCOM CORPORATION IS PROHIBITED.