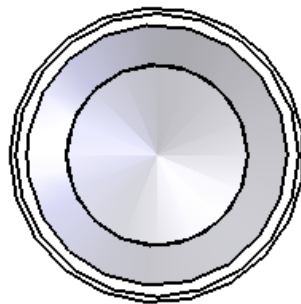
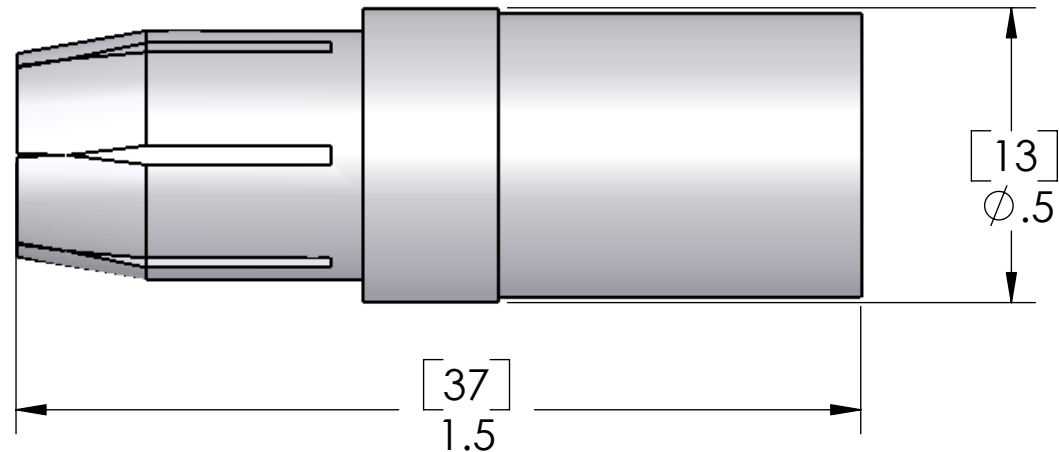


REVISIONS			
REV.	DESCRIPTION	DATE	APPROVED
A	redrawn in sw	8/15/2006	



PART NUMBER	WIRE AWG	SQ. MM
CGFA-16	6	16
CGFA-25	4	25
CGFA-35	2	35

SUGGESTED WIRE STRIP: 0.59 [15]

MATERIALS	
BODY:	SILVER PLATED COPPER ALLOY

PROPRIETARY AND CONFIDENTIAL
 THE INFORMATION CONTAINED IN THIS DRAWING IS THE SOLE PROPERTY OF MENCOM CORPORATION. ANY REPRODUCTION IN PART OR AS A WHOLE WITHOUT THE WRITTEN PERMISSION OF MENCOM CORPORATION IS PROHIBITED.

UNLESS OTHERWISE SPECIFIED: DIMENSIONS ARE IN INCHES AND [MM]	DRAWN	NAME
	CHECKED	BEM
	ENG APPR.	
	MFG APPR.	
	Q.A.	
MATERIAL	COMMENTS:	
FINISH		
DO NOT SCALE DRAWING		

MENCOM CORPORATION		
TITLE:		
SIZE	DWG. NO.	REV
B	CGFA-ZZ	A
SCALE: 3:1	WEIGHT:	SHEET 1 OF 1