

CX 6 poles + ⊕ (100A - 690V) + 6 poles (16A - 400V) + ⊖

enclosures: size "104.27"	page:
C-TYPE IP65/IP66	412 - 423
C7 IP67, two levers	441 - 442
V-TYPE IP65/IP66, single lever	459 - 463
BIG hoods	472 - 473
T-TYPE IP65 insulating	486 - 487
T-TYPE / W IP66/IP69 insulating	492
HYGIENIC T-TYPE / H IP66/IP69	504
HYGIENIC T-TYPE / C IP66/IP69, -50 °C	509
W-TYPE for aggressive environments	524
E-Xtreme® corrosion proof	536 - 537, 545, 556 - 557
EMC	581
Central lever	612 - 614
LS-TYPE	624 - 625
IP68	644 - 647

panel supports: COB	page: 652 - 653
------------------------	--------------------

enclosures:
bulkhead mounting housings, high construction housings
or high construction hoods

inserts, crimp connections



100A and 16A crimp contacts silver and gold plated



description	part No.	part No.
-------------	----------	----------

without contacts (to be ordered separately)		
female inserts for female contacts	CXF 6/6	
male inserts for male contacts	CXM 6/6	

100A female crimp contacts			
8 - 10 mm ² AWG 8 - 7		CGFA 10	silver plated
16 mm ² AWG 6 - 5		CGFA 16	
25 mm ² AWG 4 - 3		CGFA 25	
35 mm ² AWG 2		CGFA 35	
100A male crimp contacts			
8 - 10 mm ² AWG 8 - 7		CGMA 10	gold plated*
16 mm ² AWG 6 - 5		CGMA 16	
25 mm ² AWG 4 - 3		CGMA 25	
35 mm ² AWG 2		CGMA 35	

* for basic or high thickness gold plating, please refer to page 675

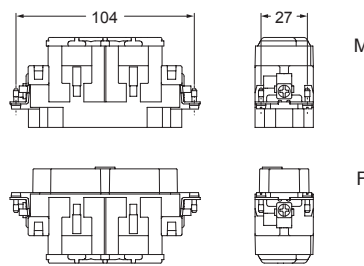
16A female contacts					
0,14-0,37 mm ² AWG 26-22	one groove	CCFA 0.3	CCFD 0.3	gold plated*	
0,5 mm ² AWG 20	with no grooves	CCFA 0.5	CCFD 0.5		
0,75 mm ² AWG 18	one groove (back side)	CCFA 0.7	CCFD 0.7		
1 mm ² AWG 18	one groove	CCFA 1.0	CCFD 1.0		
1,5 mm ² AWG 16	two grooves	CCFA 1.5	CCFD 1.5		
2,5 mm ² AWG 14	three grooves	CCFA 2.5	CCFD 2.5		
3 mm ² AWG 12	one wide groove	CCFA 3.0	CCFD 3.0		
4 mm ² AWG 12	with no grooves	CCFA 4.0	CCFD 4.0		
16A male contacts					
0,14-0,37 mm ² AWG 26-22	one groove	CCMA 0.3	CCMD 0.3		
0,5 mm ² AWG 20	with no grooves	CCMA 0.5	CCMD 0.5		
0,75 mm ² AWG 18	one groove (back side)	CCMA 0.7	CCMD 0.7		
1 mm ² AWG 18	one groove	CCMA 1.0	CCMD 1.0		
1,5 mm ² AWG 16t	wo grooves	CCMA 1.5	CCMD 1.5		
2,5 mm ² AWG 14	three grooves	CCMA 2.5	CCMD 2.5		
3 mm ² AWG 12	one wide groove	CCMA 3.0	CCMD 3.0		
4 mm ² AWG 12	with no grooves	CCMA 4.0	CCMD 4.0		

- characteristics according to EN 61984:

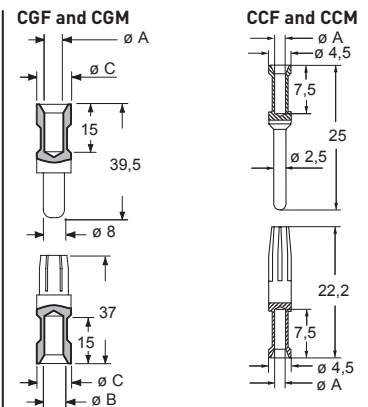
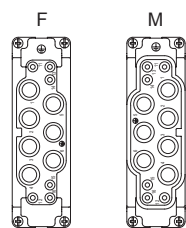
100A 690V 8kV 3
16A 400V 6kV 3

- us (UL for USA and Canada),

- certified
- rated voltage according to UL/CSA: 600V
- insulation resistance: ≥ 10 GΩ
- ambient temperature limit: -40 °C ... +125 °C
- made of self-extinguishing thermoplastic resin UL 94V-0
- mechanical life: ≥ 500 cycles
- contact resistance: ≤ 0,3 mΩ (100A), ≤ 1 mΩ (16A)
- for max. current load see the connector inserts derating diagram below; for more information see page 28



contacts side (front view)

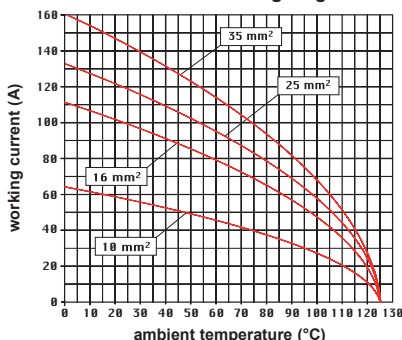


CGF and CGM contacts				
conductor section (mm ²)	conductor slot ø A (mm)	ø B (mm)	ø C (mm)	conductor stripping length (mm)
8-10	4,3	4,3	13	15
16	5,5	5,5	13	15
25	7,0	7,0	13	15
35	7,9	8,2	12,5	15

CCF and CCM contacts			
conductor section (mm ²)	conductor slot ø A (mm)	conductors stripping length (mm)	
0,14-0,37	0,9	7,5	
0,5	1,1	7,5	
0,75	1,3	7,5	
1,0	1,45	7,5	
1,5	1,8	7,5	
2,5	2,2	7,5	
3	2,55	7,5	
4	2,85	7,5	

- it is recommended to crimp the contacts with crimping tools homologated by ILME (please see the crimping tool section 100A contacts CGF, CGM series and 16A contacts CCF, CCM series) on pages 708 - 741

CX 6/6 power poles connector inserts
Maximum current load derating diagram



CX 6/6