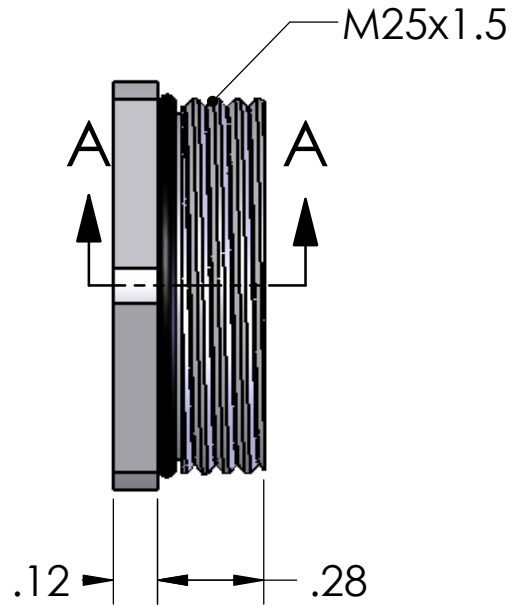
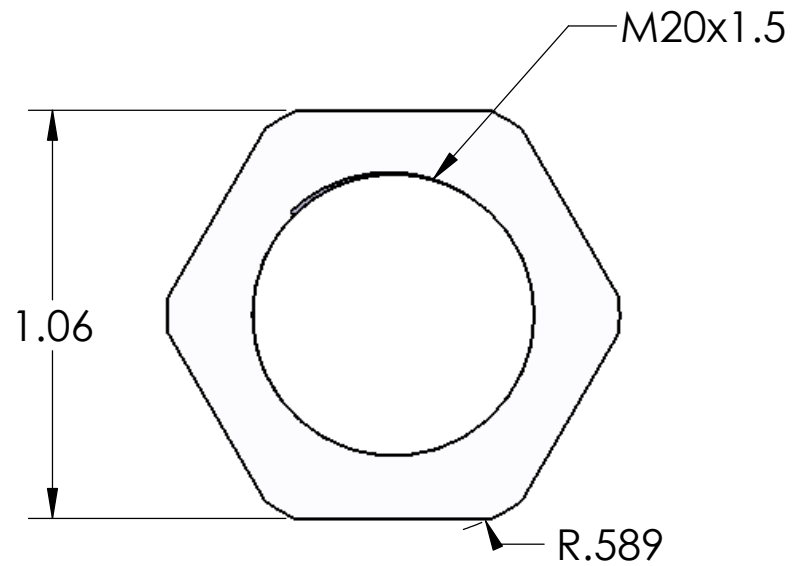
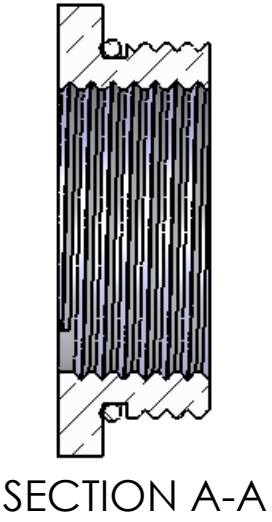


8 7 6 5 4 3 2 1

REVISIONS			
REV.	DESCRIPTION	DATE	APPROVED
A	REDRAWN IN SW	2/22/2005	



MATERIALS:	
BODY:	NICKEL PLATED BRASS
O-RING:	NBR

PROPRIETARY AND CONFIDENTIAL
 THE INFORMATION CONTAINED IN THIS DRAWING IS THE SOLE PROPERTY OF MENCOM CORPORATION. ANY REPRODUCTION IN PART OR AS A WHOLE WITHOUT THE WRITTEN PERMISSION OF MENCOM CORPORATION IS PROHIBITED.

		UNLESS OTHERWISE SPECIFIED:		NAME
		DIMENSIONS ARE IN INCHES	DRAWN	BEM
			CHECKED	
			ENG APPR.	
			MFG APPR.	
			Q.A.	
			COMMENTS:	
		MATERIAL		
		FINISH		
		DO NOT SCALE DRAWING		

MENCOM CORPORATION		
TITLE:		
M25 MALE TO M20 FEM ADAPTER		
SIZE	DWG. NO.	REV
B	CEC-M20	A
SCALE: 2:1	WEIGHT:	SHEET 1 OF 1

D
C
B
A

D
C
B
A

8 7 6 5 4 3 2 1