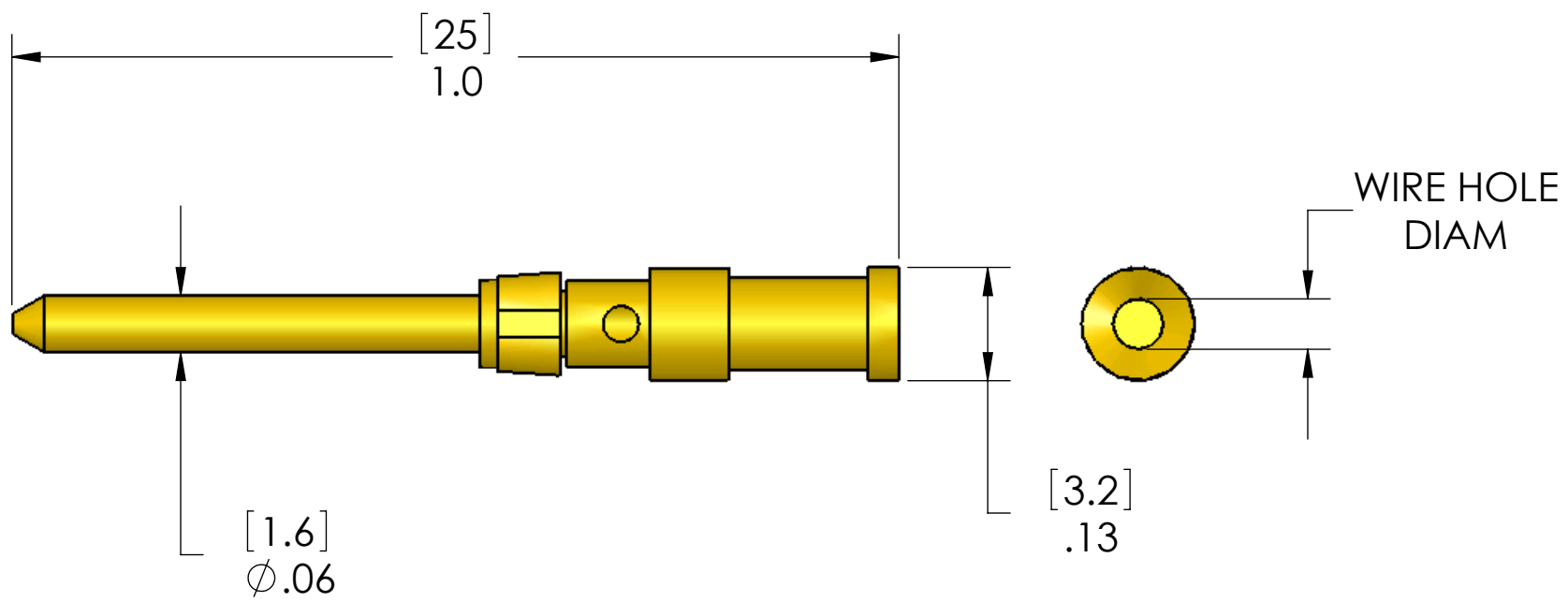


REVISIONS			
REV.	DESCRIPTION	DATE	APPROVED
A	redrawn in sw	5/31/2005	



PART NUMBER	WIRE AVG	WIRE HOLE DIAM	SQ MM
CDMD-0.3	22 - 26	0.035 [0.9]	0.3
CDMD-0.5	20	0.043 [1.1]	0.5
CDMD-0.7	18	0.051 [1.3]	0.75
CDMD-1.0	18	0.057 [1.45]	1.0
CDMD-1.5	16	0.071 [1.8]	1.5
CDMD-2.5	14	0.087 [2.2]	2.5

SUGGESTED WIRE STRIP LENGTH: 0.31 [8]

MATERIALS	
BODY:	GOLD PLATED COPPER ALLOY
CLIP:	STAINLESS STEEL

PROPRIETARY AND CONFIDENTIAL
 THE INFORMATION CONTAINED IN THIS DRAWING IS THE SOLE PROPERTY OF MENCOM CORPORATION. ANY REPRODUCTION IN PART OR AS A WHOLE WITHOUT THE WRITTEN PERMISSION OF MENCOM CORPORATION IS PROHIBITED.

UNLESS OTHERWISE SPECIFIED:
 DIMENSIONS ARE IN INCHES AND [MM]
 MATERIAL
 FINISH
 DO NOT SCALE DRAWING

NAME	BEM
DRAWN	
CHECKED	
ENG APPR.	
MFG APPR.	
Q.A.	
COMMENTS:	

MENCOM CORPORATION		
TITLE:		
SIZE	DWG. NO.	REV
B	CDMD-X.X	A
SCALE: 5:1	WEIGHT:	SHEET 1 OF 1