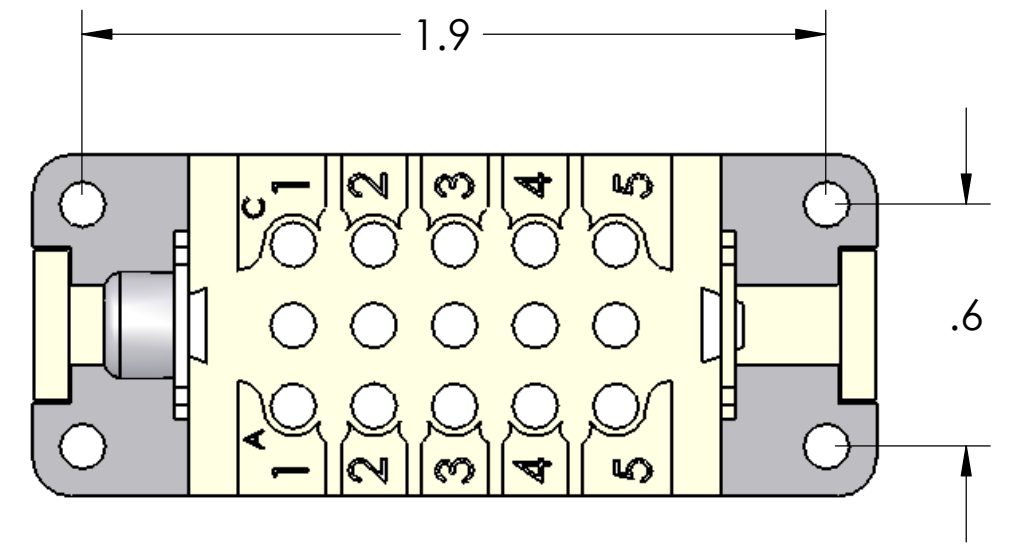
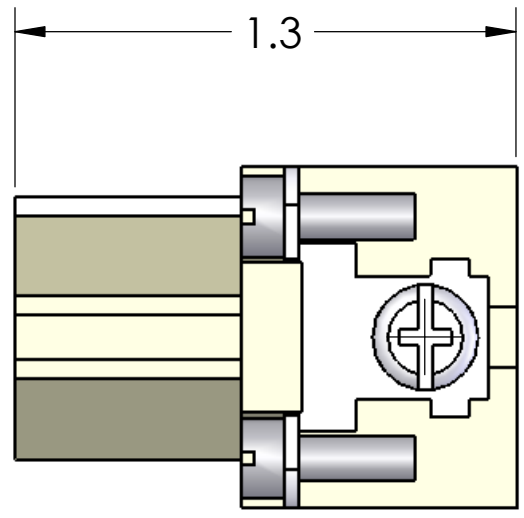
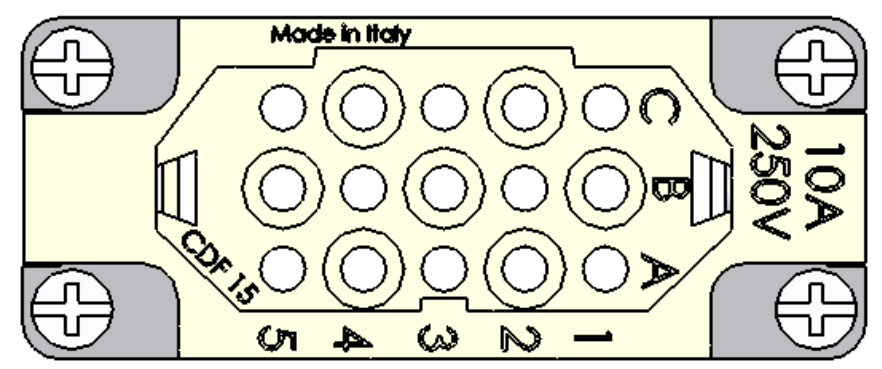


REVISIONS			
REV.	DESCRIPTION	DATE	APPROVED
A	INITIAL RELEASE	4/28/2005	BEM



MATERIALS	
HOUSING:	GLASS REINFORCED THERMOPLASTIC
	NICKEL PLATED BRASS HARDWARE
SCREWS:	NICKEL PLATED BRASS
RATINGS:	UL - 600V, 10A. EN 250V/4kV/3, 10A
APPROVALS:	UL & CSA

PROPRIETARY AND CONFIDENTIAL
 THE INFORMATION CONTAINED IN THIS DRAWING IS THE SOLE PROPERTY OF MENCOM CORPORATION. ANY REPRODUCTION IN PART OR AS A WHOLE WITHOUT THE WRITTEN PERMISSION OF MENCOM CORPORATION IS PROHIBITED.

		UNLESS OTHERWISE SPECIFIED:		NAME
		DIMENSIONS ARE IN INCHES	DRAWN	CAM
		TOLERANCES:	CHECKED	
		FRACTIONAL ±1/64	ENG APPR.	
		ANGULAR: MACH ±5° BEND ±5°	MFG APPR.	
		TWO PLACE DECIMAL ±.01	Q.A.	
		THREE PLACE DECIMAL ±.004	COMMENTS:	
		MATERIAL		
		FINISH		
		DO NOT SCALE DRAWING		

MENCOM CORPORATION		
TITLE:		
SIZE	DWG. NO.	REV
B	CDF-15	A
SCALE: 2:1	WEIGHT:	SHEET 1 OF 1