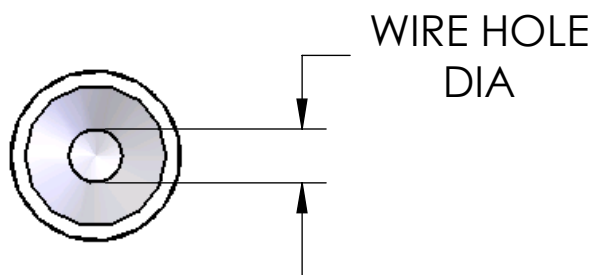
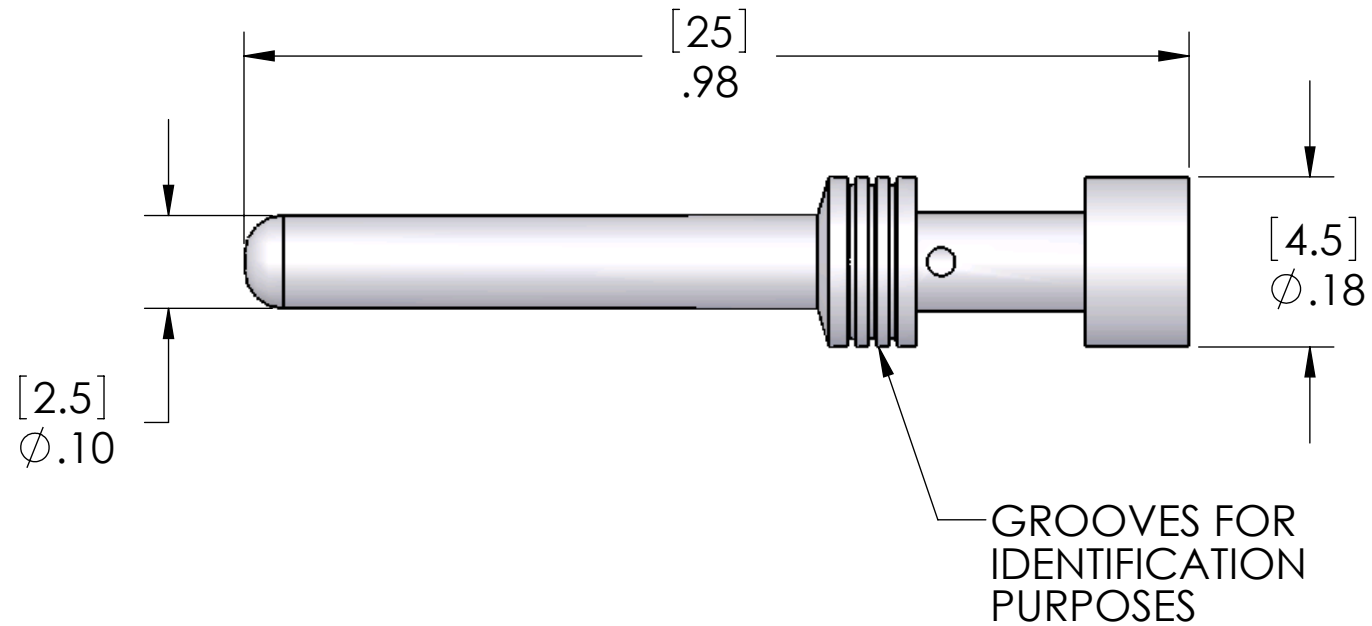


REVISIONS			
REV.	DESCRIPTION	DATE	APPROVED
A	REDRAWN IN SW	2/24/2006	BEM



PART NUMBER	WIRE AVG	WIRE HOLE DIAM	SQ. MM	# OF GROOVES
CCMA-0.5	20	0.043 [1.1]	0.5	0
CCMA-1.0	18	0.057 [1.45]	1.0	1
CCMA-1.5	16	0.071 [1.8]	1.5	2
CCMA-2.5	14	0.087 [2.2]	2.5	3
CCMA-4.0	12	0.112 [2.85]	4.0	0

SUGGESTED WIRE STRIP: 0.30 [7.5]
 SUGGESTED CRIMP TOOL:
 CCPZ-MIL w/ CCTP-16 LOCATOR
 SUGGESTED REMOVAL TOOL:
 CQES

MATERIALS	
BODY:	SILVER PLATED COPPER ALLOY

PROPRIETARY AND CONFIDENTIAL
 THE INFORMATION CONTAINED IN THIS DRAWING IS THE SOLE PROPERTY OF MENCOM CORPORATION. ANY REPRODUCTION IN PART OR AS A WHOLE WITHOUT THE WRITTEN PERMISSION OF MENCOM CORPORATION IS PROHIBITED.

UNLESS OTHERWISE SPECIFIED:
 DIMENSIONS ARE IN INCHES AND [MM]
 MATERIAL
 FINISH
 DO NOT SCALE DRAWING

NAME	BEM
DRAWN	
CHECKED	
ENG APPR.	
MFG APPR.	
Q.A.	
COMMENTS:	

MENCOM CORPORATION		
TITLE:		
SIZE	DWG. NO.	REV
B	CCMA-X.X	A
SCALE: 5:1	WEIGHT:	SHEET 1 OF 1