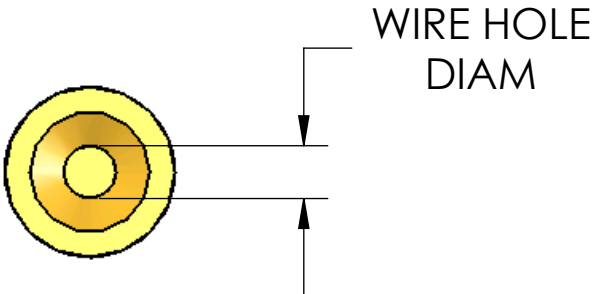
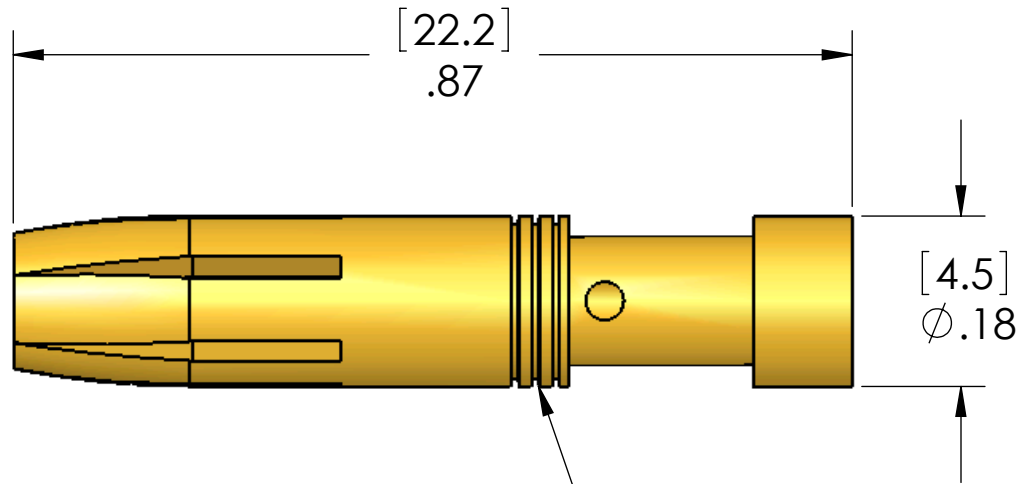


REVISIONS			
REV.	DESCRIPTION	DATE	APPROVED
A	REDRAWN IN SW	7/26/2006	



WIRE HOLE
DIAM

GROOVES FOR
IDENTIFICATION
PURPOSES

SUGGESTED WIRE STRIP: 0.30 [7.5]
 SUGGESTED CRIMP TOOL:
 CCPZ-MIL w/ CCTP-16 LOCATOR
 SUGGESTED REMOVAL TOOL:
 CQES

PART NUMBER	WIRE AVG	WIRE HOLE DIAM	SQ. MM	# OF GROOVES
CCFD-0.5	20	0.043 [1.1]	0.5	0
CCFD-1.0	18	0.057 [1.45]	1.0	1
CCFD-1.5	16	0.071 [1.8]	1.5	2
CCFD-2.5	14	0.087 [2.2]	2.5	3
CCFD-4.0	12	0.112 [2.85]	4.0	0

MATERIALS	
BODY:	GOLD PLATED COPPER ALLOY

PROPRIETARY AND CONFIDENTIAL
 THE INFORMATION CONTAINED IN THIS
 DRAWING IS THE SOLE PROPERTY OF
 MENCOM CORPORATION. ANY
 REPRODUCTION IN PART OR AS A WHOLE
 WITHOUT THE WRITTEN PERMISSION OF
 MENCOM CORPORATION IS
 PROHIBITED.

UNLESS OTHERWISE SPECIFIED:		NAME
DIMENSIONS ARE IN INCHES AND [MM]		DWM
DRAWN		
CHECKED		
ENG APPR.		
MFG APPR.		
Q.A.		
COMMENTS:		
MATERIAL		
FINISH		
DO NOT SCALE DRAWING		

MENCOM CORPORATION		
TITLE:		
SIZE	DWG. NO.	REV
B	CCFD-X.X	A
SCALE: 5:1	WEIGHT:	SHEET 1 OF 1