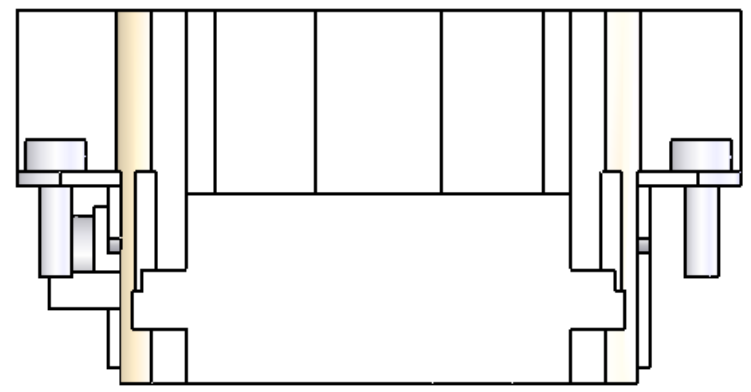
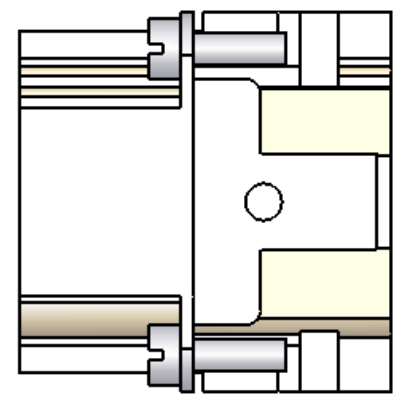
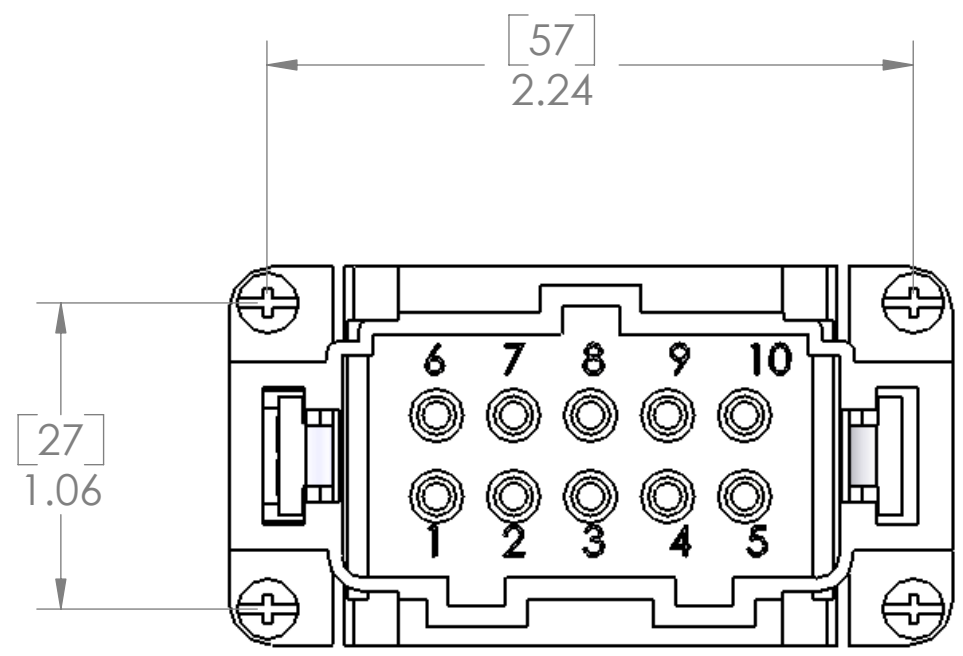


8 7 6 5 4 3 2 1

REVISIONS			
REV.	DESCRIPTION	DATE	APPROVED
A	REDRAWN IN SW	7/26/2006	



USE WITH ILME CRIMP CONTACTS: CCMA-X.X

MATERIALS	
HOUSING:	GLASS REINFORCED THERMOPLASTIC NICKEL PLATED BRASS HARDWARE
SCREWS:	NICKEL PLATED BRASS
RATINGS:	UL - 600V, 16A. EN 500V/6kV/3, 16A
APPROVALS:	UL & CSA

PROPRIETARY AND CONFIDENTIAL
THE INFORMATION CONTAINED IN THIS DRAWING IS THE SOLE PROPERTY OF MENCOM CORPORATION. ANY REPRODUCTION IN PART OR AS A WHOLE WITHOUT THE WRITTEN PERMISSION OF MENCOM CORPORATION IS PROHIBITED.

UNLESS OTHERWISE SPECIFIED:		NAME	
DIMENSIONS ARE IN INCHES AND [MM]	DRAWN	DWM	
	CHECKED		
	ENG APPR.		
	MFG APPR.		
	Q.A.		
MATERIAL	COMMENTS:		
FINISH			
DO NOT SCALE DRAWING			

MENCOM CORPORATION			
TITLE: 10 POLE MALE CRIMP INSERT 16A			
SIZE B	DWG. NO. CCEM-10	REV A	
SCALE: 3:2	WEIGHT:	SHEET 1 OF 1	

8 7 6 5 4 3 2 1