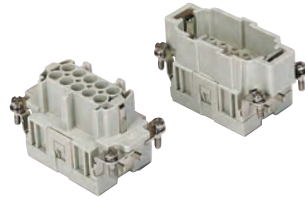


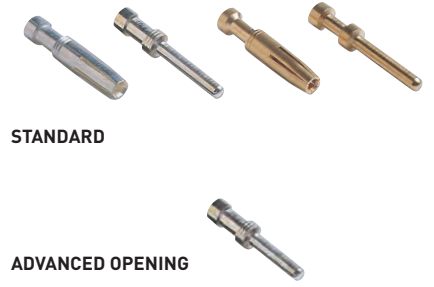
CCE 10 poles + ⊕ 16A - 500V

enclosures: size "57.27"	page:
C-TYPE IP65/IP66	393 - 401
C7 IP67, two levers	438
V-TYPE IP65/IP66, single lever	448 - 453
BIG hoods	468 - 469
T-TYPE IP65 insulating	482 - 483
T-TYPE / W IP66/IP69 insulating	490
HYGIENIC T-TYPE / H IP66/IP69	502
HYGIENIC T-TYPE / C IP66/IP69, -50 °C	507
W-TYPE for aggressive environments	522
E-Xtreme® corrosion proof	532 - 533, 543, 552 - 553
EMC	579
Central lever	606 - 608
LS-TYPE	620 - 621
IP68	636 - 639
panel supports: COB	page: 652 - 653

inserts, crimp connections



16A crimp contacts
standard or for advanced opening
silver and gold plated



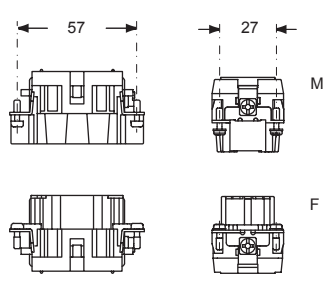
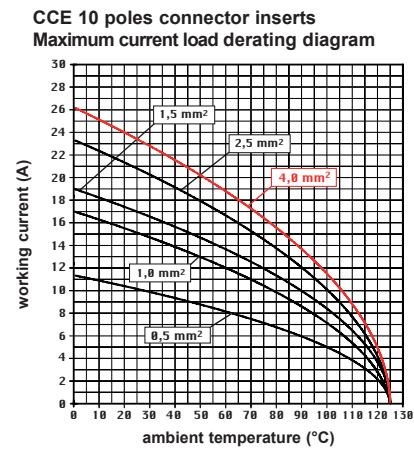
description	part No.	part No.
without contacts (to be ordered separately)		
female inserts for female contacts	CCEF 10	
male inserts for male contacts	CCEM 10	
16A female contacts		
0,14-0,37 mm ² AWG 26-22 one groove		CCFA 0.3
0,5 mm ² AWG 20 with no grooves		CCFA 0.5
0,75 mm ² AWG 18 one groove (back side)		CCFA 0.7
1 mm ² AWG 18 one groove		CCFA 1.0
1,5 mm ² AWG 16 two grooves		CCFA 1.5
2,5 mm ² AWG 14 three grooves		CCFA 2.5
3 mm ² AWG 12 one wide groove		CCFA 3.0
4 mm ² AWG 12 with no grooves		CCFA 4.0
16A male contacts		
0,14-0,37 mm ² AWG 26-22 one groove		CCMA 0.3
0,5 mm ² AWG 20 with no grooves		CCMA 0.5
0,75 mm ² AWG 18 one groove (back side)		CCMA 0.7
1 mm ² AWG 18 one groove		CCMA 1.0
1,5 mm ² AWG 16t wo grooves		CCMA 1.5
2,5 mm ² AWG 14 three grooves		CCMA 2.5
3 mm ² AWG 12 one wide groove		CCMA 3.0
4 mm ² AWG 12 with no grooves		CCMA 4.0
16A male crimp contacts for advanced opening		
0,5 mm ² AWG 20 with no grooves		CC 0.5 AN
0,75 mm ² AWG 18 one groove (back side)		CC 0.7 AN
1 mm ² AWG 18 one groove		CC 1.0 AN
1,5 mm ² AWG 16 two grooves		CC 1.5 AN
2,5 mm ² AWG 14 three grooves		CC 2.5 AN
		CCFA 0.3
		CCFA 0.5
		CCFA 0.7
		CCFA 1.0
		CCFA 1.5
		CCFA 2.5
		CCFA 3.0
		CCFA 4.0
		CCMA 0.3
		CCMA 0.5
		CCMA 0.7
		CCMA 1.0
		CCMA 1.5
		CCMA 2.5
		CCMA 3.0
		CCMA 4.0
		CCMD 0.3
		CCMD 0.5
		CCMD 0.7
		CCMD 1.0
		CCMD 1.5
		CCMD 2.5
		CCMD 3.0
		CCMD 4.0

silver plated

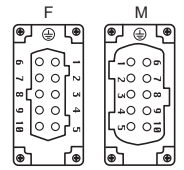
gold plated+

* for basic or high thickness gold plating, please refer to page 675

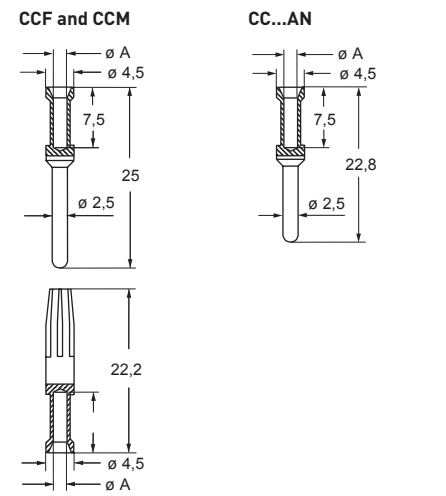
- characteristics according to EN 61984:
16A 500V 6kV 3
16A 400/690V 6kV 2
- certified
- rated voltage according to UL/CSA: 600V
- insulation resistance: ≥ 10 GΩ
- ambient temperature limit: -40 °C ... +125 °C
- made of self-extinguishing thermoplastic resin UL 94V-0
- mechanical life: ≥ 500 cycles
- contact resistance: ≤ 1 mΩ
- for max. current load see the connector inserts derating diagram below; for more information see page 28



contacts side (front view)



- it is recommended to crimp the contacts with crimping tools homologated by ILME (please see the crimping tool section 16A contacts, CCF, CCM and CC...AN series on pages 708 - 741)



CCF, CCM and CC...AN contacts

conductor section mm ²	conductor slot ø A (mm)	conductors stripping length (mm)
0,14-0,37	0,9	7,5
0,5	1,1	7,5
0,75	1,3	7,5
1,0	1,45	7,5
1,5	1,8	7,5
2,5	2,2	7,5
3	2,55	7,5
4	2,85	7,5