

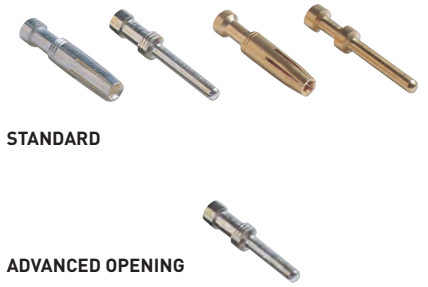
# CCE 6 poles + ⊕ 16A - 500V

|                                       |                           |
|---------------------------------------|---------------------------|
| enclosures:<br>size "44.27"           | page:                     |
| C-TYPE IP65/IP66                      | 387 - 392                 |
| C7 IP67, single lever                 | 436 - 437                 |
| V-TYPE IP65/IP66, single lever        | 444 - 447                 |
| BIG hoods                             | 466 - 467                 |
| T-TYPE IP65 insulating                | 480 - 481                 |
| T-TYPE / W IP66/IP69 insulating       | 489                       |
| HYGIENIC T-TYPE / H IP66/IP69         | 501                       |
| HYGIENIC T-TYPE / C IP66/IP69, -50 °C | 506                       |
| W-TYPE for aggressive environments    | 521                       |
| E-Xtreme® corrosion proof             | 530 - 531, 542, 550 - 551 |
| EMC                                   | 578                       |
| Central lever                         | 603 - 605                 |
| LS-TYPE                               | 618 - 619                 |
| IP68                                  | 632 - 635                 |
| panel supports:<br>COB                | page:<br>652 - 653        |

inserts, crimp connections



16A crimp contacts  
standard or for advanced opening  
silver and gold plated



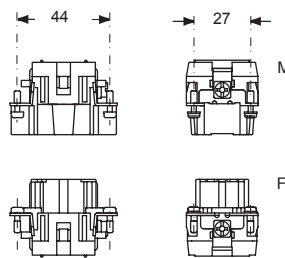
| description | part No. | part No. |
|-------------|----------|----------|
|-------------|----------|----------|

without contacts (to be ordered separately)  
female inserts for female contacts  
male inserts for male contacts

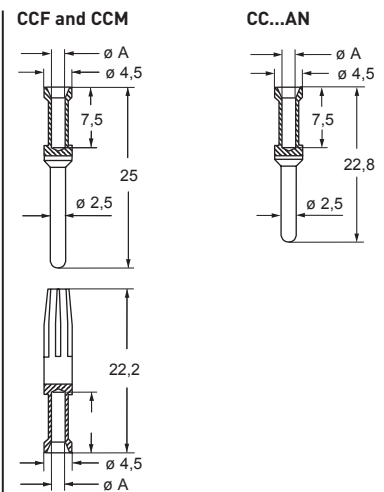
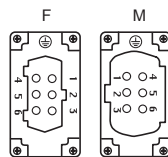
CCEF 06  
CCEM 06

|  |                        |           |  |
|--|------------------------|-----------|--|
| 16A female contacts                          |                        |           |  |
| 0,14-0,37 mm <sup>2</sup> AWG 26-22          | one groove             | CCFA 0.3  | CCFD 0.3   |
| 0,5 mm <sup>2</sup> AWG 20                   | with no grooves        | CCFA 0.5  | CCFD 0.5   |
| 0,75 mm <sup>2</sup> AWG 18                  | one groove (back side) | CCFA 0.7  | CCFD 0.7   |
| 1 mm <sup>2</sup> AWG 18                     | one groove             | CCFA 1.0  | CCFD 1.0   |
| 1,5 mm <sup>2</sup> AWG 16                   | two grooves            | CCFA 1.5  | CCFD 1.5   |
| 2,5 mm <sup>2</sup> AWG 14                   | three grooves          | CCFA 2.5  | CCFD 2.5   |
| 3 mm <sup>2</sup> AWG 12                     | one wide groove        | CCFA 3.0  | CCFD 3.0   |
| 4 mm <sup>2</sup> AWG 12                     | with no grooves        | CCFA 4.0  | CCFD 4.0   |
| 16A male contacts                            |                        |           |  |
| 0,14-0,37 mm <sup>2</sup> AWG 26-22          | one groove             | CCMA 0.3  | CCMD 0.3   |
| 0,5 mm <sup>2</sup> AWG 20                   | with no grooves        | CCMA 0.5  | CCMD 0.5   |
| 0,75 mm <sup>2</sup> AWG 18                  | one groove (back side) | CCMA 0.7  | CCMD 0.7   |
| 1 mm <sup>2</sup> AWG 18                     | one groove             | CCMA 1.0  | CCMD 1.0   |
| 1,5 mm <sup>2</sup> AWG 16t                  | wo grooves             | CCMA 1.5  | CCMD 1.5   |
| 2,5 mm <sup>2</sup> AWG 14                   | three grooves          | CCMA 2.5  | CCMD 2.5   |
| 3 mm <sup>2</sup> AWG 12                     | one wide groove        | CCMA 3.0  | CCMD 3.0   |
| 4 mm <sup>2</sup> AWG 12                     | with no grooves        | CCMA 4.0  | CCMD 4.0   |
| 16A male crimp contacts for advanced opening |                        |           |  |
| 0,5 mm <sup>2</sup> AWG 20                   | with no grooves        | CC 0.5 AN | * for basic or high thickness gold plating, please refer to page 675 |
| 0,75 mm <sup>2</sup> AWG 18                  | one groove (back side) | CC 0.7 AN |  |
| 1 mm <sup>2</sup> AWG 18                     | one groove             | CC 1.0 AN |  |
| 1,5 mm <sup>2</sup> AWG 16                   | two grooves            | CC 1.5 AN |  |
| 2,5 mm <sup>2</sup> AWG 14                   | three grooves          | CC 2.5 AN |  |

- characteristics according to EN 61984:  
**16A 500V 6kV 3**  
**16A 400/690V 6kV 2**
- certified
- rated voltage according to UL/CSA: 600V
- insulation resistance: ≥ 10 GΩ
- ambient temperature limit: -40 °C ... +125 °C
- made of self-extinguishing thermoplastic resin UL 94V-0
- mechanical life: ≥ 500 cycles
- contact resistance: ≤ 1 mΩ
- for max. current load see the connector inserts derating diagram below; for more information see page 28

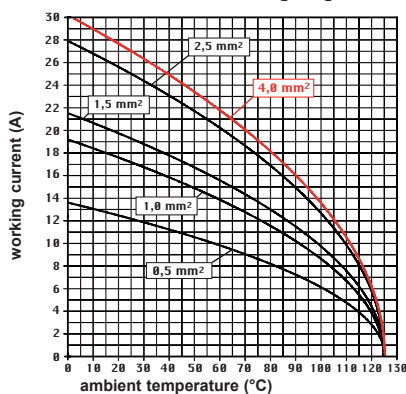


contacts side (front view)



| CCF, CCM and CC...AN contacts     |                                     |                                  |
|-----------------------------------|-------------------------------------|----------------------------------|
| conductor section mm <sup>2</sup> | conductor slot $\varnothing A$ (mm) | conductors stripping length (mm) |
| 0,14-0,37                         | 0,9                                 | 7,5                              |
| 0,5                               | 1,1                                 | 7,5                              |
| 0,75                              | 1,3                                 | 7,5                              |
| 1,0                               | 1,45                                | 7,5                              |
| 1,5                               | 1,8                                 | 7,5                              |
| 2,5                               | 2,2                                 | 7,5                              |
| 3                                 | 2,55                                | 7,5                              |
| 4                                 | 2,85                                | 7,5                              |

CCE 06 poles connector inserts  
Maximum current load derating diagram



- it is recommended to crimp the contacts with crimping tools homologated by ILME (please see the crimping tool section 16A contacts, CCF, CCM and CC...AN series on pages 708 - 741)