

# CA and MA - CI and MI CENTRAL LEVER

inserts		page:
CD	64 poles + ⊕	72
CDD	108 poles + ⊕	81
CDS	42 poles + ⊕	-
CDSH	42 poles + ⊕	89
CNE	24 poles + ⊕	113
CSE	24 poles + ⊕	-
CSH	24 poles + ⊕	113
CSH S	24 poles + ⊕	125
CCE	24 poles + ⊕	133
CMSH	10+2 (aux) poles + ⊕	140
CMCE	10+2 (aux) poles + ⊕	141
CSS	24 poles + ⊕	151
CQE	46 poles + ⊕	171
CQEE	64 poles + ⊕	177
CX	4/8 and 6/6 poles + ⊕	204, 206
MIXO	6 modules	262 - 317

## hoods with central lever



## inclined hoods with central lever

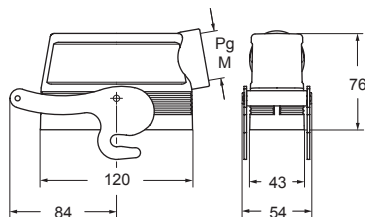


description	part No.		entry Pg		part No.		entry M	
side entry, high construction	CAO 24 YX21	21	MAO 24 YX32	32				
side entry, high construction	CAO 24 YX29	29	MAO 24 YX40	40				
top entry, high construction	CAV 24 YX21	21	MAV 24 YX32	32				
top entry, high construction	CAV 24 YX29	29	MAV 24 YX40	40				
side entry, high construction					CIO 24 YX36	36	MIO 24 YX40	40
side entry, high construction							MIO 24 YX50	50
top entry, high construction							MIV 24 YX40	40
top entry, high construction					CIV 24 YX36	36	MIV 24 YX50	50

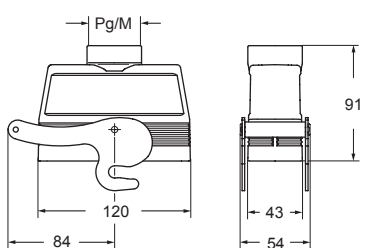
Even when coding is not required, it is recommended to use CRM and CRF pins with CD and CDD inserts and CRM CX and CRF CX pins with MIXO inserts to reduce movements when fitting and removing the connectors and to avoid contact damages.

Within this scope, the DIN 43 652 standard requires a maximum angular longitudinal fluctuation of ±5°.

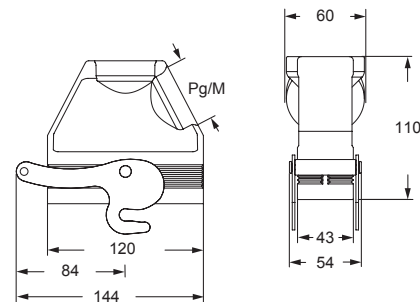
### CAO..YX and MAO..YX



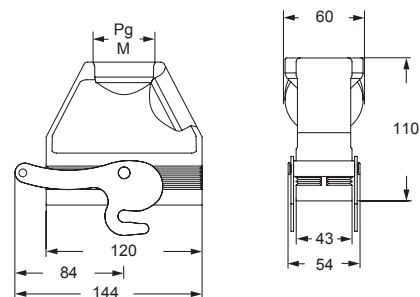
### CAV..YX and MAV..YX



### CIO..YX and MIO..YX



### CIV..YX and MIV..YX



**CRUS** Type 4/4X/12

