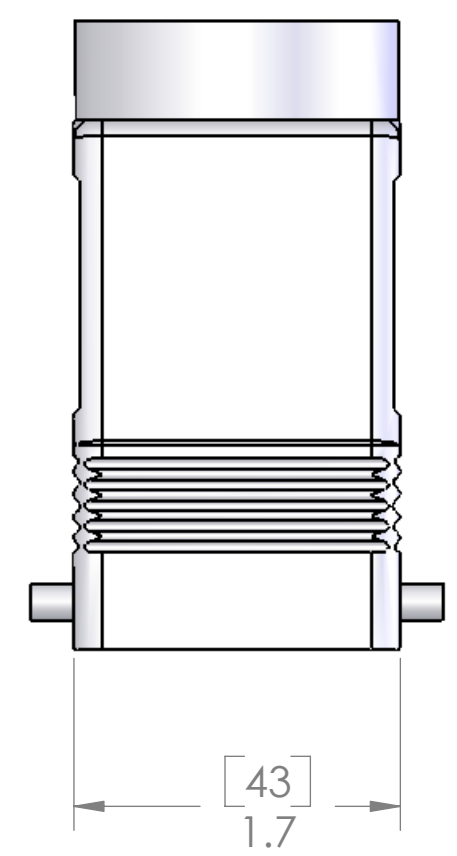
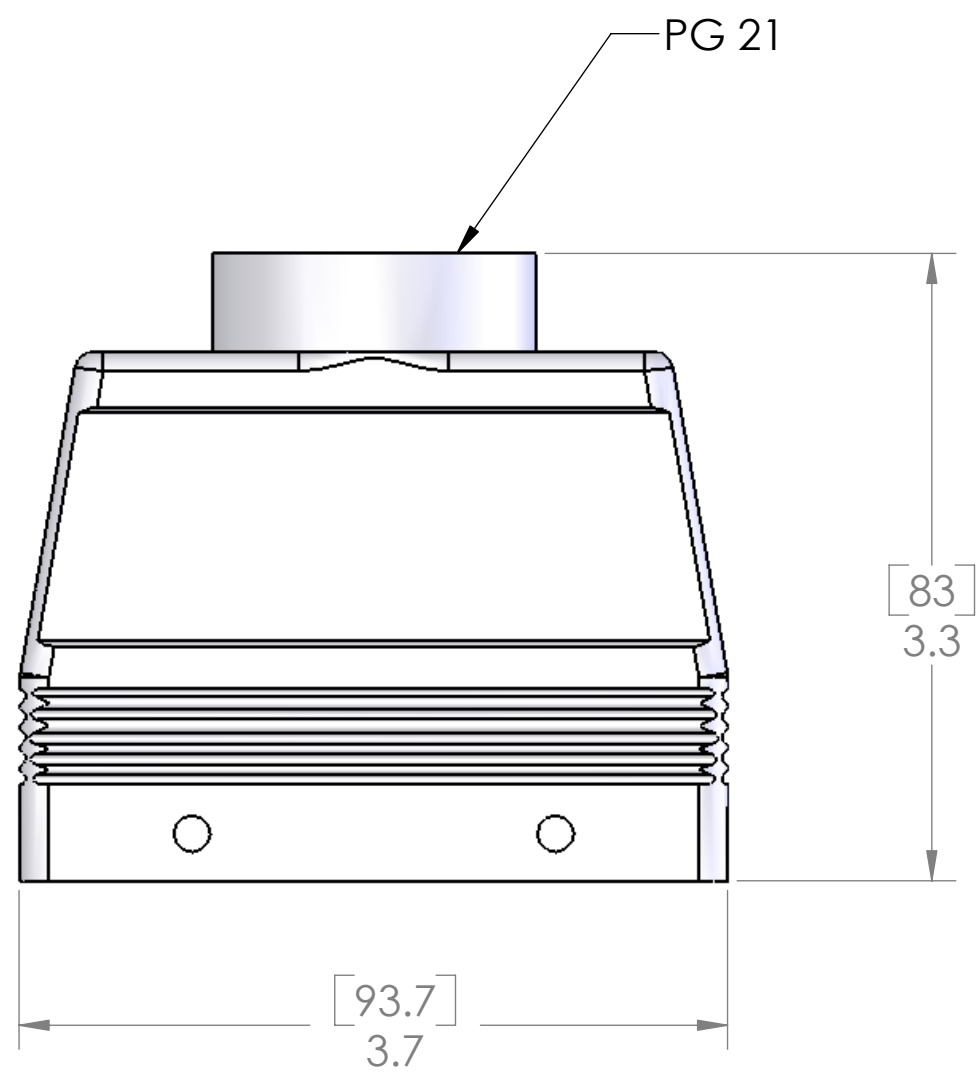


8 7 6 5 4 3 2 1

REVISIONS			
REV.	DESCRIPTION	DATE	APPROVED
A	REDRAWN IN SW	7/31/2006	

D
C
B
A

D
C
B
A



HOUSING MATERIALS	
BODY:	EPOXY COATED DIE CAST ALUMINUM

SEAL RATING OF IP 65 ONLY ACHIEVED WHEN FULLY LATCHED TO MATING BASE AND WITH AN APPROPRIATE SEALING GLAND INSTALLED

PROPRIETARY AND CONFIDENTIAL
THE INFORMATION CONTAINED IN THIS DRAWING IS THE SOLE PROPERTY OF MENCOM CORPORATION. ANY REPRODUCTION IN PART OR AS A WHOLE WITHOUT THE WRITTEN PERMISSION OF MENCOM CORPORATION IS PROHIBITED.

UNLESS OTHERWISE SPECIFIED: DIMENSIONS ARE IN INCHES AND [MM]	NAME DRAWN: DWM
	CHECKED:
	ENG APPR.:
	MFG APPR.:
	Q.A.:
MATERIAL:	COMMENTS:
FINISH:	
DO NOT SCALE DRAWING	

MENCOM CORPORATION		
TITLE:		
SIZE B	DWG. NO. CAV-16.21	REV A
SCALE: 1:1	WEIGHT:	SHEET 1 OF 1

8 7 6 5 4 3 2 1