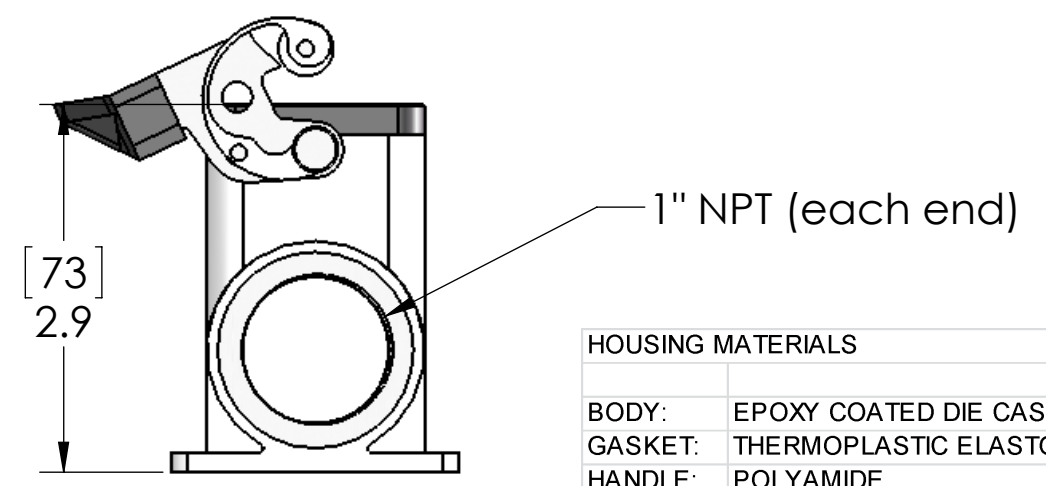
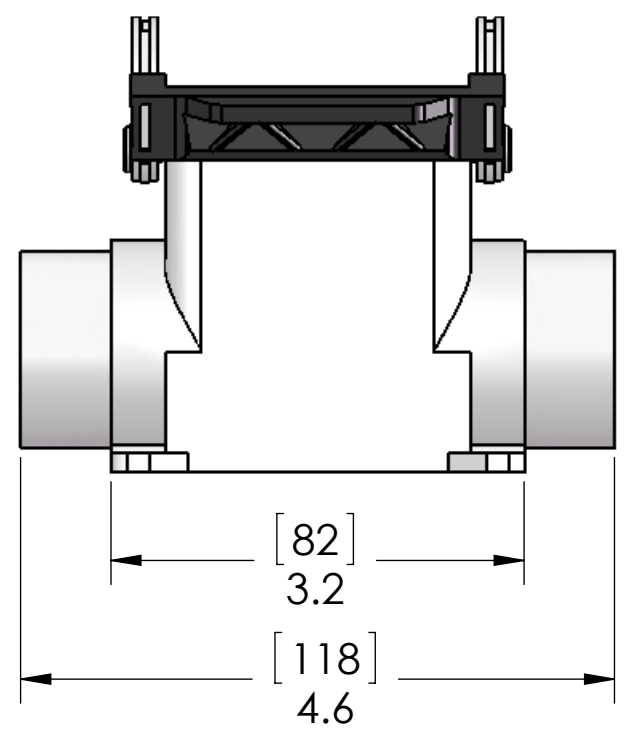
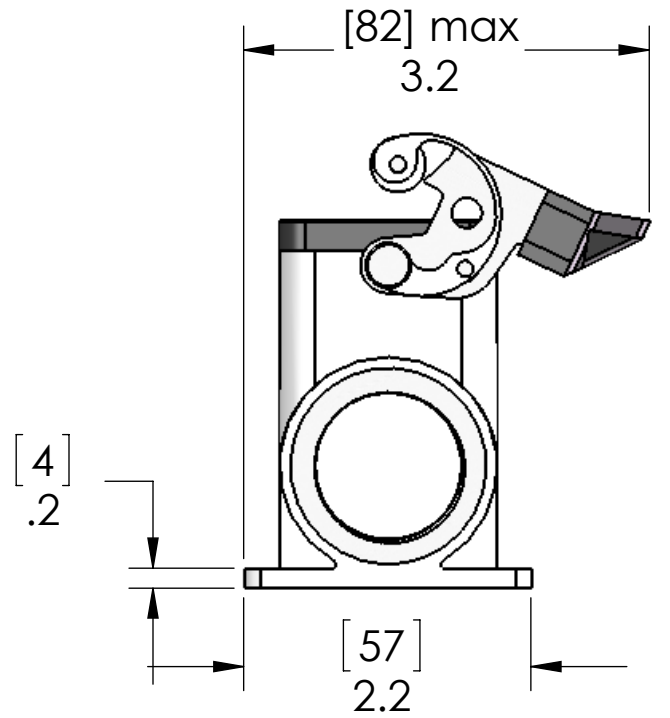
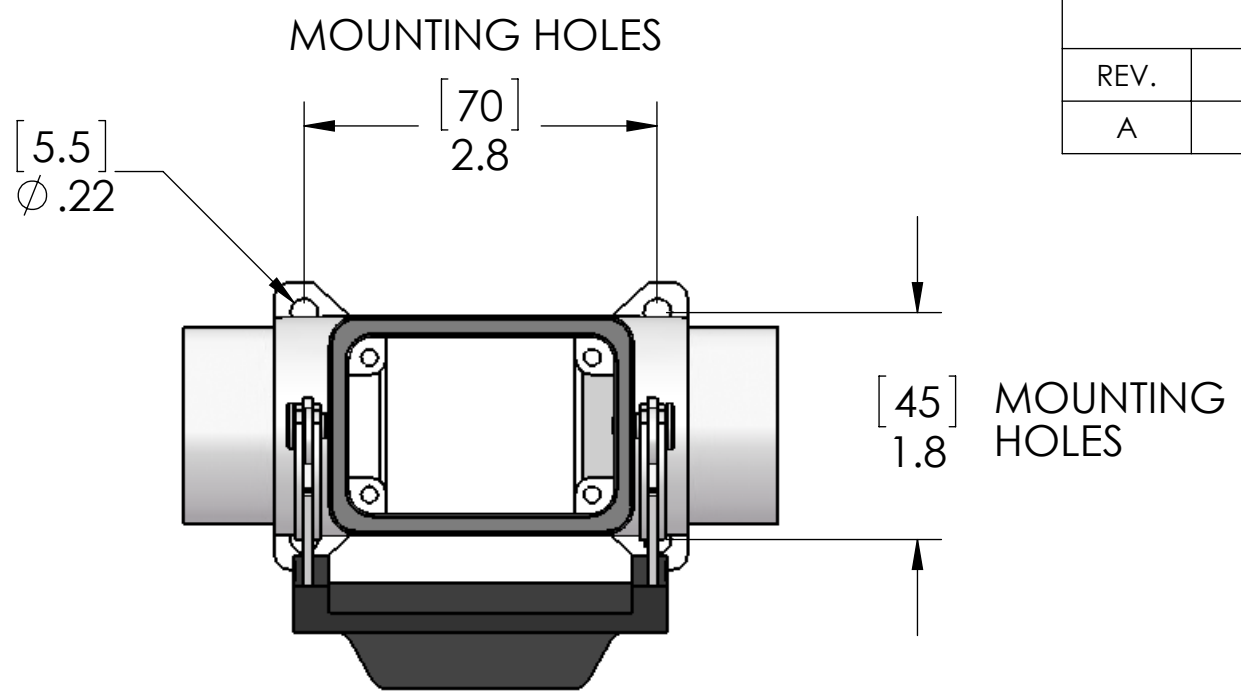


8 7 6 5 4 3 2 1

REVISIONS			
REV.	DESCRIPTION	DATE	APPROVED
A	REDRAWN IN SW	3/25/2015	BEM



HOUSING MATERIALS	
BODY:	EPOXY COATED DIE CAST ALUMINUM
GASKET:	THERMOPLASTIC ELASTOMER
HANDLE:	POLYAMIDE
LEVERS:	STAINLESS STEEL
FITTINGS:	NICKEL PLATED BRASS

SEAL RATING OF IP 65 ONLY ACHIEVED WHEN FULLY LATCHED TO MATING HOOD AND WITH APPROPRIATE SEALING GLANDS INSTALLED

PROPRIETARY AND CONFIDENTIAL
THE INFORMATION CONTAINED IN THIS DRAWING IS THE SOLE PROPERTY OF MENCOM CORPORATION. ANY REPRODUCTION IN PART OR AS A WHOLE WITHOUT THE WRITTEN PERMISSION OF MENCOM CORPORATION IS PROHIBITED.

UNLESS OTHERWISE SPECIFIED:	NAME
DIMENSIONS ARE IN INCHES AND [MM]	DRAWN JJH
	CHECKED
	ENG APPR.
	MFG APPR.
	Q.A.
	COMMENTS:
INTERPRET GEOMETRIC TOLERANCING PER:	
MATERIAL	
FINISH	
APPLICATION	DO NOT SCALE DRAWING

MENCOM CORPORATION		
TITLE: 6 POLE SURFACE MOUNT W/ SINGLE LEVER & COVER TWO - 1" NPT ENTRIES		
SIZE	DWG. NO.	REV
B	CAPT-06.4/2L	A
SCALE: 2:3	WEIGHT:	SHEET 1 OF 1

8 7 6 5 4 3 2 1